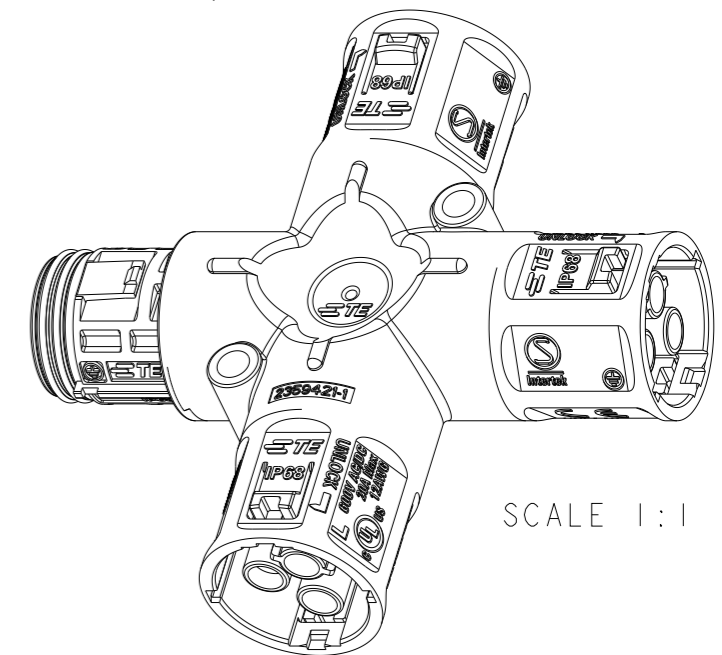


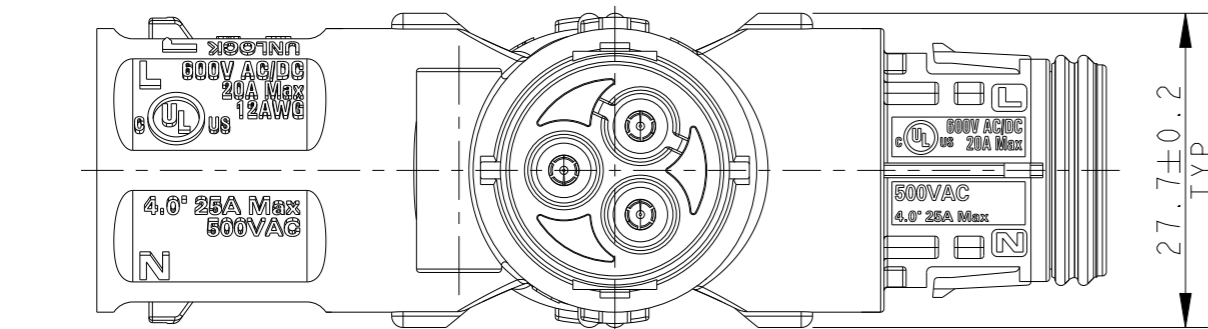
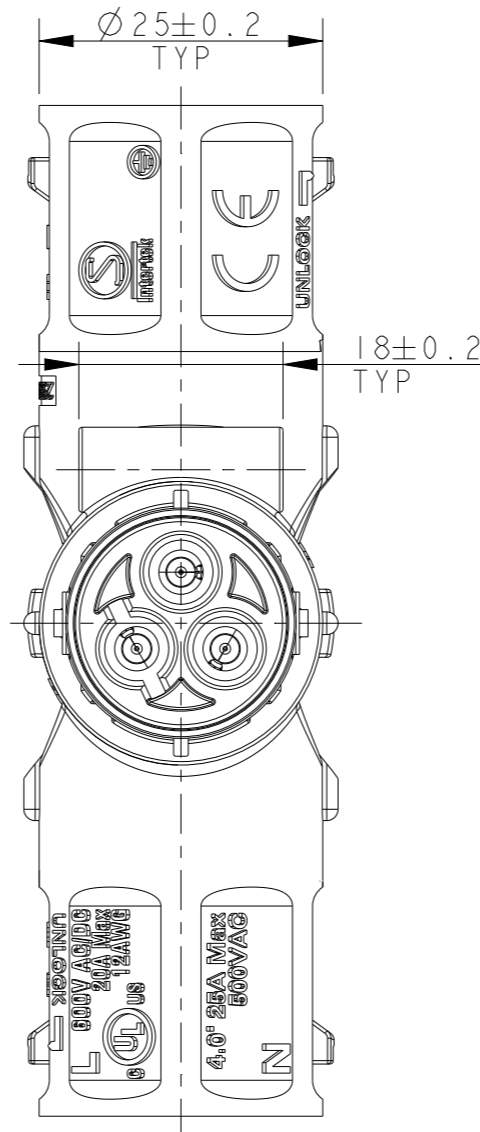
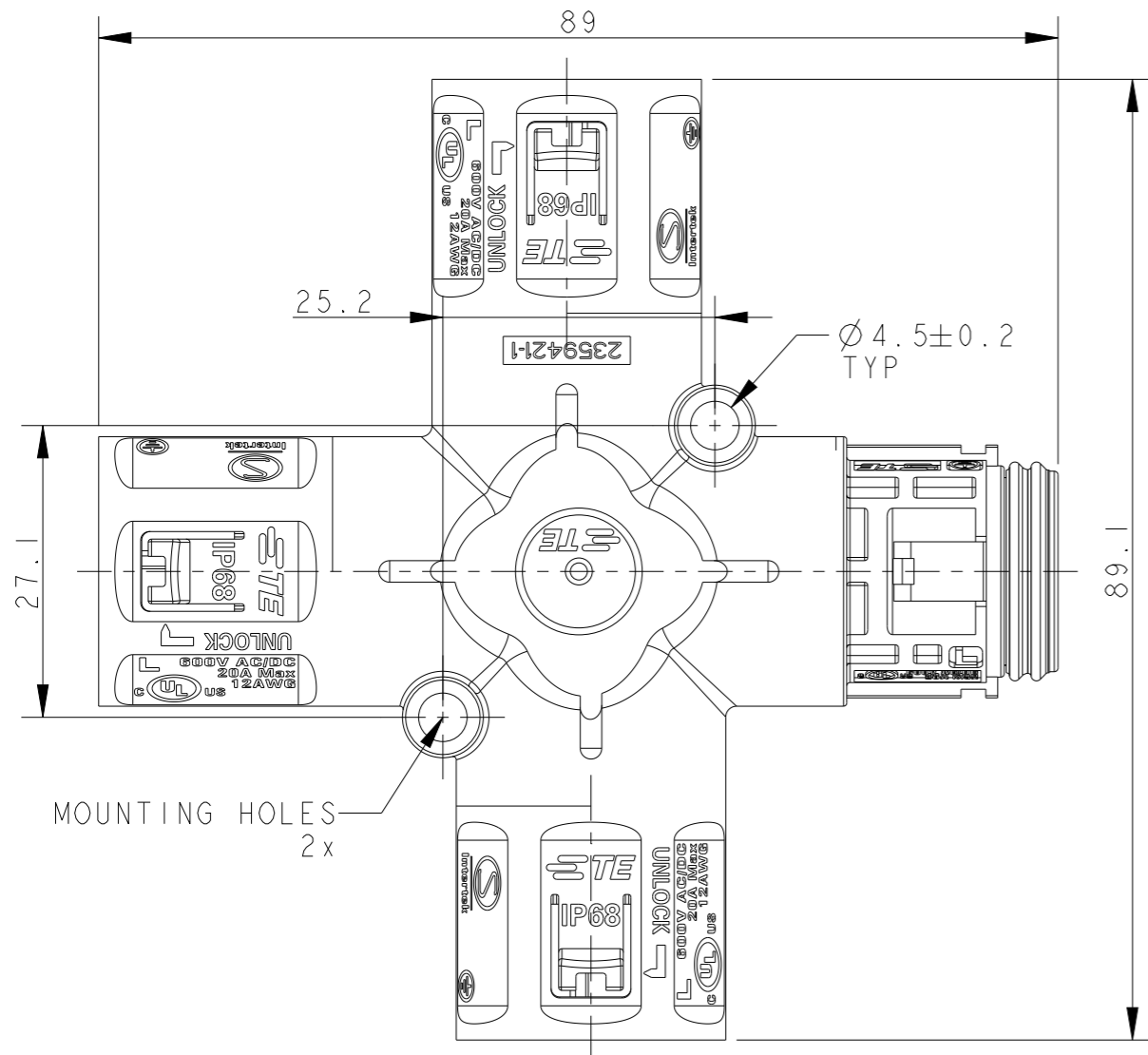
P	LTR	DESCRIPTION	DATE	DWN	APVD
1		INITIAL ISSUE	19AUG2020	SM	MZ
2		DRAFTING UPDATES	03SEP2020	SM	MZ
A		PRODUCT UNDER TESTING	24NOV2020	SM	MZ
AI		RELEASED	18MAR2022	SM	MZ

NOTES:

- MATERIALS:
PLASTICS: PBT+PC ALLOY, UL-V0, UV-FI
CONTACTS: COPPER ALLOY, TIN PLATED
- OPERATING RATINGS :
VOLTAGE (max): 600Vac Max
CURRENT (max): 25A ON 4.0mm² & 20A ON 12AWG
TEMPERATURE : -40°C TO 85°C
IP RATING : IP67 & IP68
- FOR ASSEMBLY INSTRUCTIONS, REFER APPLICATION SPECIFICATION 114-133123
- PACKAGING: PPQ 60 pcs IN TRAY

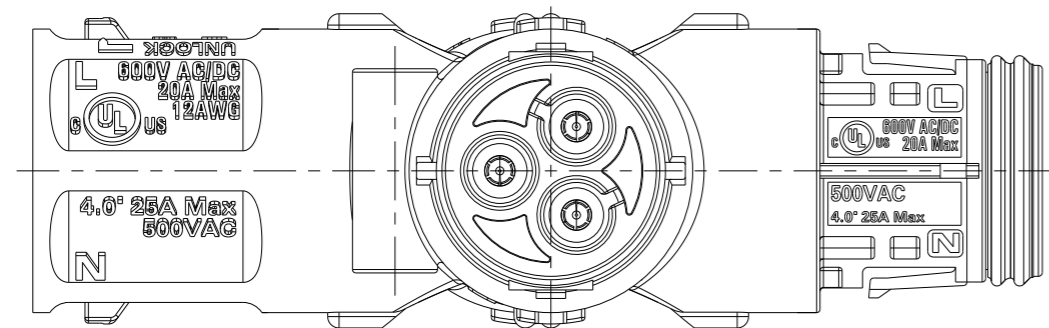


SCALE 1:1



POLARIZING KEY A
2359421-1

KEY B	DESCRIPTION	PART NUMBER
KEY A	MULTI SPLITTER	2359421-2
POLARIZING KEY		2359421-1



POLARIZING KEY B
2359421-2

THIS DRAWING IS A CONTROLLED DOCUMENT.

DIMENSIONS:	TOLERANCES UNLESS OTHERWISE SPECIFIED:
mm	
	±0.4
	±0.4
	±0.1
	±
	±
ANGLES	±°
MATERIAL	FINISH
-	-
-	-

DWN	SUBHASH.M	19AUG2020
CHK	M. ZUCCA	03SEP2020
APVD	PETER.OTT	24NOV2020
PRODUCT SPEC	108-133123	
APPLICATION SPEC	114-133123	
WEIGHT	-	
CUSTOMER DRAWING		

TE Connectivity		NAME		NECTOR T, 3Pos, MULTI SPLITTER	
		SIZE	CAGE CODE	DRAWING NO	RESTRICTED TO
A3		00779	C-2359421	-	
SCALE		3:2	SHEET	1 OF 1	REV
					AI