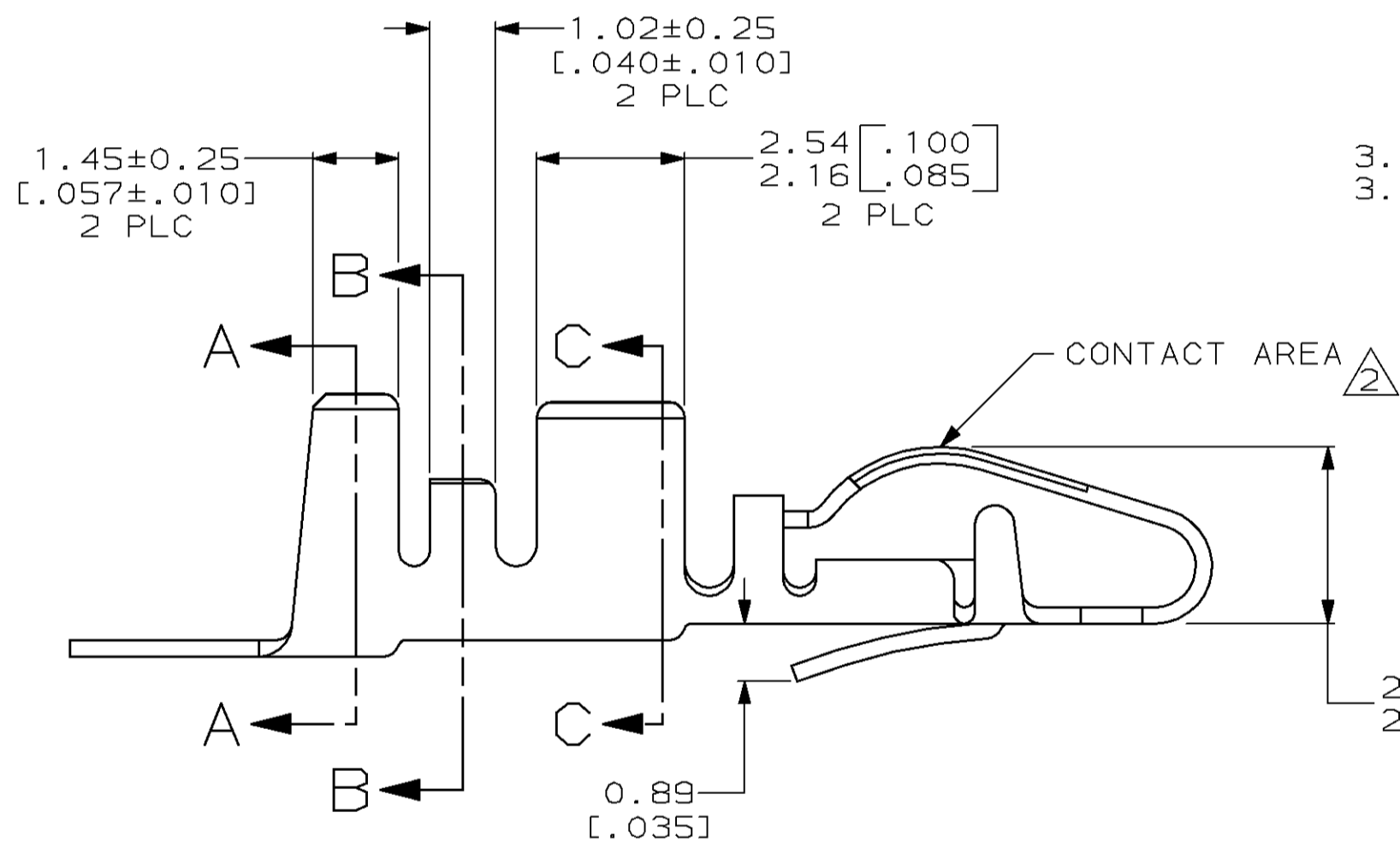
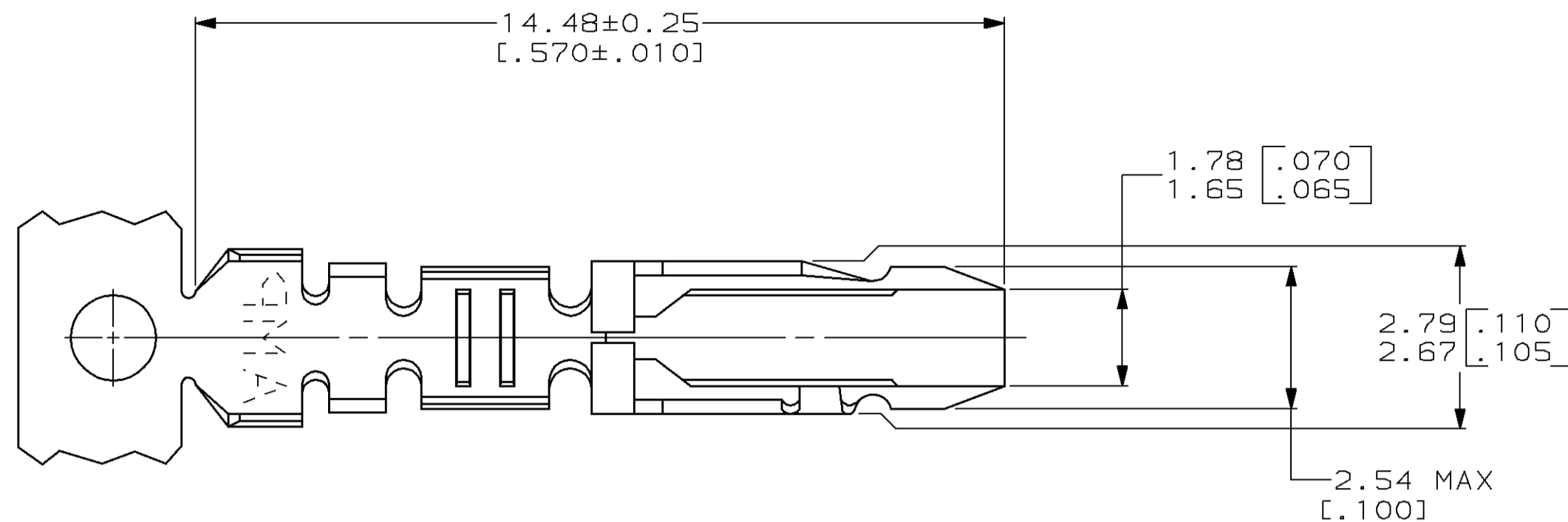


THIS DRAWING IS UNPUBLISHED. RELEASED FOR PUBLICATION
 © COPYRIGHT 19 BY AMP INCORPORATED. ALL RIGHTS RESERVED.

| LOC | | DIST | | REVISIONS | | | |
|-----|-----|-------------|--|---------------------------------------|-----------|------|---|
| P | LTR | DESCRIPTION | | DATE | DWN | APVD | |
| FT | 22 | W | | REDRAWN W/O CHANGE PER EC 0320-299-97 | 28 AUG 97 | - | - |



SECTION A-A

SECTION B-B

SECTION C-C

- 1 PHOSPHOR BRONZE.
- 2 0.76µm [.000030] MIN GOLD IN CONTACT AREA, GOLD FLASH ON REMAINDER OF CONTACT, BOTH OVER 1.27µm [.000050] MIN NICKEL.
- 3. REVERSE REELED (LEFT TO RIGHT FEED), FOR MINI-APPLICATOR.
- 4. INSULATION RANGE: 2.03 [.080] DIA.

| | | | | |
|--|--|--|---|--|
| THIS DRAWING IS A CONTROLLED DOCUMENT. | | DWN D. HARDY 28 AUG 97 | AMP Incorporated Harrisburg, PA 17105-3608 | |
| DIMENSIONS: mm [INCHES] | | CHK R. STONE 04 SEP 97 | NAME N. SCHROLL | |
| TOLERANCES UNLESS OTHERWISE SPECIFIED: | | APVD 05 SEP 97 | PRODUCT SPEC | |
| 0 PLC ±- | | APPLICATION SPEC | | |
| 1 PLC ±- | | WEIGHT | | |
| 2 PLC ±0.13 [.005] | | SCALE 10:1 SHEET 1 OF 1 REV W | | |
| 3 PLC ±- | | CUSTOMER DRAWING | | |
| 4 PLC ±- | | SIZE A2 CAGE CODE 00779 DRAWING NO 60151 RESTRICTED TO | | |
| ANGLES ±- | | MATERIAL 1 | | |
| FINISH 2 | | PART NUMBER 60151-6 | | |