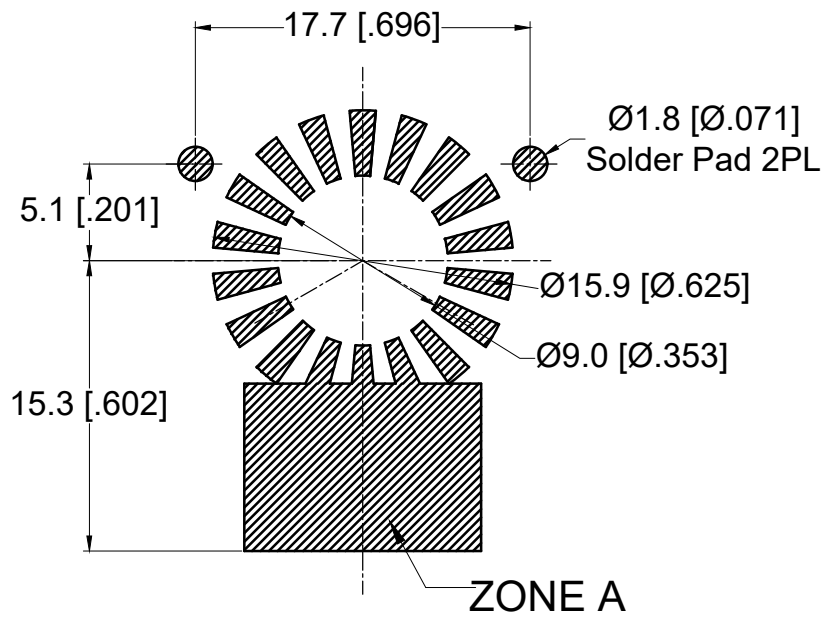


RECOMMENDED LAND PATTERN :

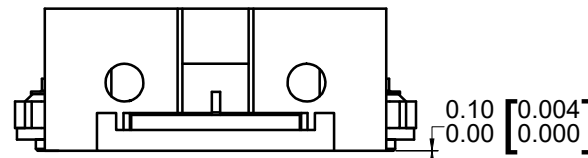
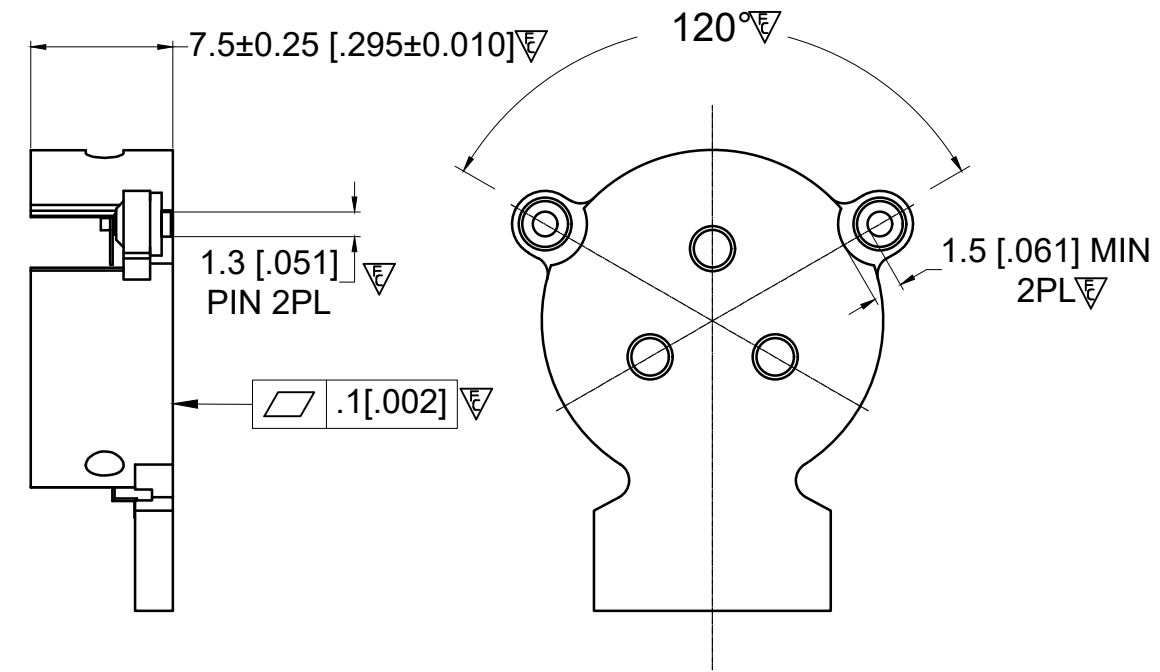
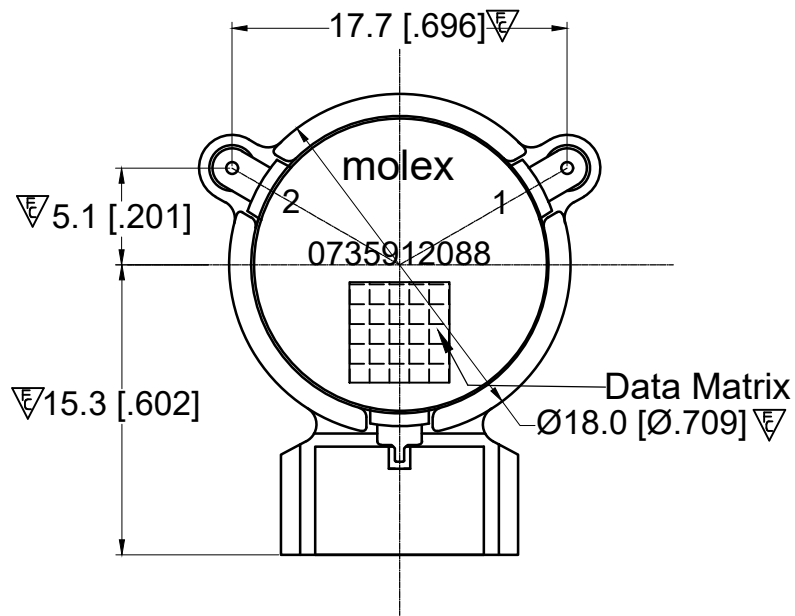
Zone A must be attached to heat sink. Thermal conductivity of intermediate layers between Zone A and heat sink must be better than 0.1 W / [°C x mm].



PCB MATERIAL:ROGERS 4350B 20MIL

ELECTRICAL SPECIFICATION :

- Frequency Range : 2110 to 2170 MHz
- Isolation (In Band) : 28 dB Min
- Insertion Loss : 0.18 dB Max
- FWD Power : 150W (CW)
- Peak Power : 1000 W
- REV Power : 60 W
- Return Loss : 25 dB Min
- IMD (2 x 65 W, 1 MHz space) : -70 dBc Max
- 2nd Harmonics : 10 dBc
- 3rd Harmonics : 5 dBc
- Operating Temperature : -40°C to +120°C
- +120°C to +130°C : power capacity and reliability no change , other spec.reduce 10%
- Storage Temperature : -40°C to +130°C
- Direction : CCW



BODY: CARBON STEEL, SILVER PLATED

RIGID PINS: COPPER, SILVER PLATED

NOTES:

1. STANDARD INPUT/OUTPUT IMPEDANCE 50 OHM
2. LEAD FREE, NO ND MATERIAL, BEO FREE
3. THE DIMENSION OF THE DATA MATRIX IS 5.3MM*5.3MM, INFORMATION INCLUDED WORK ORDER NUMBER-SERIAL NUMBER-MATERIAL NUMBER
4. THIS PART COMPLIES WITH ALL ROHS REQUIREMENTS.

ENG PART#: 811-211-217-WC140

FUNCTIONAL SYMBOLS	THIS DRAWING CONTAINS INFORMATION THAT IS PROPRIETARY TO MOLEX ELECTRONIC TECHNOLOGIES, LLC AND SHOULD NOT BE USED WITHOUT WRITTEN PERMISSION		CURRENT REV DESC:		molex
	DIMENSION UNITS	SCALE	RELEASE TO PROD		
▽=0	MM	1:1	EC NO: 696580		SMSJ ISOLATOR/2110~2170MHZ/CCW
▽=0	GENERAL TOLERANCES (UNLESS SPECIFIED)		DRWN: SREN05	2022/02/21	
▽=0	mm INCH		CHK'D: JLI252	2022/02/23	RESTRICTED PRODUCT CUSTOMER DRAWING
DIVISIONAL SYMBOLS	4 PLACES ±0.005 ±----	3 PLACES ±0.025 ±----	APPR: HWANG186	2022/03/01	
1 PLACE ±0.25 ±----	INITIAL REVISION:		DRWN: SREN05	2021/12/08	DOCUMENT NUMBER
0 PLACES ±0.4 ±----	ANGULAR TOL ± 1.5 °		APPR: HWANG186	2022/03/01	735912088
DRAFT WHERE APPLICABLE MUST REMAIN WITHIN DIMENSIONS	THIRD ANGLE PROJECTION	DRAWING	SERIES	MATERIAL NUMBER	CUSTOMER
	⊕	A3-SIZE	73591	0735912088	CUSTOM PART
					SHEET NUMBER
					1 OF 1