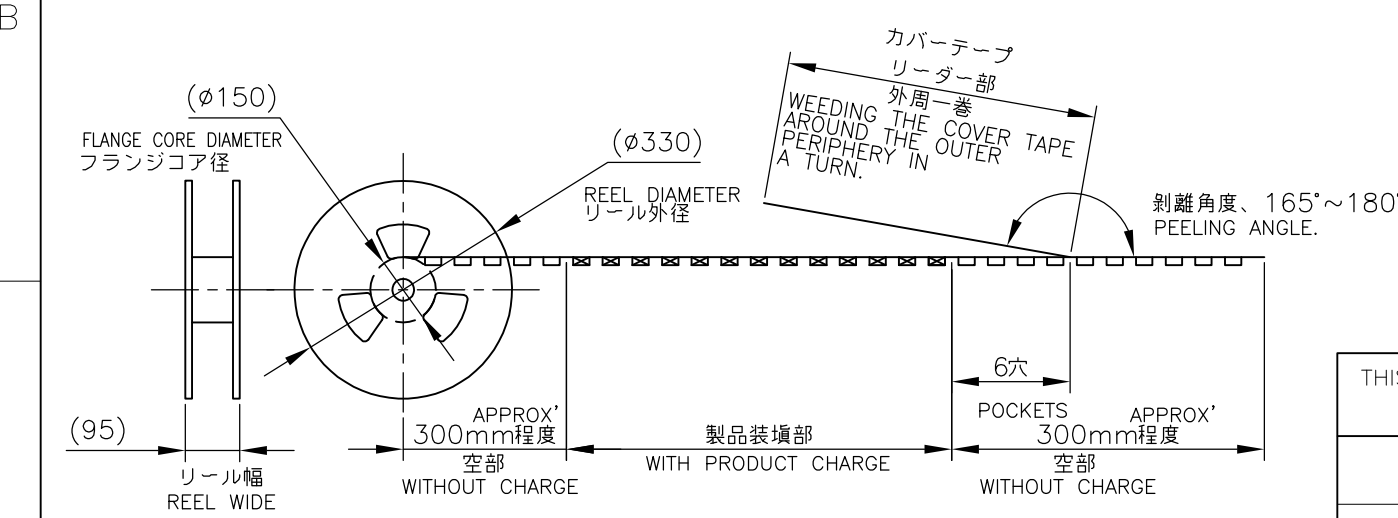
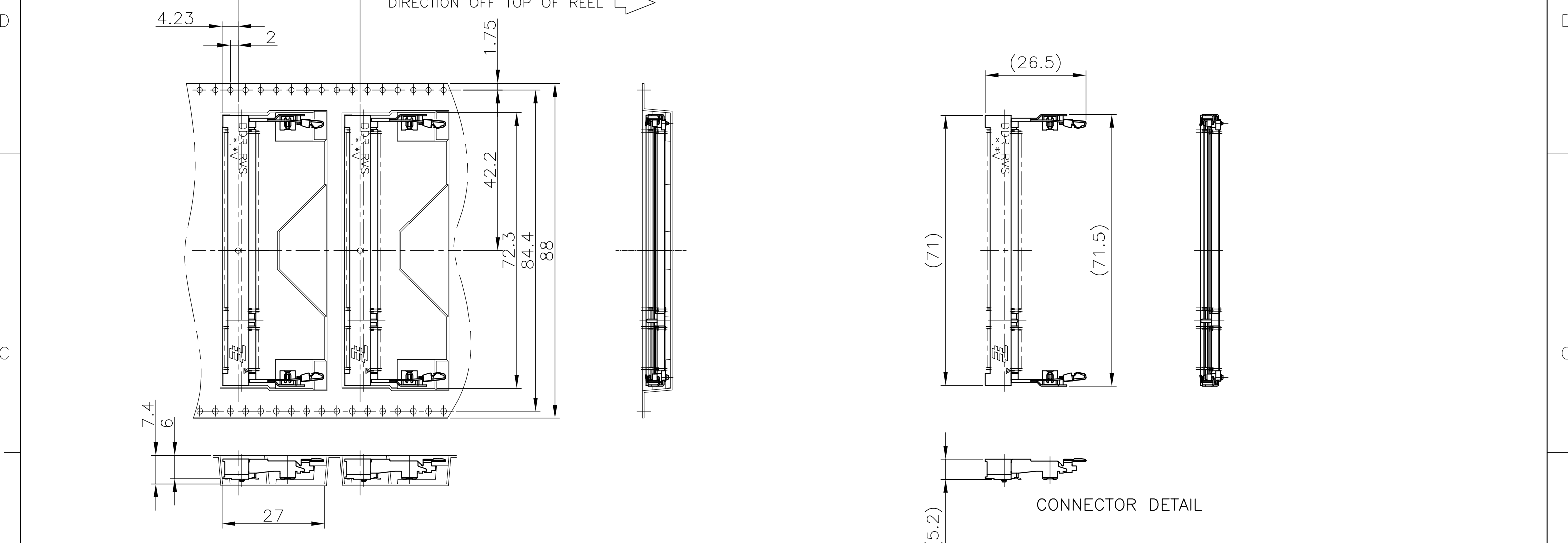


THIS DRAWING IS UNPUBLISHED. RELEASED FOR PUBLICATION DEC ,2001.
 © COPYRIGHT 2001 By - ALL RIGHTS RESERVED.

LOC	DIST	REVISIONS					
		P	LTR	DESCRIPTION	DATE	DWN	APVD
J			D2	REVISED PER ECO-11-005033	11MAR11	RK	HMR



鉛フリー
LEAD FREE

1.8V (DDR2)	150EA/REEL	1565712-4	1565918-4
2.5V (DDR1)	150EA/REEL	1565712-3	1565918-1
POWER SUPPLY (TYPE)	QTY	CONNECTOR P/N	P/N

THIS DRAWING IS A CONTROLLED DOCUMENT.

DIMENSIONS: 単位: 耗 mm	TOLERANCES UNLESS OTHERWISE SPECIFIED: 一般公差	DWN B.WONG 20JUL10	TE Connectivity EMBOSS ASSEMBLY DDR1 & DDR2 SODIMM SOCKET 200P STANDARD PROFILE REVERSE TYPE
	0 PLC ± 0.3	CHK C.WANG 20JUL10	
	1 PLC ± 0.3	APVD S.YAO 20JUL10	
	2 PLC ± 0.3	NAME 名称	
3 PLC ± 0.3	PRODUCT SPEC 製品規格 108-5701	SIZE	A3
4 PLC ± 0.3	APPLICATION SPEC 取付適用規格	CAGE CODE	00779
ANGLES ± 5°	FINISH 仕上	DRAWING NO 番号	G-1565918
MATERIAL 材料	WEIGHT	RESTRICTED TO	-
CUSTOMER DRAWING		SCALE 尺度 1:1	SHEET 1 OF 1
		REV D2	