


© 2008 Tyco Electronics. All rights reserved.

 <p>Raychem Wire and Harnessing Products 300 Constitution Drive Menlo Park, CA 94025, USA</p>		TITLE: HEXASHIELD ADAPTOR FOR CODE 41 CONNECTORS PLAIN CLAMPING NUT	
UNLESS OTHERWISE SPECIFIED DIMENSIONS ARE IN MILLIMETERS. INCH DIMENSIONS ARE SHOWN IN BRACKETS		Tyco Electronics reserves the right to amend this drawing at any time. Users should evaluate the suitability of the product for their application.	
DOCUMENT NO. HEX41L-KC-90-YY-AY-1	FILE: 87004/41L-90	SCALE: NONE	SHEET: 1 OF 3
DRAWN: IRT	DATE: JAN 08	CAGE CODE: 06090	DCR # ECO-08-019355

If this document is printed it becomes uncontrolled. Check for the latest revision.

CUSTOMER DRAWING

REV:
A

DATE:
Aug 21, 2008

KIT DESCRIPTION

ITEM	DESCRIPTION	MATERIAL
1	BODY ASSEMBLY	STAINLESS STEEL
2	CLAMPING NUT - PLAIN	STAINLESS STEEL
3	CONIC RING	STAINLESS STEEL
4	STAR - PLAIN	STAINLESS STEEL

TABLE OF DIMENSIONS


Order Number	Shell Size		ØA Thread UNEF 2B	ØB Max	ØC Max	D Max	E Max	Ferrule Quantity
	Ser I	Ser II						Standard
09	09	08	0.4375"-28	19.0 [0.75"]	17.5 [0.69"]	22.5 [0.98"]	30.5 [1.20"]	1
11	11	10	0.5625"-24	22.0 [0.87"]	21.5 [0.85"]	24.0 [0.94"]	32.0 [1.26"]	2
13	13	12	0.6875"-24	25.5 [1.00"]	22.5 [0.89"]	26.0 [1.02"]	34.0 [1.34"]	3

PART NUMBERING

HEX41 L - K C - 90 - 09 - A1 - 1

- CONNECTOR CODE NUMBER
HEX41 = MIL-C-38999 SERIES I AND II
- L = EXTENDED BODY
- MATERIAL CODE:
K = STAINLESS STEEL
- PLATING CODE:
C = ELECTROLESS NICKEL TO SAE-AMS-C-26074
- BODY STYLE
90 = 90°
- ORDER NUMBER
09
- FERRULE QUANTITY CODE
A1
- 1 = PLAIN CLAMPING NUT

© 2008 Tyco Electronics. All rights reserved.

 Raychem Wire and Harnessing Products 300 Constitution Drive Menlo Park, CA 94025, USA			TITLE: HEXASHIELD ADAPTOR FOR CODE 41 CONNECTORS PLAIN CLAMPING NUT			
UNLESS OTHERWISE SPECIFIED DIMENSIONS ARE IN MILLIMETERS. INCH DIMENSIONS ARE SHOWN IN BRACKETS		Tyco Electronics reserves the right to amend this drawing at any time. Users should evaluate the suitability of the product for their application.		DOCUMENT NO. HEX41L-KC-90-YY-AY-1		
DRAWN: IRT	DATE: JAN 08	CAGE CODE: 06090	DCR # ECO-08-019355	FILE: 87004/41L-90	SCALE: NONE	SHEET: 2 OF 3

If this document is printed it becomes uncontrolled. Check for the latest revision.

CUSTOMER DRAWING

REV:
A

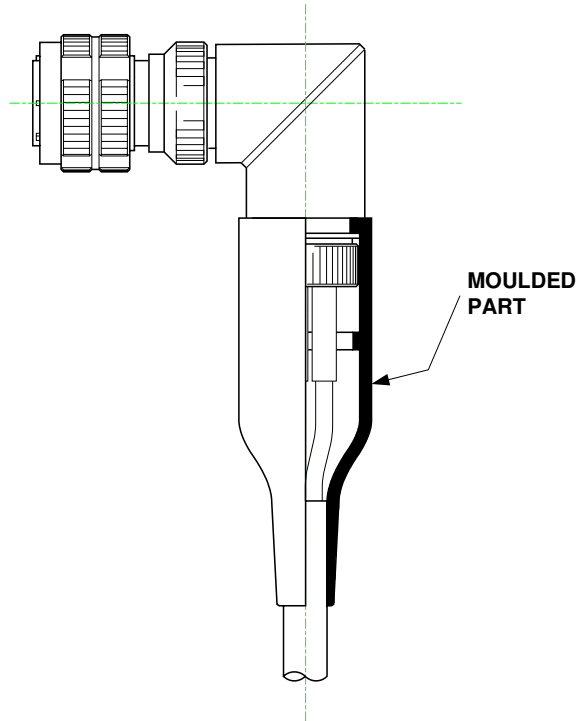
DATE:
Aug 21, 2008

APPLICATION

- These adaptors are designed to be mounted on the following connectors:

MIL-DTL-38999 Series I and II

- They are qualified to the Raychem specification RB-114, when installed on metallic Mil-Specification circular connectors only.
- They are designed primarily for open wire bundle installation but are also designed to accept Raychem heat shrink moulded parts where strain relief is required – see illustration.



- Use in conjunction with ferrules HET-A-0XX, which are purchased separately. Refer to HET-A-0XX S.C.D. for relevant selection details.

INSTALLATION

- See Installation Procedure RPIP-696-04 (straight bodies) or RPIP-696-07 (45° and 90° bodies) for assembly.
- See Installation Procedure RPIP-696-00 for shield termination.


PACKAGING

- All components are supplied in a plastic bag.

NOTES!

1. Item 4 - Star - is **not** supplied with Hexashield Order Number 09.
2. Assembly is to be permanently marked with Code Identity Number and Part Number.
(e.g. 06090 HEX41L-KC-90-09-A1-1)

© 2008 Tyco Electronics. All rights reserved.

 Raychem Wire and Harnessing Products 300 Constitution Drive Menlo Park, CA 94025, USA			TITLE: HEXASHIELD ADAPTOR FOR CODE 41 CONNECTORS PLAIN CLAMPING NUT			
UNLESS OTHERWISE SPECIFIED DIMENSIONS ARE IN MILLIMETERS. INCH DIMENSIONS ARE SHOWN IN BRACKETS		Tyco Electronics reserves the right to amend this drawing at any time. Users should evaluate the suitability of the product for their application.		DOCUMENT NO. HEX41L-KC-90-YY-AY-1		
DRAWN: IRT	DATE: JAN 08	CAGE CODE: 06090	DCR # ECO-08-019355	FILE: 87004/41L-90	SCALE: NONE	SHEET: 3 OF 3

If this document is printed it becomes uncontrolled. Check for the latest revision.