

Single Port Vertical Mount RJ45

ARV11-4102

- 100/1000 BaseT Gigabit for Ethernet and other Networking Applications
- Compliant to IEEE802.3ab
- Vertical Mount
- 30µ" Gold Plated Contacts
- Standard Operating Temp: 0°C to +70°C



Electrical Specifications @ 25°C

OCL(µH Min) @ 100kHz, 0.1V With 8mA DC Bias	Turns Ratio (±2%)	Insertion Loss (dB Max)		DCR (Ω Max)	Cross Talk (dB Min) 1-100MHz
		1-100MHz	100-125MHz		
350	1 : 1	-1.0	-1.2	1.2	-30

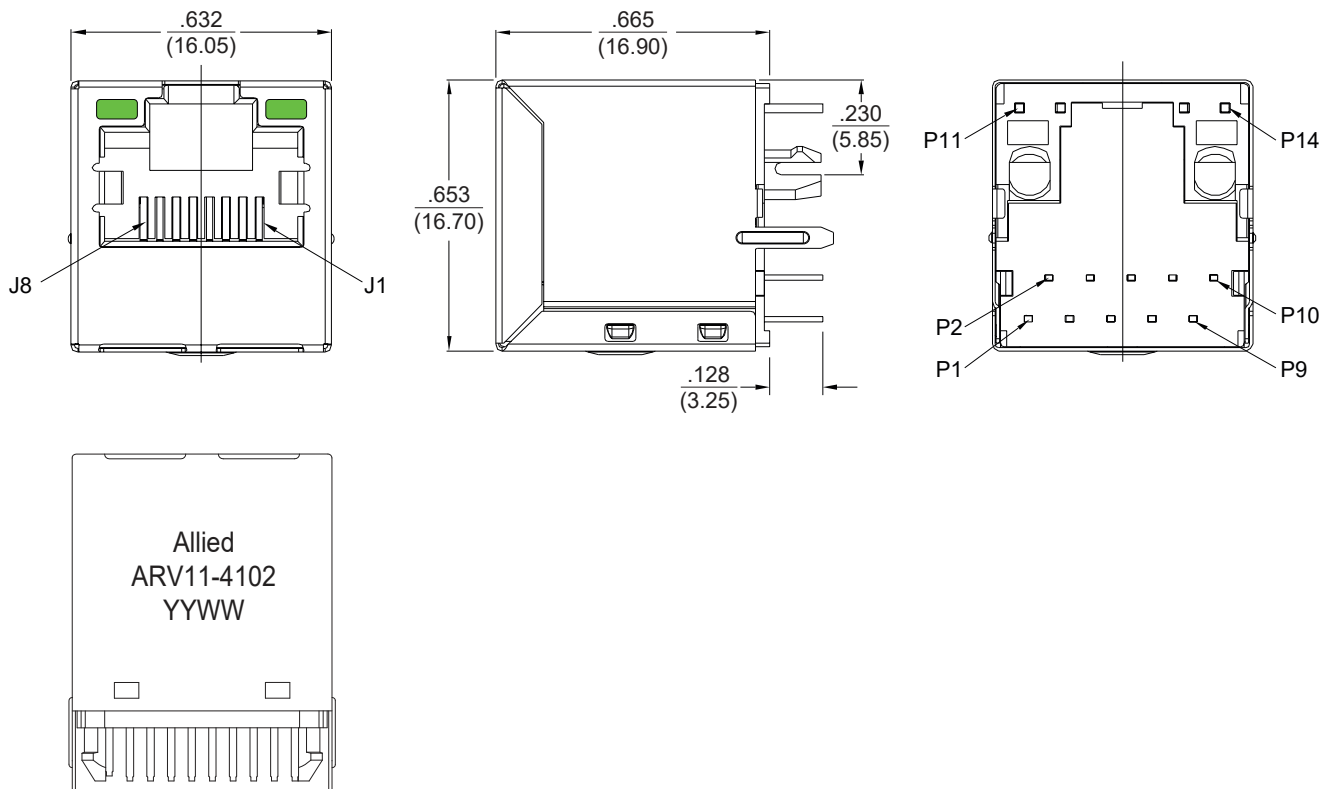
Electrical Specifications @ 25°C

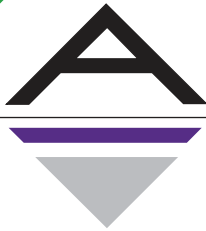
Return Loss (dB Min)				Common Mode Attenuation (dB Min)	HI-POT VDC
1-40MHz	40-60MHz	60-80MHz	80-100MHz	1-100MHz	
-16	-12	-10	-8	-30	2250

All specifications subject to change without notice.

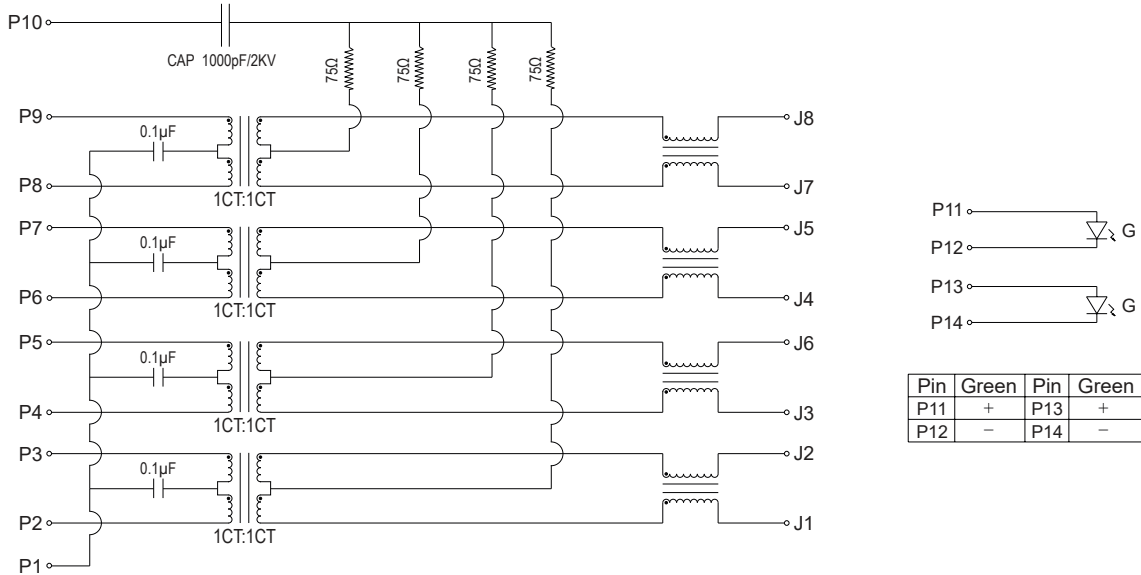
MECHANICAL

Dimensions: inch  
(mm)

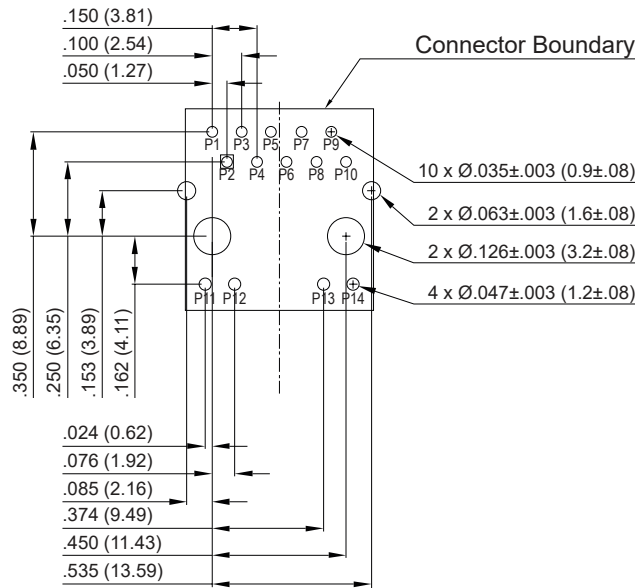




SCHEMATICS



PCB LAYOUT



Unit: inch (mm)  
Tolerances unless otherwise specified:  $\pm.004$  (0.10)

NOTES

- Connector Materials:  
Housing: Thermoplastic Black UL94V-0  
Shield: Brass  
Shield Plating: Nickel  
Contact: Phosphor Bronze  
Contact Plating: Selective Gold, 30 $\mu$  Min in Contact Area
- RJ45 Cavities Conform to FCC Rules and Regulations part 68
- The part is recommended for Wave Soldering process. Peak Temperature is 260°C Max, 10 Sec Max