

# HC-B24/16-ADP-SS - Adapter plate



1034216

<https://www.phoenixcontact.com/pc/products/1034216>

Please be informed that the data shown in this PDF document is generated from our online catalog. Please find the complete data in the user documentation. Our general terms of use for downloads are valid.

Adapter plate, design: B24 to B16



## Commercial data

|                                      |               |
|--------------------------------------|---------------|
| Item number                          | 1034216       |
| Packing unit                         | 1 pc          |
| Minimum order quantity               | 1 pc          |
| Product key                          | BF7AZD        |
| GTIN                                 | 4055626540627 |
| Weight per piece (including packing) | 106.5 g       |
| Weight per piece (excluding packing) | 104 g         |
| Customs tariff number                | 39269097      |
| Country of origin                    | DE            |

# HC-B24/16-ADP-SS - Adapter plate

1034216

<https://www.phoenixcontact.com/pc/products/1034216>

## Technical data

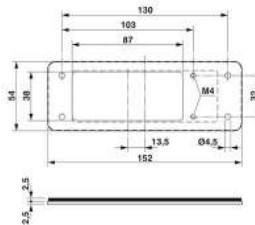
### Notes

|         |                              |
|---------|------------------------------|
| General | For wall cutouts of type B24 |
|---------|------------------------------|

### Product properties

|              |               |
|--------------|---------------|
| Type         | B24           |
| Product type | Adapter plate |
| Seal present | yes           |

### Dimensions

|                                 |   |
|---------------------------------|---|
| Dimensional drawing             |  |
| Width                           | 53 mm   |
| Height                          | 5 mm  |
| Length                          | 151 mm  |
| Drill hole distance, horizontal | 130 mm  |
| Drill hole distance, vertical   | 32 mm   |
| Hole diameter                   | 5.5 mm  |

### Material specifications

|               |                                 |
|---------------|---------------------------------|
| Material      | Stainless steel 1.4301/AISI 304 |
| Seal material | NBR/SBR                         |

### Environmental and real-life conditions

#### Ambient conditions

|                                 |                   |
|---------------------------------|-------------------|
| Degree of protection            | IP54              |
|                                 | IP65              |
| Ambient temperature (operation) | -40 °C ... 125 °C |

### Mounting

|                       |  |
|-----------------------|--|
| Assembly instructions | Torque of the mounting screws 1 ... 2 Nm |
|-----------------------|--|

# HC-B24/16-ADP-SS - Adapter plate

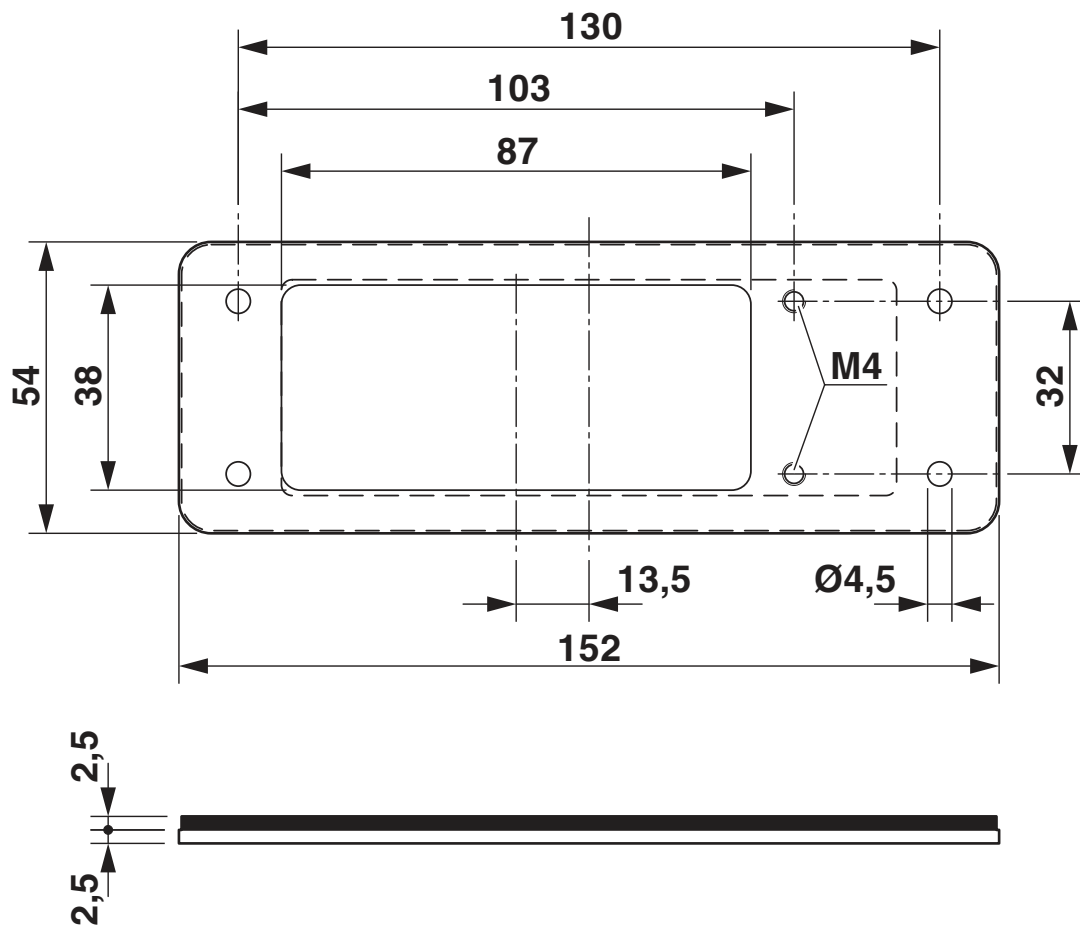


1034216

<https://www.phoenixcontact.com/pc/products/1034216>

## Drawings

Dimensional drawing



Dimensional drawing

# HC-B24/16-ADP-SS - Adapter plate



1034216

<https://www.phoenixcontact.com/pc/products/1034216>

## Classifications

### ECLASS

|             |          |
|-------------|----------|
| ECLASS-11.0 | 27440201 |
| ECLASS-12.0 | 27440201 |
| ECLASS-13.0 | 27440201 |

### ETIM

|          |          |
|----------|----------|
| ETIM 8.0 | EC002309 |
|----------|----------|

### UNSPSC

|             |          |
|-------------|----------|
| UNSPSC 21.0 | 31261500 |
|-------------|----------|

# HC-B24/16-ADP-SS - Adapter plate



1034216

<https://www.phoenixcontact.com/pc/products/1034216>

## Environmental product compliance

|            |  |
|------------|--|
| China RoHS | Environmentally Friendly Use Period = 50 years<br>For information on hazardous substances, refer to the manufacturer's declaration available under "Downloads" |
|------------|--|

Phoenix Contact 2023 © - all rights reserved  
<https://www.phoenixcontact.com>

PHOENIX CONTACT GmbH & Co. KG  
Flachsmarktstraße 8  
D-32825 Blomberg  
+49 (0) 5235-3 00  
[info@phoenixcontact.com](mailto:info@phoenixcontact.com)