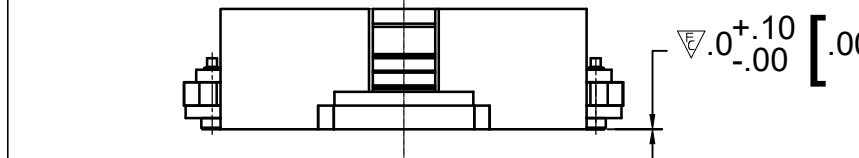
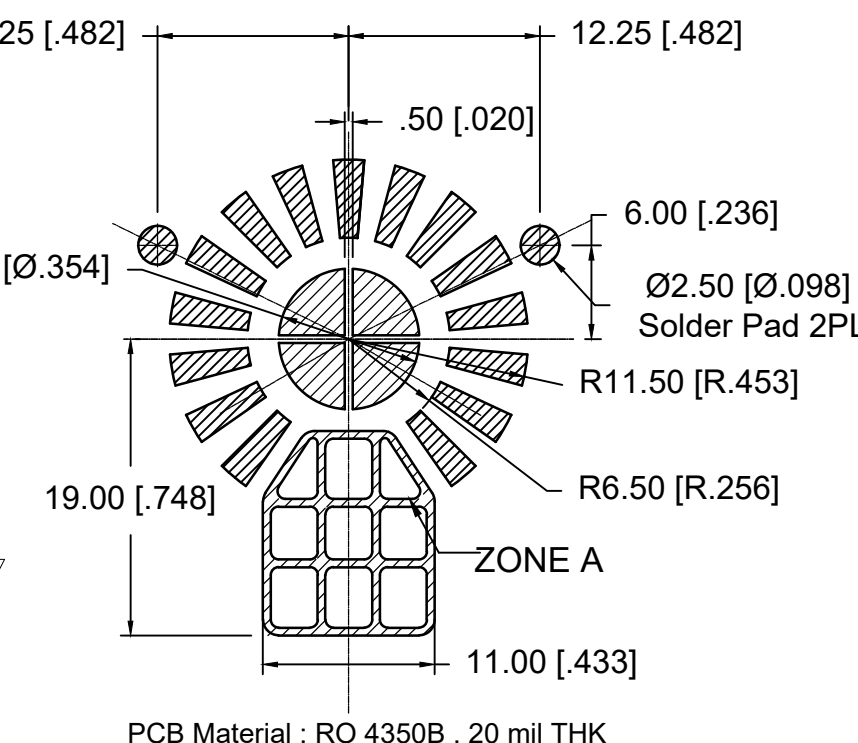


**RECOMMENDED LAND PATTERN :**  
 Zone A must be attached to heat sink. Thermal conductivity of intermediate layers between Zone A and heat sink must be better than 0.1 W / [°C x mm].



**ELECTRICAL SPECIFICATION :**

Frequency Range	: 859~894 MHz
Input Power	: 100 W
Input Power , Peak	: 1300 W
Reflected Power	: 80 W
Isolation (Within frequency range, Port 2 to 1)	: 22 dB Min
Return Loss (Measured at Port 1 and Port 2)	: 23 dB Min (0°C~125°C)
	: 20 dB Min (-40°C~0°C)
Insertion Loss (Within frequency range, Port 1 to 2)	: 0.25 dB Max
Inter modulation distortion, IM3(2 x 50 W)	: -69 dBc Max
	IM5(2 x 50 W) : -79 dBc Max
Harmonics:	2 x f(100W CW) : 0 dBm Max
	3-4 x f (100W CW) : -10 dBm Max
	5 x f (100W CW) : -35 dBm Max
	6-7 x f (100W CW) : -25 dBm Max
Operating Temperature Range	: -40°C to +125°C
Storage Temperature Range	: -40°C to +125°C
Direction	: CW

**BODY:** CARBON STEEL, SILVER PLATED  
**RIGID PINS:** COPPER, SILVER PLATED

**NOTES:**

- STANDARD INPUT/OUTPUT IMPEDANCE 50 Ohm
- LEAD FREE, NO Nd MATERIAL, BeO FREE
- THE DIMENSION OF DATE MATRIX IS 7.6X7.6MM INFORMATION INCLUDING WORK ORDER NUMBER-SERIAL NUMBER-MATERIAL NUMBER
- THIS PART COMPLIES WITH ALL RoHS REQUIREMENTS

**ENG PN#: 801-085-089-WB040**

THIS DRAWING CONTAINS INFORMATION THAT IS PROPRIETARY TO MOLEX ELECTRONIC TECHNOLOGIES, LLC AND SHOULD NOT BE USED WITHOUT WRITTEN PERMISSION									
FUNCTIONAL SYMBOLS	DIMENSION UNITS	SCALE	CURRENT REV DESC:						
$F_A=0$	MM	1:1	---						
$F_P=0$	GENERAL TOLERANCES (UNLESS SPECIFIED)								
$F_D=0$		mm	INCH	EC NO: 696580					
DIVISIONAL SYMBOLS	4 PLACES	±0.005	±----	DRWN: SREN05 2022/02/21					
	3 PLACES	±0.025	±----	CHK'D: JLI252 2022/02/23					
	2 PLACES	±0.13	±----	APPR: HWANG186 2022/03/01					
	1 PLACE	±0.25	±----	INITIAL REVISION:					
	0 PLACES	±0.4	±----	DRWN: SREN05 2021/12/08					
	ANGULAR TOL ± 1.5 °			APPR: HWANG186 2022/03/01					
DRAFT WHERE APPLICABLE MUST REMAIN WITHIN DIMENSIONS				THIRD ANGLE PROJECTION	DRAWING	SERIES	MATERIAL NUMBER	CUSTOMER	SHEET NUMBER
					A3-SIZE	73591	0735912099	CUSTOM PART	1 OF 1

DOCUMENT STATUS	P1	RELEASE DATE	2022/03/01	06:07:42
-----------------	----	--------------	------------	----------