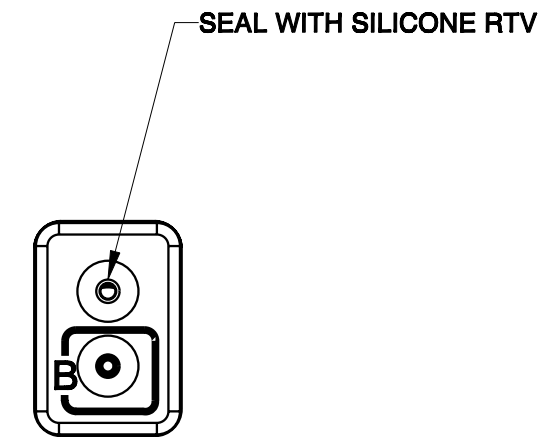
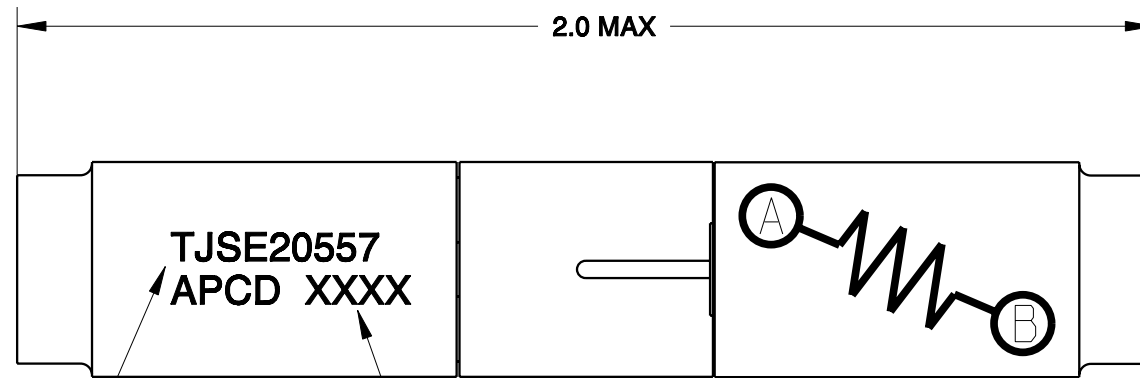
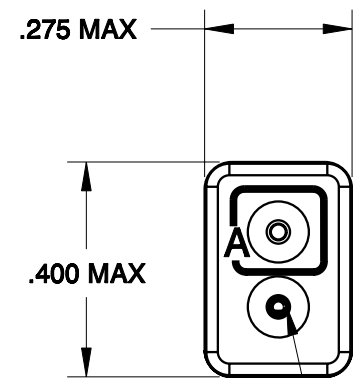


TJSE20557

REV	ECN	APP'D
-	5858	



WHITE MARKING  
.06 HT

DATE CODE

SEAL WITH SILICONE RTV

**NOTES:**

- MATERIALS:**  
HOUSING: POLYETHERIMIDE, COLOR BLACK  
GROMMET: SILICONE ELASTOMER, COLOR BLUE  
INTERNAL CONTACT: COPPER ALLOY, GOLD PLATED,  
PER MIL-G-45204, TYPE I, GRADE C, CLASS I.  
CONTACT RETAINER: STAINLESS STEEL
- SPLICE ACCEPTS (2) MATING M39029/1-101 CONTACTS (NOT INCLUDED)
- PART COMPLIES TO ALL REQUIREMENTS PER MIL-T-81714.
- RESISTOR:  $220\Omega$ ,  $1/4W \pm 2\%$

TJSE20557

TJSE20557

<b>DIMENSIONS</b> ANSI Y14.5M UNITS: INCHES Pro/E FILE	<b>TOLERANCES</b> .XX $\pm 0.01$ .XXX $\pm 0.005$ ANGLES $\pm 2.0^\circ$	<b>PROJECTION</b> 	<b>Amphenol Pcd</b> SPECIFICATION DRAWING		<b>TITLE</b> WIRE SPLICE, ELECTRONIC RESISTOR, $220\Omega$ , $1/4W$ SIZE 20		
			DRWN D. LANG      05/08/06	ENGR		SIZE <b>B</b>	DWG NO. <b>TJSE20557</b>
ORIGINAL	THIS DOCUMENT CONTAINS PROPRIETARY INFORMATION WHICH IS THE CONFIDENTIAL PROPERTY OF AMPHENOL PCD INC., PEABODY, MA		APPD	CODE: 58982	SCALE: 3:1	SHEET 1 OF 1	