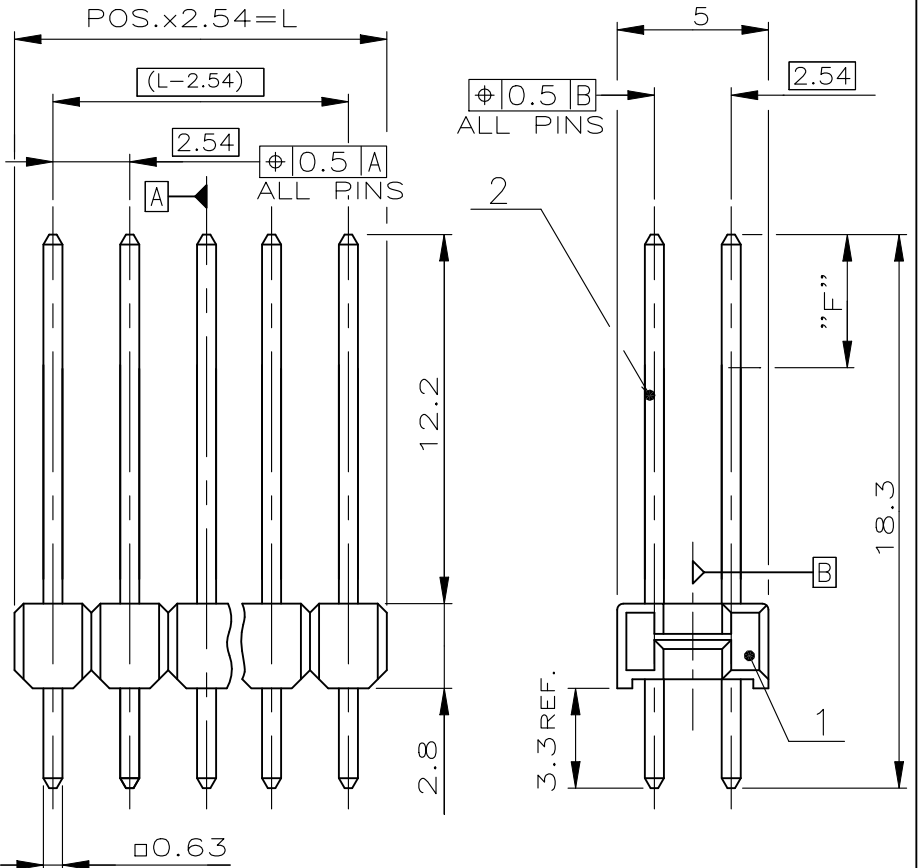


REVISIONS

P	LTR	DESCRIPTION	DATE	DWN	APVD
	D1	NOTE 1 0.76µm PLATING UPDATE (PdNi+AuFLASH)	13JUL2023	BGC	PS

POS. PER ROW	L±0.4	PART NUMBER
-	-	-
2	5.08	△ - - - - -2
3	7.62	△ - - - - -3
4	10.16	△ - - - - -4
5	12.70	△ - - - - -5
6	15.24	828080 -6
7	17.78	△ - - - - -7
8	20.32	828080 -8
9	22.86	△ - - - - -9
10	25.40	1- 828 080 -0
11	27.94	1- 828080 -1
12	30.48	△ 1- - - - -2
13	33.02	△ 1- - - - -3
14	35.56	△ 1- - - - -4
15	38.10	△ 1- - - - -5
16	40.64	△ 1- - - - -6
17	43.18	△ 1- - - - -7
18	45.72	1- 828080 -8
19	48.26	1- 828080 -9
20	50.80	△ 2- - - - -0
21	53.34	2- 828080 -1
22	55.88	2- 828080 -2
23	58.42	2- 828080 -3
24	60.96	2- 828080 -4
25	63.50	2- 828080 -5
26	66.04	2- 828080 -6
27	68.58	2- 828080 -7
28	71.12	2- 828080 -8
29	73.66	2- 828080 -9
30	76.20	△ 3- - - - -0
31	78.74	3- 828080 -1
32	81.28	△ 3- - - - -2
33	83.82	3- 828080 -3
34	86.36	3- 828080 -4
35	88.90	3- 828080 -5
36	91.44	△ 3- - - - -6
37	93.98	3- 828080 -7
38	96.52	3- 828080 -8
39	99.06	3- 828080 -9
40	101.60	△ 4- - - - -0
41	104.14	4- 828080 -1
42	106.68	4- 828080 -2
43	109.22	4- 828080 -3
44	111.76	4- 828080 -4
45	114.30	4- 828080 -5
46	116.84	4- 828080 -6
47	119.38	4- 828080 -7
48	121.92	4- 828080 -8
49	124.46	4- 828080 -9
50	127.00	5- 828080 -0



- △ MATING SIDE: Min 0.76µm (PdNi + Au FLASH) IN ZONE "F" OVER Min 1.27µm Ni (Alternative plating - Min 0.76µm Au OVER Min 1.27µm Ni)
- SOLDER SIDE: MIN. 2.5µm TIN OVER Min 1.27 µm Ni
- △ OBSOLETE

CONTACT PIN	CuZn	△	2
PIN HOUSING	PBT	GREEN	1
DESCRIPTION	MATERIAL	FINISH COLOR /	ITEM NUM

TE Connectivity. All Rights Reserved.

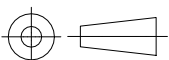


DIMENSIONS:

mm

TOLERANCES UNLESS OTHERWISE SPECIFIED: ±0.2mm

- 0 PLC ± -
- 1 PLC ± -
- 2 PLC ± -
- 3 PLC ± -
- 4 PLC ± -
- ANGLES ± -



DWN	G.HOLAUS	31SEP1989
CHK	M.SCHAARSCHMIDT	07FEB1990
APVD	-	-
PRODUCT SPEC	108-18012	
APPLICATION SPEC	-	
WEIGHT	-	

MATERIAL SEE TABLE

FINISH -



TE Connectivity

NAME AMPMODU II PIN HEADER, DUAL ROW

SIZE	CAGE CODE	DRAWING NO	RESTRICTED TO
A4	00779	C-828080	-

CUSTOMER DRAWING

SCALE 4:1 SHEET 1 OF 1 REV D1