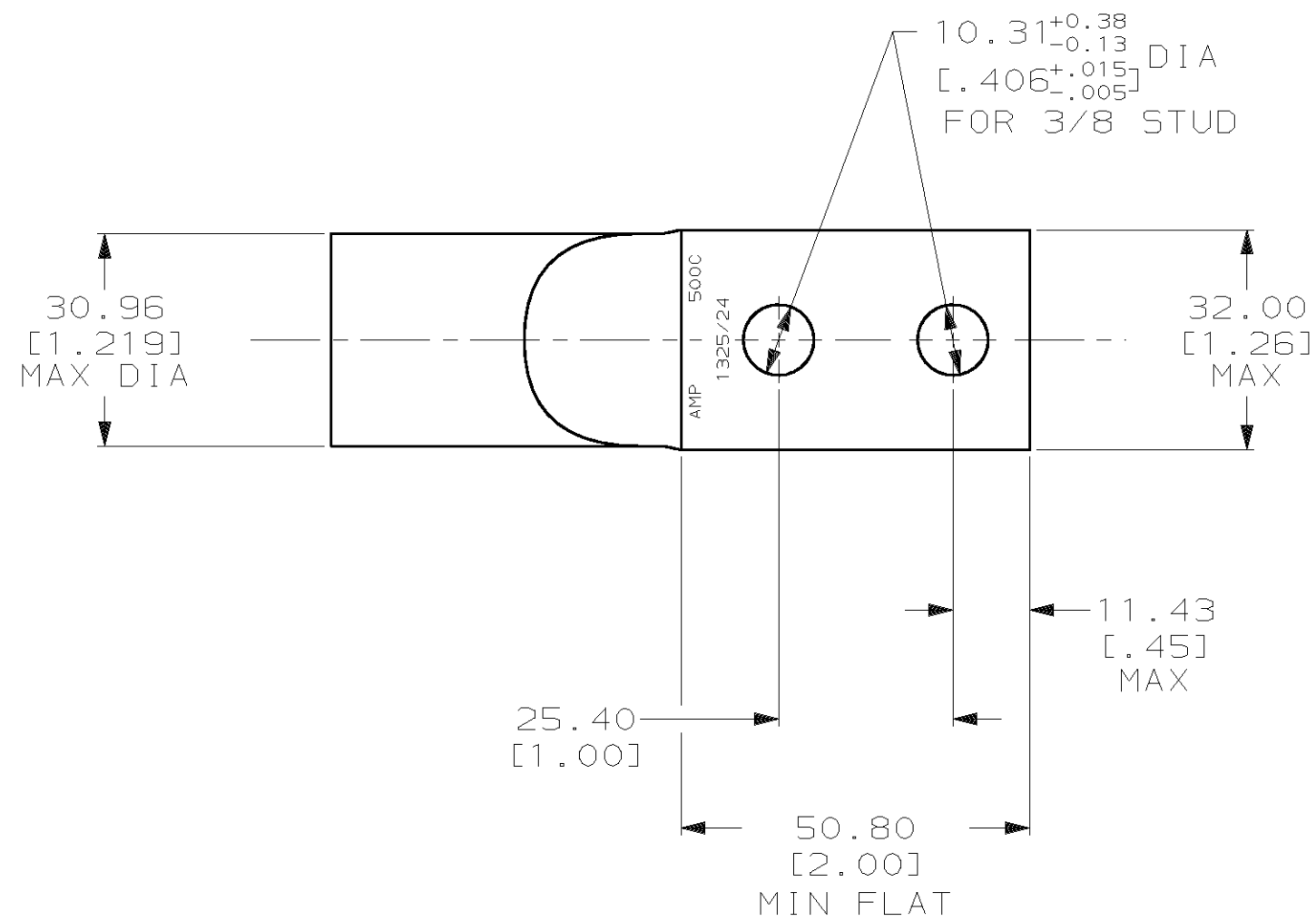
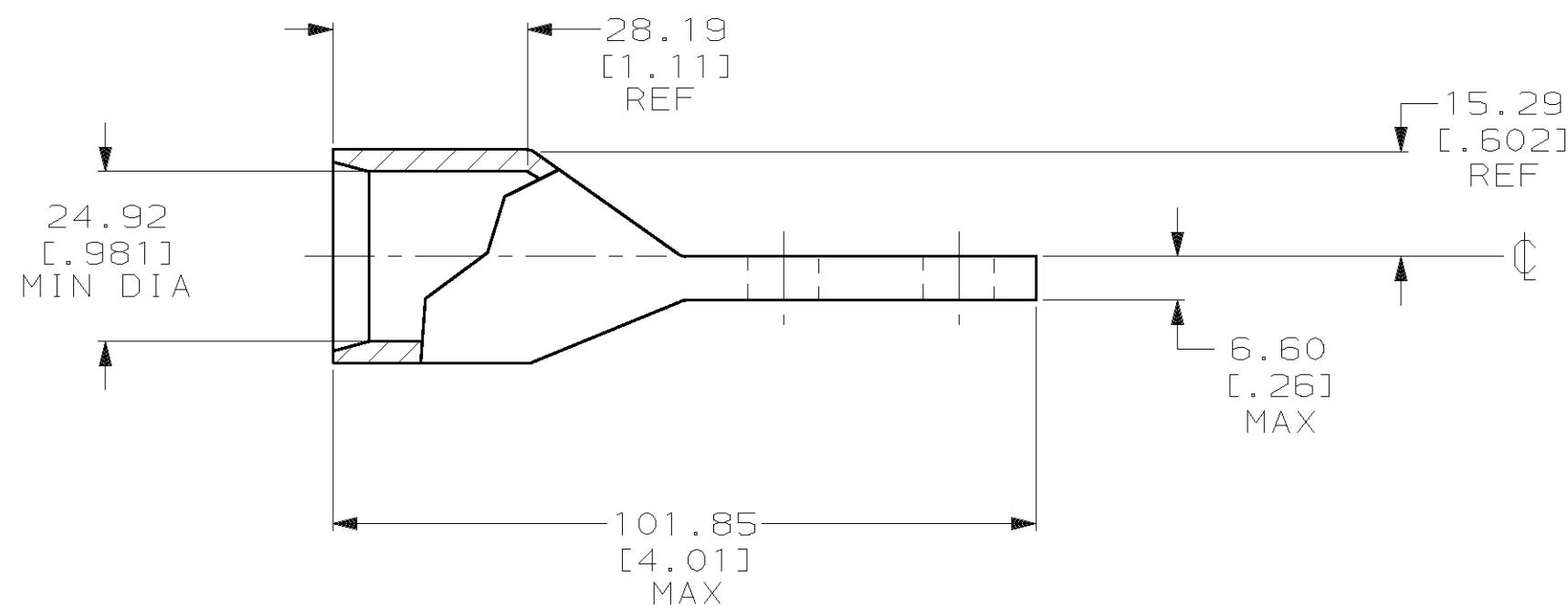


THIS DRAWING IS UNPUBLISHED. RELEASED FOR PUBLICATION .19 .
 © COPYRIGHT 19 BY AMP INCORPORATED. ALL INTERNATIONAL RIGHTS RESERVED.

LOC		DIST		P		F		ZONE		LTR		REVISIONS		DATE	APPD
G		86										D REV PER 063A-0561-01		07OCT02	JR/MS



- 1 TIN PL 0.00381 [.000150] MIN THK PER MIL-T-10727
- 2 CIRCULAR MIL RANGE: 450-550 MCM



METRIC

276887-1

PART NO

DO NOT SCALE PRINT.
 UNLESS SPECIFIED
 DIMENSIONS IN mm [INCHES]
 TOLERANCES ON :
 2 PLC DEC ± 0.51 [.020]
 3 PLC DEC ± -
 ANGLES ± -

DR 10/15/91
 DK SCHRUM
 CHK 10/16/91
 AJ KAUFMAN

AMP AMP INCORPORATED
 Harrisburg, Pa. 17105

MATERIAL
 ANNEALED COPPER
 ASTM B-75

APPD 10/16/91
 WJ VOCKROTH
 APPD 10/16/91
 AJ ADELMANN

NAME
 TERMINAL, AMPPOWER™
 WIRE SIZE: 253.0mm² [500] MCM

FINISH



APPLICATION SPEC
 -

SIZE C
 CAGE CODE 00779

DRAWING NO
 276887

WEIGHT -

SCALE 1:1

SHEET 1 OF 1