

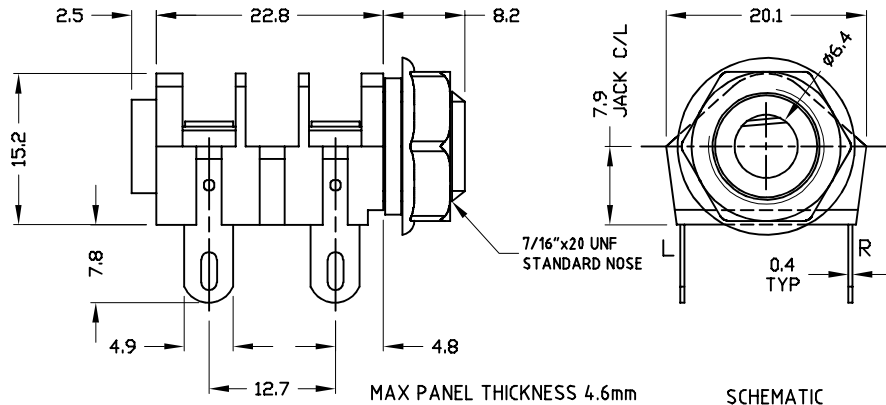
CLIFF

GOLD SWITCHED JACK SOCKETS

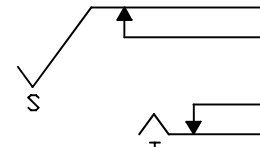
6.35mm JACK SOCKET



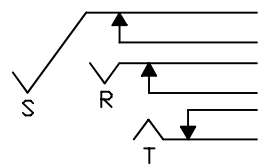
CL11607A



SCHMATIC



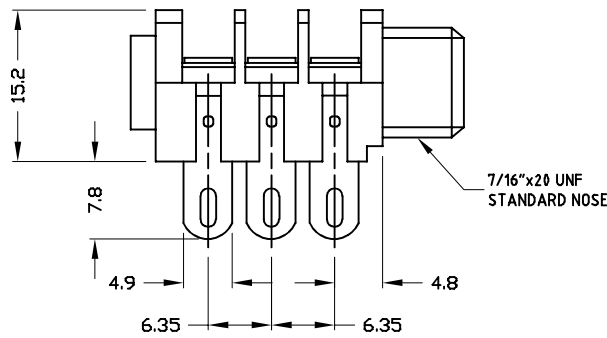
MONO (BNB) JACK
SWITCH CONTACTS OPEN WHEN PLUG IS INSERTED + CLOSE WHEN PLUG IS WITHDRAWN.



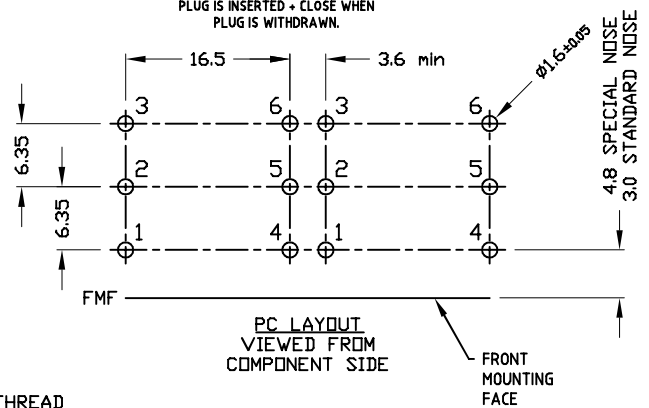
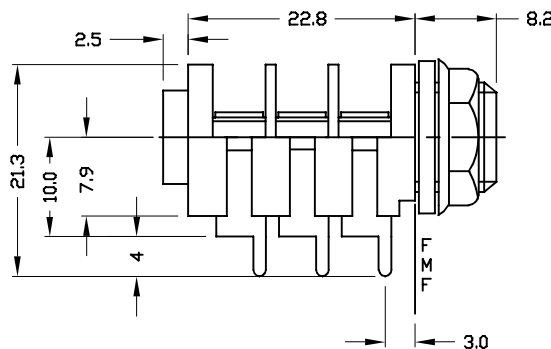
STEREO (BBB) JACK
SWITCH CONTACTS OPEN WHEN PLUG IS INSERTED + CLOSE WHEN PLUG IS WITHDRAWN.



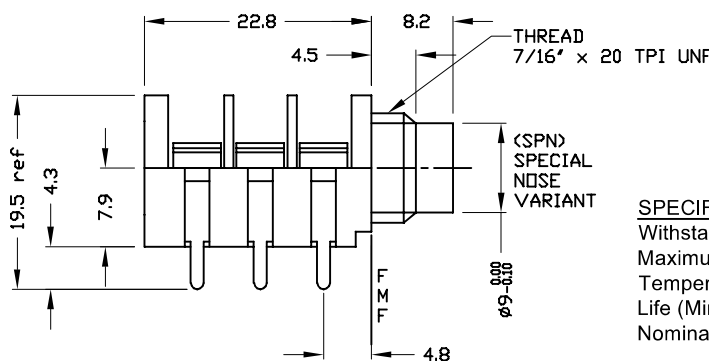
CL12207A



CL12327A



CL12345



SPECIFICATION

Withstand voltage: 2000V DC Min.
 Maximum Current: 5A
 Temperature Rating: -10° C to +70° C
 Life (Minimum): 10,000+ Operations
 Nominal Contact Resistance: <50mΩ

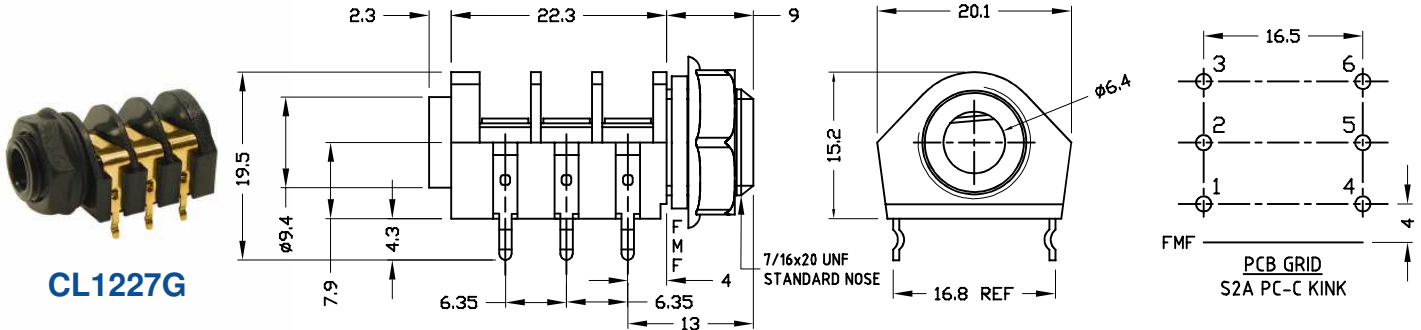
DESCRIPTION

- CL11607A** - Jack Socket Mono S2/BNB Solder Tag. Supplied assembled
- CL12207A** - Jack Socket Stereo S2/BBB Solder Tag. Supplied assembled
- CL12327A** - Jack Socket Stereo S2/BBB PC Tag Type A. Supplied assembled
- CL12345** - Jack Socket Stereo S2/BBB Special Nose PC Tag Type C. No nut or washers.

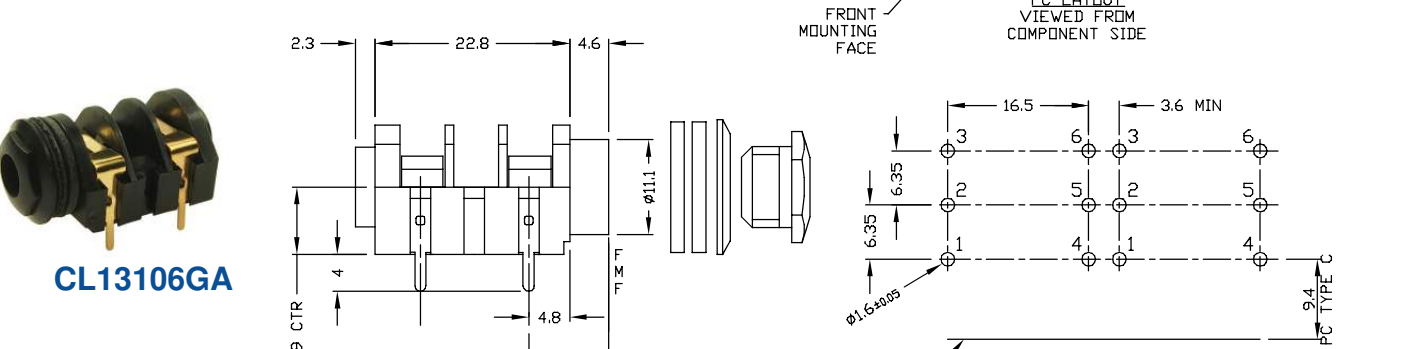
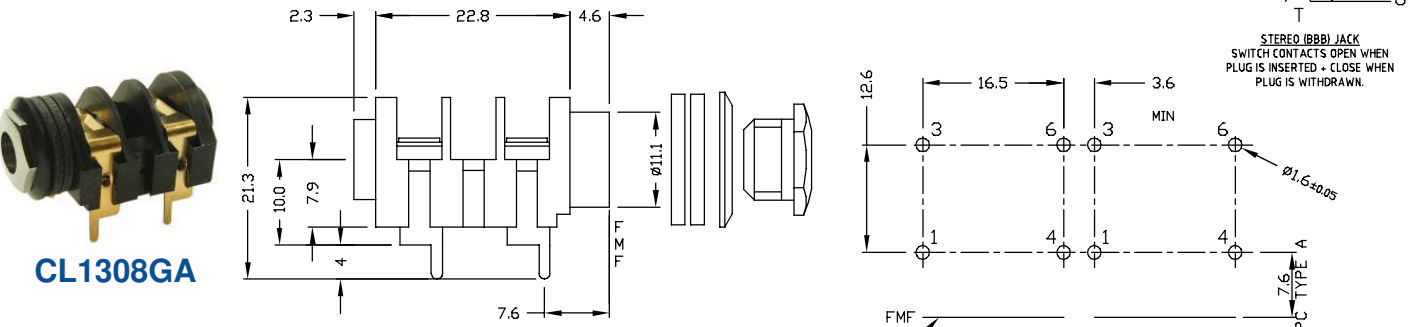
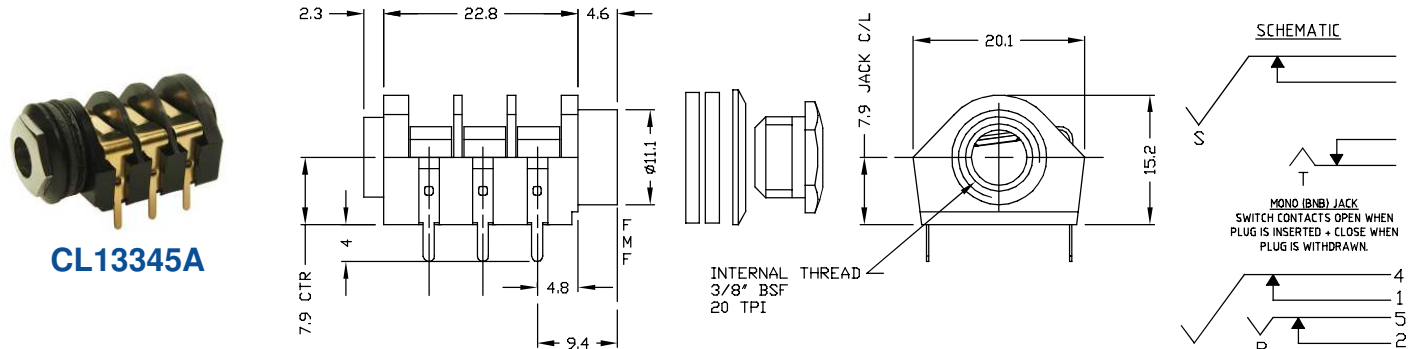
CLIFF

GOLD SWITCHED JACK SOCKETS

6.35mm JACK SOCKET



6.35mm JACK SOCKET



DESCRIPTION

- CL1227G** - Jack Socket Stereo S2A/BBB PC tag type C Kinked
- CL13345A** - Jack Socket Stereo S4/BBB PC tag type C. Supplied assembled
- CL1308GA** - Jack Socket Mono S4/BNB PC tag type A. Supplied assembled
- CL13106GA** - Jack Socket Mono S4/BNB PC tag type C. Supplied assembled



GOLD SWITCHED JACK SOCKETS

JACK SOCKET ACCESSORIES



CL14218 - BLACK COMBINED NUT/BEZEL
FOR S4 TYPE JACK SOCKET



CL14218GY - GREY COMBINED NUT/BEZEL
FOR S4 TYPE JACK SOCKET



CL14218R - RED COMBINED NUT/BEZEL
FOR S4 TYPE JACK SOCKET



CL1396 - RECESS PLATE TO ALLOW
FLUSH MOUNTING OF 6.35mm JACK SOCKETS

