

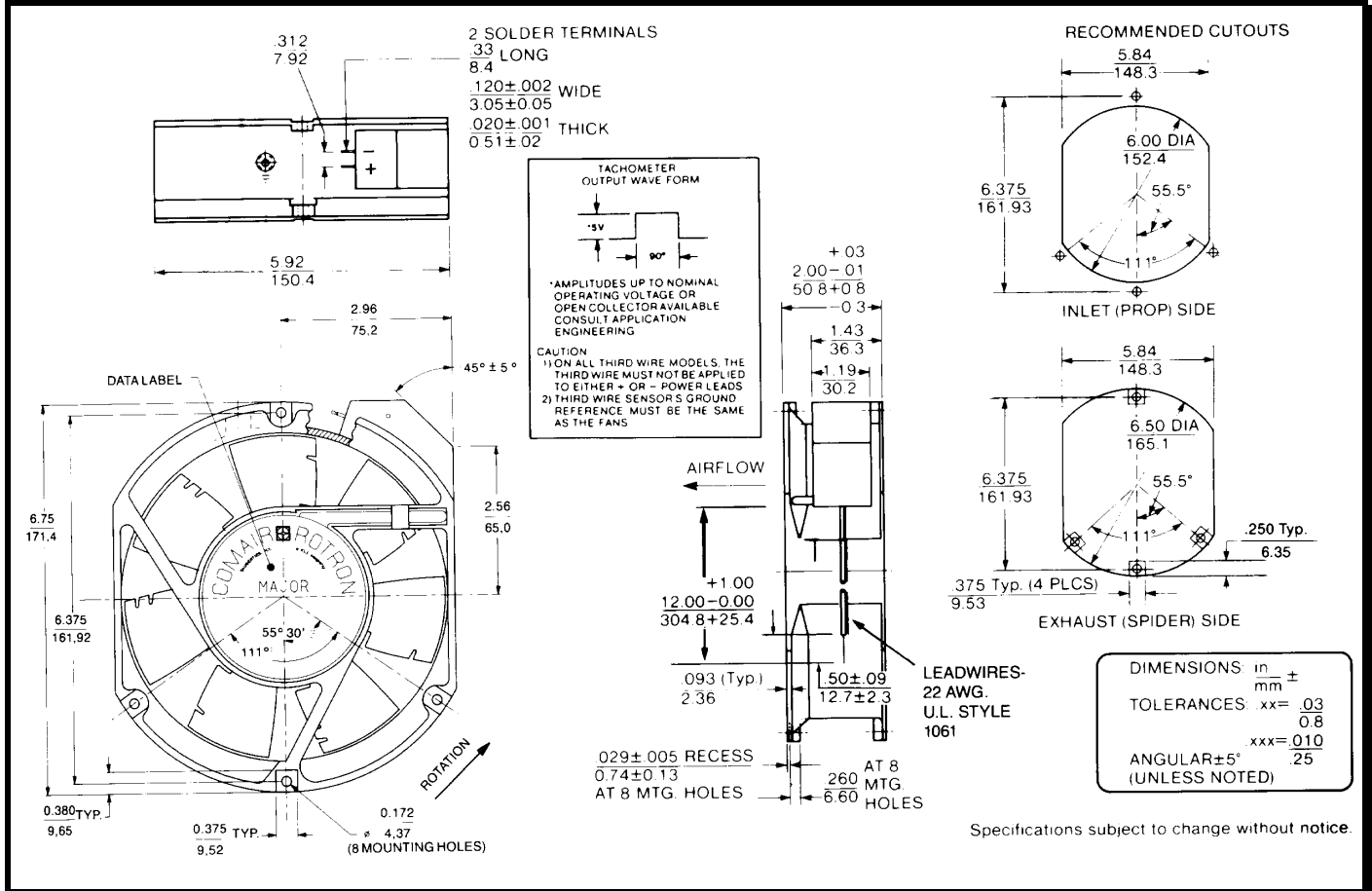
# SPECIFICATIONS



**Model Number:** JQ24B4  
**Part Number:** 19031090A

March 30, 2005

## Mechanical Drawing:



### Motor:

Nominal Voltage = 24 vdc  
 Operating Voltage Range = 12 - 28 vdc  
 Nominal Running Current = 1.00 amps  
 Locked Rotor Current = 1.55 amps  
 Running Power = 24.0 watts  
 Average Speed = 3425 rpm  
 Bearings = Ball  
 Air Flow = 235 CFM  
 Acoustic = 54.3 dBA

### Construction:

Venturi: Die-Cast Aluminum, Black  
 Propeller: Plastic, Black, UL 94V-0

### Life Expectancy:

This fan is designed for continuous duty life of 75,000 hours at 40°C.

### Additional Features:

Brushless DC Motor  
 Locked Rotor Protection  
 Polarity Protected  
 Automatic Restart Capability  
 Operating Temperature = -10°C to 70°C  
 Storage Temperature: = -40°C to 85°C

### Agency Approvals:

UL, CE

### Termination:

Two 0.120" Terminals