

- Package Options Include Plastic "Small Outline" Packages, Ceramic Chip Carriers, and Standard Plastic and Ceramic 300-mil DIPs
- Dependable Texas Instruments Quality and Reliability
- Totem-Pole Version of HC266

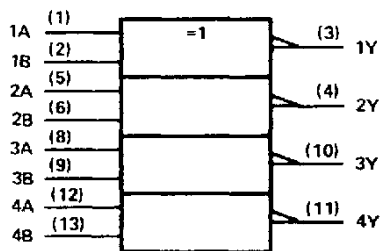
**description**

These devices are composed of four independent 2-input exclusive-NOR gates. They perform the Boolean functions:

$$Y = A \oplus B = \overline{A}B + A\overline{B} \text{ in positive logic.}$$

The SN54HC7266 is characterized for operation over the full military temperature range of -55°C to 125°C. The SN74HC7266 is characterized for operation from -40°C to 85°C.

**logic symbol†**

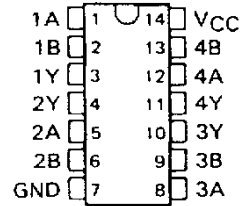


† This symbol is in accordance with ANSI/IEEE Std 91-1984 and IEC Publication 617-12. Pin numbers shown are for J or N packages.

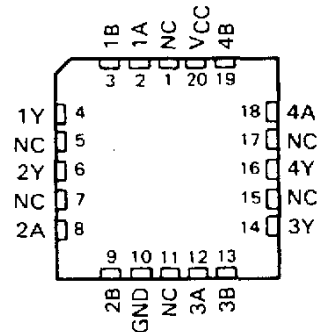
**logic symbol (each gate, positive logic)**



SN54HC7266 . . . J PACKAGE  
SN74HC7266 . . . D OR N PACKAGE  
(TOP VIEW)



SN54HC7266 . . . FK PACKAGE  
(TOP VIEW)



NC—No internal connection

**FUNCTION TABLE**

INPUTS		OUTPUT
A	B	Y
L	L	H
L	H	L
H	L	L
H	H	H

PRODUCTION DATA documents contain information current as of publication date. Products conform to specifications per the terms of Texas Instruments standard warranty. Production processing does not necessarily include testing of all parameters.



POST OFFICE BOX 655012 • DALLAS, TEXAS 75265

Copyright © 1984, Texas Instruments Incorporated

# SN54HC7266, SN74HC7266 QUADRUPLE 2-INPUT EXCLUSIVE-NOR GATES

## absolute maximum ratings over operating free-air temperature range†

Supply voltage, $V_{CC}$ .....	-0.5 V to 7 V
Input clamp current, $I_{IK}$ ( $V_I < 0$ or $V_I > V_{CC}$ ) .....	$\pm 20$ mA
Output clamp current, $I_{OK}$ ( $V_O < 0$ or $V_O > V_{CC}$ ) .....	$\pm 20$ mA
Continuous output current, $I_O$ ( $V_O = 0$ to $V_{CC}$ ) .....	$\pm 25$ mA
Continuous current through $V_{CC}$ or GND pins .....	$\pm 50$ mA
Lead temperature 1,6 mm (1/16 in) from case for 60 s: FK or J package .....	300°C
Lead temperature 1,6 mm (1/16 in) from case for 10 s: D or N package .....	260°C
Storage temperature range .....	-65°C to 150°C

†Stresses beyond those listed under "absolute maximum ratings" may cause permanent damage to the device. These are stress ratings only, and functional operation of the device at these or any other conditions beyond those indicated under "recommended operating conditions" is not implied. Exposure to absolute-maximum-rated conditions for extended periods may affect device reliability.

## recommended operating conditions

		SN54HC7266			SN74HC7266			UNIT	
		MIN	NOM	MAX	MIN	NOM	MAX		
$V_{CC}$	Supply voltage	2	5	6	2	5	6	V	
$V_{IH}$	High-level input voltage	$V_{CC} = 2$ V		1.5	$V_{CC} = 2$ V		1.5	V	
		$V_{CC} = 4.5$ V		3.15	$V_{CC} = 4.5$ V		3.15		
		$V_{CC} = 6$ V		4.2	$V_{CC} = 6$ V		4.2		
$V_{IL}$	Low-level input voltage	$V_{CC} = 2$ V		0	0.3	$V_{CC} = 2$ V		V	
		$V_{CC} = 4.5$ V		0	0.9	$V_{CC} = 4.5$ V			
		$V_{CC} = 6$ V		0	1.2	$V_{CC} = 6$ V			
$V_I$	Input voltage			0	$V_{CC}$	0		$V_{CC}$	
$V_O$	Output voltage			0	$V_{CC}$	0		$V_{CC}$	
$t_t$	Input transition (rise and fall) times	$V_{CC} = 2$ V		0	1000	$V_{CC} = 2$ V		ns	
		$V_{CC} = 4.5$ V		0	500	$V_{CC} = 4.5$ V			
		$V_{CC} = 6$ V		0	400	$V_{CC} = 6$ V			
$T_A$	Operating free-air temperature	-55			125	-40			85

## electrical characteristics over recommended operating free-air temperature range (unless otherwise noted)

PARAMETER	TEST CONDITIONS	$V_{CC}$	$T_A = 25^\circ\text{C}$			SN54HC7266		SN74HC7266		UNIT
			MIN	TYP	MAX	MIN	MAX	MIN	MAX	
$V_{OH}$	$V_I = V_{IH}$ or $V_{IL}$ , $I_{OH} = -20 \mu\text{A}$	2 V	1.9	1.998		1.9		1.9	V	
		4.5 V	4.4	4.499		4.4		4.4		
		6 V	5.9	5.999		5.9		5.9		
	4.5 V	3.98	4.30		3.7		3.84			
	$V_I = V_{IH}$ or $V_{IL}$ , $I_{OH} = -5.2 \text{ mA}$	6 V	5.48	5.80		5.2		5.34		
$V_{OL}$	$V_I = V_{IH}$ or $V_{IL}$ , $I_{OL} = 20 \mu\text{A}$	2 V		0.002	0.1		0.1		0.1	V
		4.5 V		0.001	0.1		0.1		0.1	
		6 V		0.001	0.1		0.1		0.1	
	4.5 V		0.17	0.26		0.4		0.33		
	$V_I = V_{IH}$ or $V_{IL}$ , $I_{OL} = 5.2 \text{ mA}$	6 V		0.15	0.26		0.4		0.33	
$I_I$	$V_I = V_{CC}$ or 0	6 V		$\pm 0.1$	$\pm 100$		$\pm 1000$		$\pm 1000$	nA
$I_{CC}$	$V_I = V_{CC}$ or 0, $I_O = 0$	6 V			2		40		20	$\mu\text{A}$
$C_i$		2 to 6 V		3	10		10		10	pF

TEXAS  
INSTRUMENTS

POST OFFICE BOX 655012 • DALLAS, TEXAS 75265

**SN54HC7266, SN74HC7266**  
**QUADRUPLE 2-INPUT EXCLUSIVE-NOR GATES**

switching characteristics over recommended operating free-air temperature range (unless otherwise noted),  $C_L = 50$  pF (see Note 1)

PARAMETER	FROM (INPUT)	TO (OUTPUT)	V <sub>CC</sub>	T <sub>A</sub> = 25 °C			SN54HC7266		SN74HC7266		UNIT
				MIN	TYP	MAX	MIN	MAX	MIN	MAX	
t <sub>pd</sub>	A or B	Y	2 V		40	100		150		125	ns
			4.5 V		12	20		30		25	
			6 V		10	17		25		21	
t <sub>t</sub>		Y	2 V		28	75		110		95	ns
			4.5 V		8	15		22		19	
			6 V		6	13		19		16	

C <sub>pd</sub>	Power dissipation capacitance per gate	No load, T <sub>A</sub> = 25 °C	35 pF typ
-----------------	--	---------------------------------	-----------

NOTE 1: Load circuits and voltage waveforms are shown in Section 1.

## **IMPORTANT NOTICE**

Texas Instruments and its subsidiaries (TI) reserve the right to make changes to their products or to discontinue any product or service without notice, and advise customers to obtain the latest version of relevant information to verify, before placing orders, that information being relied on is current and complete. All products are sold subject to the terms and conditions of sale supplied at the time of order acknowledgement, including those pertaining to warranty, patent infringement, and limitation of liability.

TI warrants performance of its semiconductor products to the specifications applicable at the time of sale in accordance with TI's standard warranty. Testing and other quality control techniques are utilized to the extent TI deems necessary to support this warranty. Specific testing of all parameters of each device is not necessarily performed, except those mandated by government requirements.

**CERTAIN APPLICATIONS USING SEMICONDUCTOR PRODUCTS MAY INVOLVE POTENTIAL RISKS OF DEATH, PERSONAL INJURY, OR SEVERE PROPERTY OR ENVIRONMENTAL DAMAGE ("CRITICAL APPLICATIONS"). TI SEMICONDUCTOR PRODUCTS ARE NOT DESIGNED, AUTHORIZED, OR WARRANTED TO BE SUITABLE FOR USE IN LIFE-SUPPORT DEVICES OR SYSTEMS OR OTHER CRITICAL APPLICATIONS. INCLUSION OF TI PRODUCTS IN SUCH APPLICATIONS IS UNDERSTOOD TO BE FULLY AT THE CUSTOMER'S RISK.**

In order to minimize risks associated with the customer's applications, adequate design and operating safeguards must be provided by the customer to minimize inherent or procedural hazards.

TI assumes no liability for applications assistance or customer product design. TI does not warrant or represent that any license, either express or implied, is granted under any patent right, copyright, mask work right, or other intellectual property right of TI covering or relating to any combination, machine, or process in which such semiconductor products or services might be or are used. TI's publication of information regarding any third party's products or services does not constitute TI's approval, warranty or endorsement thereof.