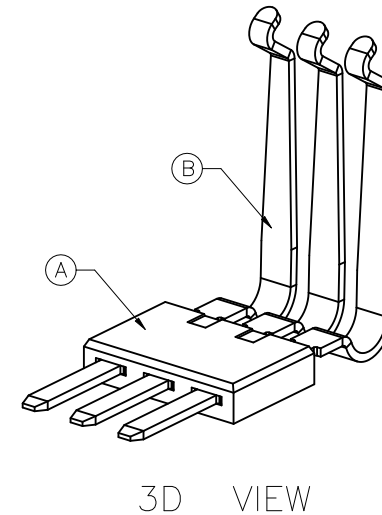
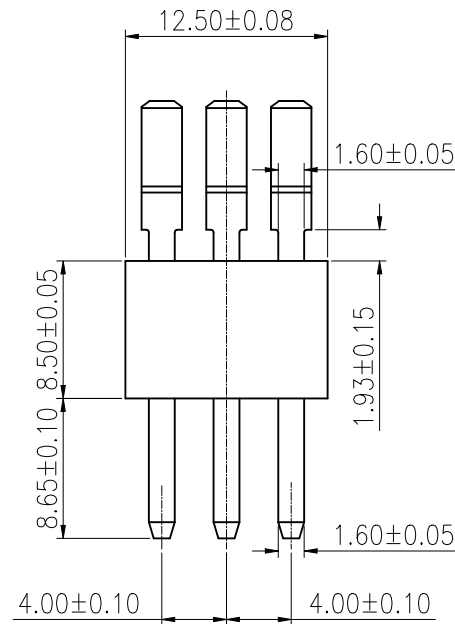
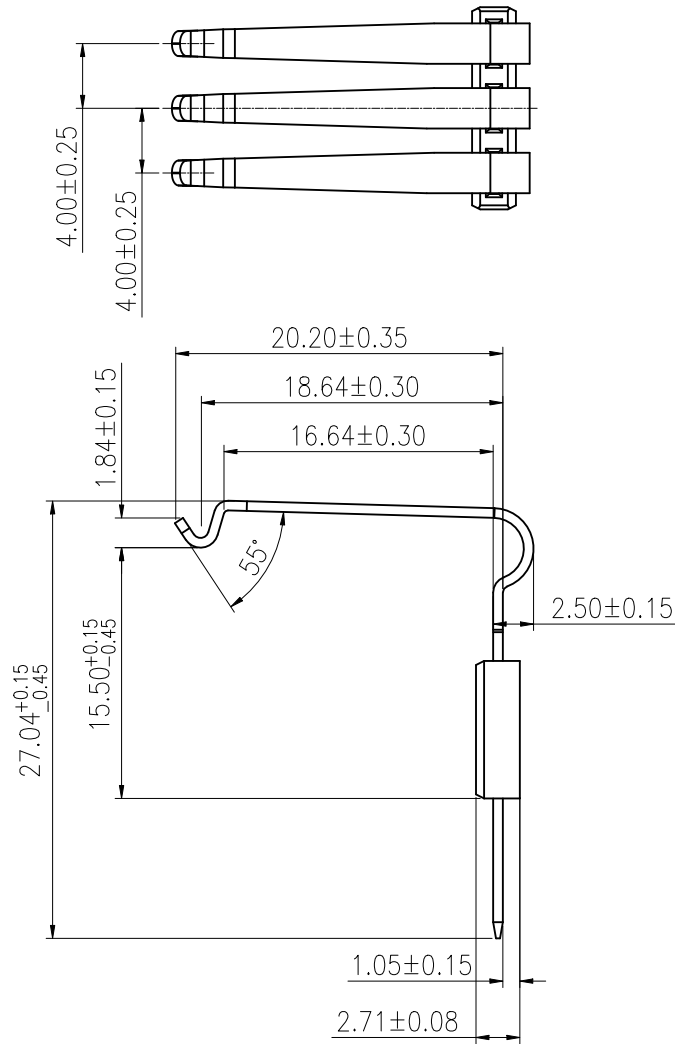


REV.	ECR/ECN No.	DESCRIPTION	DRAWN/DATE	CHECKED/DATE	APPROVED/DATE
E	ECN2022152	UPDATE FRAME	Abner 2022-09-28	Staven 2022-09-28	Sam 2022-09-28

NOTES:

- 1) MATERIALS: PHOSPHOR BRONZE T=0.60mm.
- 2) FINISH:NICKEL 120u"~200u" PLATED ON ALL OVER.
- 4) ALLOWING BURRS 0.05mm Max.
- 5) THE SURFACE IS NOT ALLOWED TO HAVE CRUSHING; SCRATCY8HG;DEFORMATION;DIE MARKS;OIL STAINS.
- 6) MATERIAL COMPLY WITH RoHS 2.0.



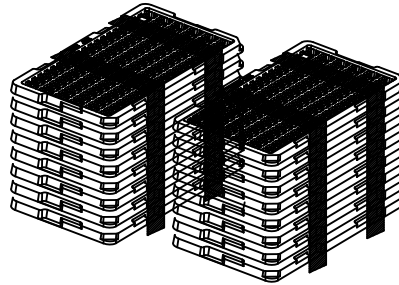
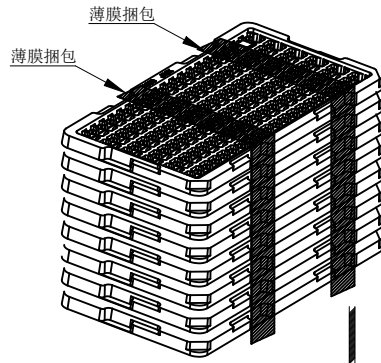
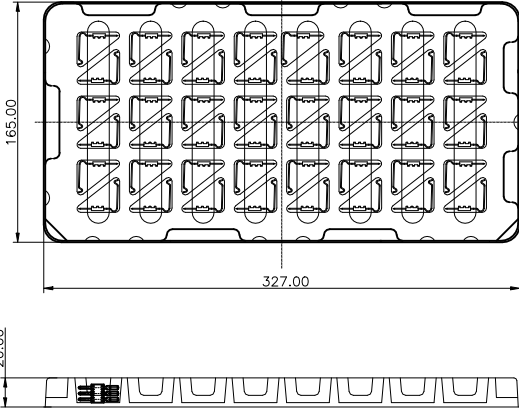
NO.	COMPONENTS	MATERIALS	SPECIFICATION:FINISH/COLOR	QTY.
A	HOUSING	GLASS FILLED	BLACK; UL94 V-0	1PCS
B	CONTACT	PHOSPHOR BRONZE	PLATING 120~200u" NICKEL.	3PCS

UNLESS OTHERWISE SPECIFIED TOLERANCES				ANGLE OF PROJECTION		Amphenol AORORA	
X.	±0.30	X. °	± 5'			Amphenol Aorora Technology (Huizhou) Co.,Ltd	
X.X	±0.25	X.X °	± 4'				
X.XX	±0.20	X.XX °	± 3'	DOC TYPE: Customer Drw		TITLE: 3PIN CONTACT SPRING	
X.XXX	±0.15	X.XXX °	± 2'	DRAWN DATE: Jessy 2017-12-08	DESIGN DATE: Jessy 2017-12-08	SIZE: A4	PART NUMBER: Z01F-1B7J4-11003-E200
DWG NO.: A-S0363		CHECKED DATE: Andy 2017-12-08		APPROVED DATE: Judy 2017-12-08		SCALE: 1:1	UNIT: mm
MATERIAL: SEE NOTES		FINISHED: SEE NOTES		SHEET 1 OF 1		REV. E	

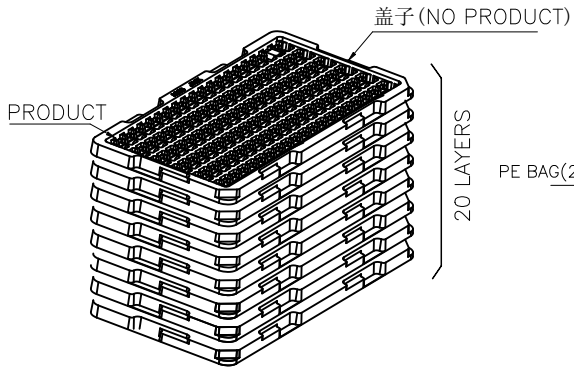
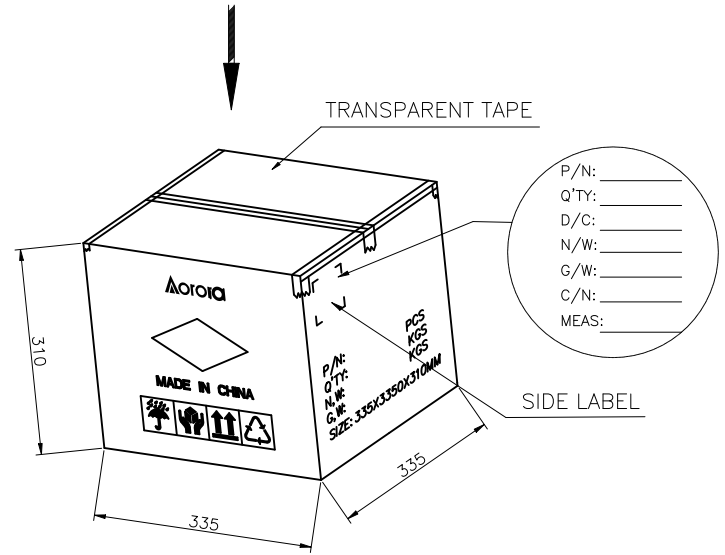
(1):PUT THE "3P SPRING" INTO TRAY;



(2):THE DIRECTION OF CONNECTORS(8PCS/ROW,TOTAL24PCS);

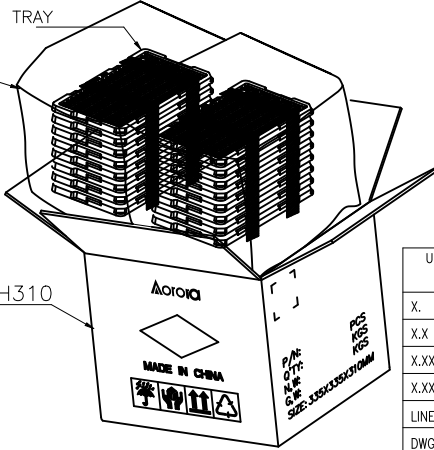


REV.	ECR/ECN No.	DESCRIPTION	DRAWN/DATE	CHECKED/DATE	APPROVED/DATE
B	ECN2022152	UPDATE FRAME	Abner 2022-09-28	Staven 2022-09-28	Sam 2022-09-28



20 LAYERS

PE BAG(2pcs)



NOTES:

1: PACKING DIMENSIONS:

CARTON:335X335X310mm

2: SPRING LEAF CARRIED BY TRAY,48PCS/TRAY,

3: 20TRAY/LAY,2LAY FIXED BY PE FILM,

4: 1920PCS/CARTON,SEALING&LABELED WITH AORORA LABEL.

UNLESS OTHERWISE SPECIFIED TOLERANCES				ANGLE OF PROJECTION		Amphenol AORORA	
X.	±0.25	X. *	± 5'			Amphenol Aorora Technology (Huizhou) Co.,Ltd	
X.X	±0.20	X.X *	± 3'				
X.XX	±0.10	X.XX *	± 0.2'	DOC TYPE		TITLE:	
X.XXX	±0.05	X.XXX *	± 0.1'	Packing Drw		3PIN SPRING	
LINEAR DIMS		ANGLES DIMS		DRAWN	DATE	Jessy	2016-09-08
DWG NO.:		A-H0191		DESIGN	DATE	Jessy	2016-09-08
MATERIAL		SEE NOTES		CHECKED	DATE	Andy	2016-09-08
FINISHED		SEE NOTES		APPROVED	DATE	Judy	2016-09-08
SIZE	PART NUMBER:		REV.				
A4	Z01F-1B7J4-11003-E200		B				
SCALE	1:1	UNIT : mm	SHEET 1 OF 1				



This document is the property of and embodies CONFIDENTIAL and PROPRIETARY information of AORORA. No part of the information shown on this document may be used in any way or disclosed to others without the written consent of AORORA. © 2019 AORORA