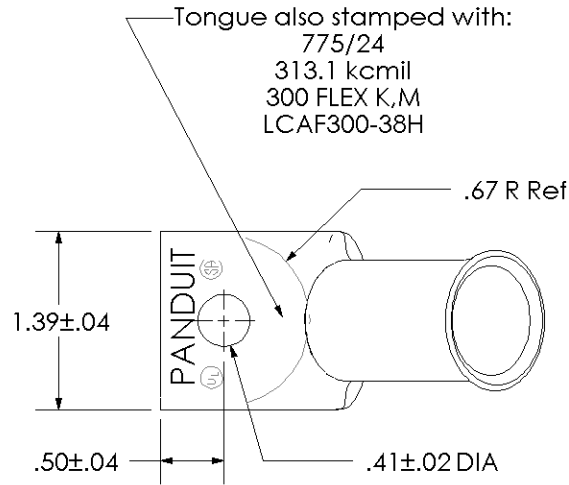
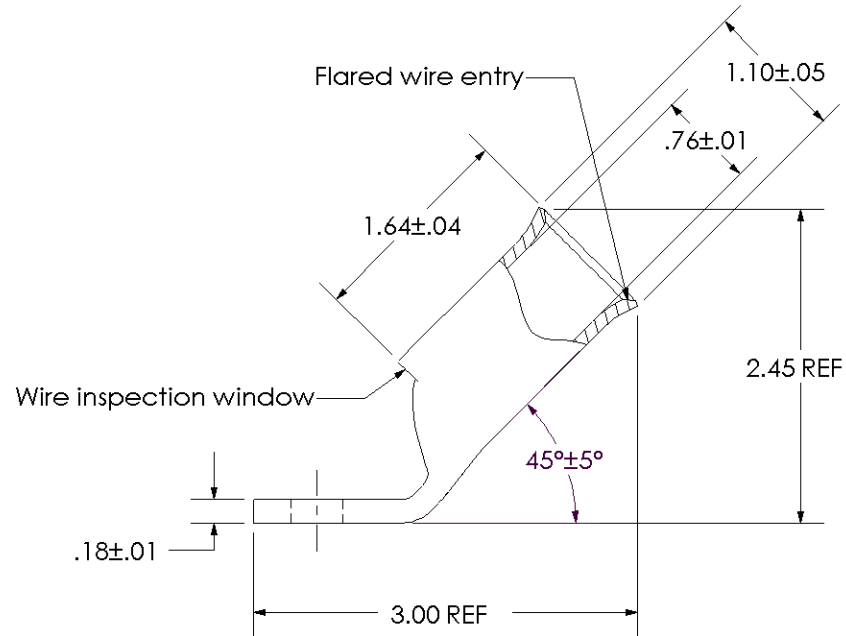


THIS COPY IS PROVIDED ON A RESTRICTED BASIS AND IS NOT TO BE USED IN ANY WAY DETRIMENTAL TO THE INTERESTS OF PANDUIT CORP.

Material	High Conductivity Seamless Copper Tube
Plating	Electro-Tin
Wire Size & Type	Stranded Copper Flex Cable; 313.1 kcmil (775/24) Diesel Locomotive, 300 kcmil Class K & Class M
Wire Strip Length	1-3/4 in.
Stud Size	3/8 in.
UL Listed Wire Connector	Yes, for applications up to 35kv. Consult cable manufacturer for voltage stress relief instructions with applications greater than 2000 volts.
UL Temperature Rating	90° C
C.S.A Certified Wire Connector	Yes
Panduit Color Code on Barrel	RED
Panduit Die Index No. on Barrel	P71
Alternate Industry Die Index No. ( ) on Barrel	(18)



Color coded barrel markings



00	8/02	SAB	DRL
REV	DATE	BY	CHK

RELEASED

DESCRIPTION

10322

ECN

SCALE  
N/A

DRAWING NO / CAD FILE

LCAF300-38H-CUST

**PANDUIT** CORP. TINLEY PARK, ILLINOIS

LCAF300-38H-6  
Copper Lug - One-Hole, Flared Barrel, 45° Angle Tongue