

QPD CW3PE2,5 2X6-10 GY - Conductor connectors



1423965

<https://www.phoenixcontact.com/us/products/1423965>

Please be informed that the data shown in this PDF document is generated from our online catalog. Please find the complete data in the user documentation. Our general terms of use for downloads are valid.



Conductor connectors, QUICKON connection, number of positions: 3+PE, 1 mm² ... 2.5 mm², 690 V, 20 A, gray, With two QUICKON nuts, external cable diameter: 6 mm ... 10 mm, QUICKON fast connection

Your advantages

- Innovative and time saving - QUICKON fast connection for time saving of up to 80 % for on-site connection
- Robust throughout: housing with IP68/IP69K and IK07 protection for a wide range of applications
- Safer connection with mechanical coding to protect against mismatching, and touch-proof protection in accordance with DIN EN 0105
- Easy and safe - with the cable connector, you can repair or extend cables quickly, in combination with the connector as well as the coupling connection

Commercial data

| | |
|--------------------------------------|---------------|
| Item number | 1423965 |
| Packing unit | 1 pc |
| Minimum order quantity | 1 pc |
| Sales key | BF50 |
| Product key | BF6CBB |
| GTIN | 4055626365831 |
| Weight per piece (including packing) | 71.1 g |
| Weight per piece (excluding packing) | 71 g |
| Customs tariff number | 85366990 |
| Country of origin | PL |

QPD CW3PE2,5 2X6-10 GY - Conductor connectors



1423965

<https://www.phoenixcontact.com/us/products/1423965>

Technical data

Mounting

| | |
|-------------------|-------------------------|
| Connection method | QUICKON fast connection |
|-------------------|-------------------------|

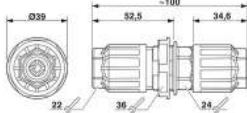
Product properties

| | |
|------------------------------------|-----------------|
| Type | QPD 4x2,5 |
| Product type | Cable connector |
| Product family | QPD |
| Number of positions | 4 |
| Connection profile | 3+PE |
| Position marking | 1, 2, 3, PE |
| Number of connections per position | 1 |
| Series | QPD |
| Coding | Coding profile |

Insulation characteristics

| | |
|----------------------|-----|
| Overvoltage category | III |
| Degree of pollution | 3 |

Dimensions

| | |
|---------------------|--|
| Dimensional drawing |  |
| Width | 39 mm |
| Height | 39 mm |
| Length | 100 mm |
| Diameter | 39 mm |

Connection data

Connection technology

| | |
|---|-------------------------|
| Connection method | QUICKON fast connection |
| Connection system, internal | IDC connection |
| Connection technology | QUICKON connection |
| Frequency of connections between conductors of the same cross section | max. 10 |

Conductor connection

| | |
|----------------------------------|---|
| Conductor cross section rigid | 1 mm ² ... 2.5 mm ² |
| Conductor cross section flexible | 1 mm ² ... 2.5 mm ² |
| Conductor cross section AWG | 16 ... 14 |
| Tightening torque, union nut | 7 Nm |
| Tightening torque, counter nut | 5 Nm |

1423965

<https://www.phoenixcontact.com/us/products/1423965>

Electrical properties

| | |
|-----------------------------|----------|
| Rated surge voltage (II/2) | 6 kV |
| Rated surge voltage (III/2) | 6 kV |
| Rated surge voltage (III/3) | 6 kV |
| Rated current | 20 A |
| Contact resistance | < 3 mΩ |
| rated voltage (II/2) | 1000 V |
| rated voltage (III/2) | 690 V |
| Rated voltage (III/3) | 690 V |
| Nominal voltage U_N | 690 V AC |
| | 690 V DC |
| Nominal current I_N | 20 A |

Mechanical properties

Mechanical data

| | |
|-----------------------------|---------|
| Insertion/withdrawal cycles | max. 50 |
|-----------------------------|---------|

Material specifications

| | |
|--|---------------|
| Material | PA |
| Flammability rating according to UL 94 | V0 |
| Contact material | Cu |
| Contact surface material | silver-plated |
| Contact carrier material | PA |

Cable/line

| | |
|---|------------------------------------|
| Structure of individual litz in acc. with VDE 0295 / smallest wire diameter | VDE 0295 class 1 to 6/min. 0.15 mm |
| External cable diameter () | 6 mm ... 10 mm |
| Wire diameter including insulation | 2 mm ... 3.6 mm |
| Position marking | 1, 2, 3, PE |
| Material wire insulation | PVC/PE/TPE/rubber |
| Halogen-free | yes |

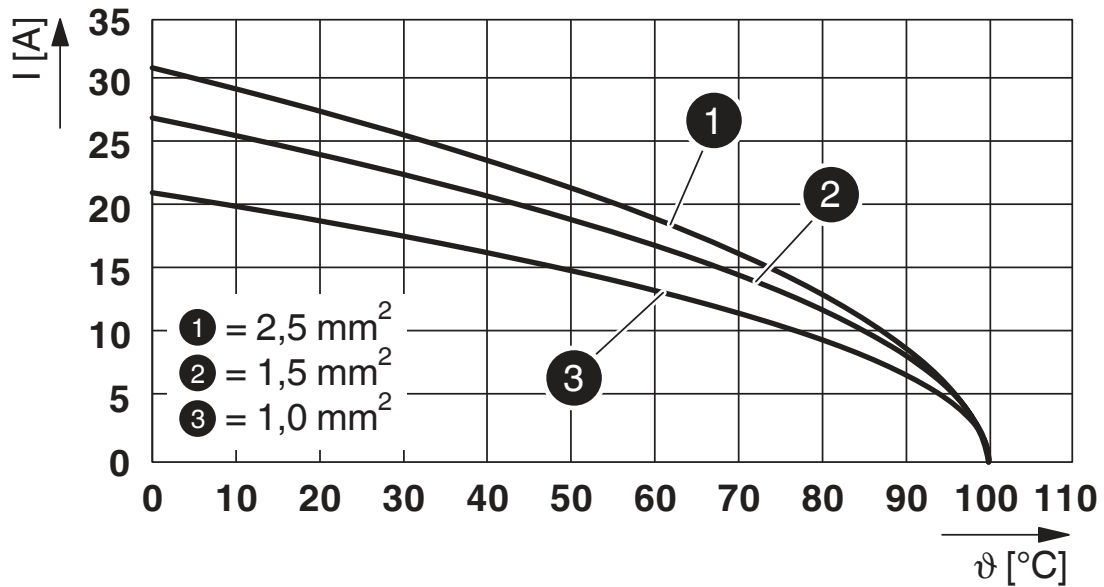
Environmental and real-life conditions

Ambient conditions

| | |
|---|-------------------|
| Degree of protection | IP66 |
| | IP68 (2 m / 24 h) |
| | IP69K |
| Ambient temperature (operation) | -40 °C ... 100 °C |
| Temperature when conductor connected | -5 °C ... 50 °C |
| Ambient temperature (storage/transport) | -40 °C ... 100 °C |

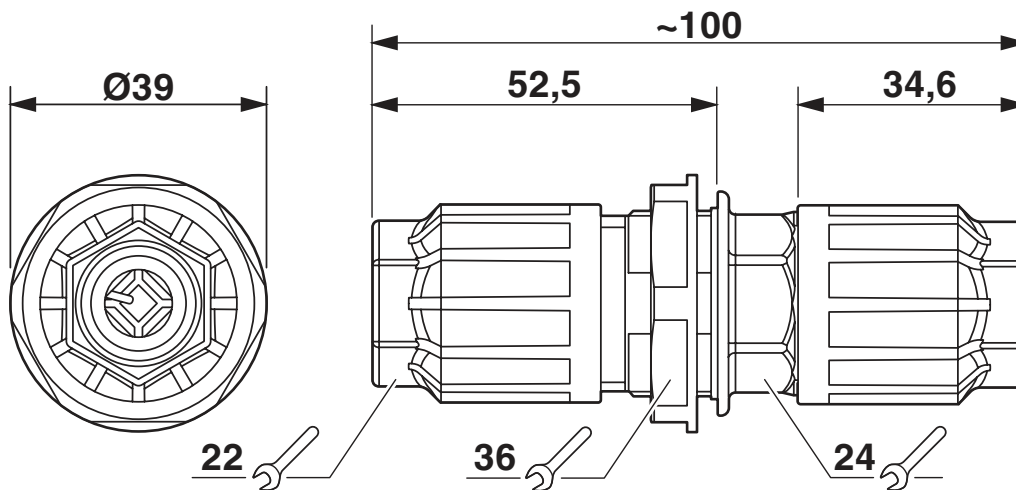
Drawings

Diagram



Derating diagram

Dimensional drawing



Dimensional drawing

QPD CW3PE2,5 2X6-10 GY - Conductor connectors



1423965

<https://www.phoenixcontact.com/us/products/1423965>

Approvals

To download certificates, visit the product detail page: <https://www.phoenixcontact.com/us/products/1423965>



IECEE CB Scheme

Approval ID: DE1-65875



EAC

Approval ID: RU C-DE.BL08.B.00511



VDE Zeichengenehmigung

Approval ID: 40029149

| | Nominal voltage U_N | Nominal current I_N | Cross section AWG | Cross section mm^2 |
|--------------------------|-----------------------|-----------------------|-------------------|-----------------------------|
| Only flexible conductors | 400 V | 20 A | - | 1.5 - 2.5 |
| Only rigid conductors | 690 V | 20 A | - | 1.5 - 2.5 |



UL Listed

Approval ID: E468743

| | Nominal voltage U_N | Nominal current I_N | Cross section AWG | Cross section mm^2 |
|--|-----------------------|-----------------------|-------------------|-----------------------------|
| | 600 V | 10 A | - | - 16 |



cUL Listed

Approval ID: E468743

| | Nominal voltage U_N | Nominal current I_N | Cross section AWG | Cross section mm^2 |
|--|-----------------------|-----------------------|-------------------|-----------------------------|
| | 600 V | 10 A | - 16 | - |

cULus Listed

QPD CW3PE2,5 2X6-10 GY - Conductor connectors



1423965

<https://www.phoenixcontact.com/us/products/1423965>

Classifications

ECLASS

| | |
|-------------|----------|
| ECLASS-11.0 | 27440605 |
| ECLASS-13.0 | 27440605 |
| ECLASS-12.0 | 27440605 |

ETIM

| | |
|----------|----------|
| ETIM 8.0 | EC002560 |
|----------|----------|

UNSPSC

| | |
|-------------|----------|
| UNSPSC 21.0 | 39121400 |
|-------------|----------|

QPD CW3PE2,5 2X6-10 GY - Conductor connectors



1423965

<https://www.phoenixcontact.com/us/products/1423965>

Environmental product compliance

| | |
|------------|---|
| China RoHS | Environmentally friendly use period: unlimited = EFUP-e |
| | No hazardous substances above threshold values |

QPD CW3PE2,5 2X6-10 GY - Conductor connectors



1423965

<https://www.phoenixcontact.com/us/products/1423965>

Accessories

CP QPD 4X2,5 - Coding profile

1425950

<https://www.phoenixcontact.com/us/products/1425950>



Coding profile red, for pushing into the QUICKON dome and connector, can be positioned in 90° steps.

QPD QSK 5X1,5 - Protective cap

1414758

<https://www.phoenixcontact.com/us/products/1414758>



Protective cap plastic, for QPD-QUICKON connection 5x 1.5 mm², IP50

QPD CW3PE2,5 2X6-10 GY - Conductor connectors

1423965

<https://www.phoenixcontact.com/us/products/1423965>



QPD QSK BK 5X1,5 FS - Protective cap

1414728

<https://www.phoenixcontact.com/us/products/1414728>

Protective cap, plastic, for QUICKON connection, black, with retaining cord, IP68



SEALING PLUG 10X16 RD - Closing cap

1400284

<https://www.phoenixcontact.com/us/products/1400284>

Closing cap, for threads pluggable, color: red



QPD CW3PE2,5 2X6-10 GY - Conductor connectors



1423965

<https://www.phoenixcontact.com/us/products/1423965>

QSS 22 - Socket wrench

1670206

<https://www.phoenixcontact.com/us/products/1670206>



Allen wrench, for loosening and fastening the QUICKON union nut, WAF 22 mm

Phoenix Contact 2023 © - all rights reserved

<https://www.phoenixcontact.com>

Phoenix Contact USA
586 Fulling Mill Road
Middletown, PA 17057, United States
(+717) 944-1300
info@phoenixcon.com