

MODEL: CPS-4242-100T | **DESCRIPTION:** SIREN**FEATURES**

- siren tone
- internally driven
- through hole

**SPECIFICATIONS**

parameter	conditions/description	min	typ	max	units
rated voltage			12		Vdc
operating voltage		6		15	Vdc
current consumption	at rated voltage			200	mA
rated frequency		1,500		4,000	Hz
sound pressure level	at 30 cm, rated voltage	100			dB
tone	siren, at rated voltage				
dimensions	Ø42.5 x 42.0				mm
weight				60.8	g
material	ABS (UL94 1/16" HB)				
terminal	pins (tin plating)				
operating temperature		-30		85	°C
storage temperature		-40		95	°C
washable	no				
RoHS	yes				

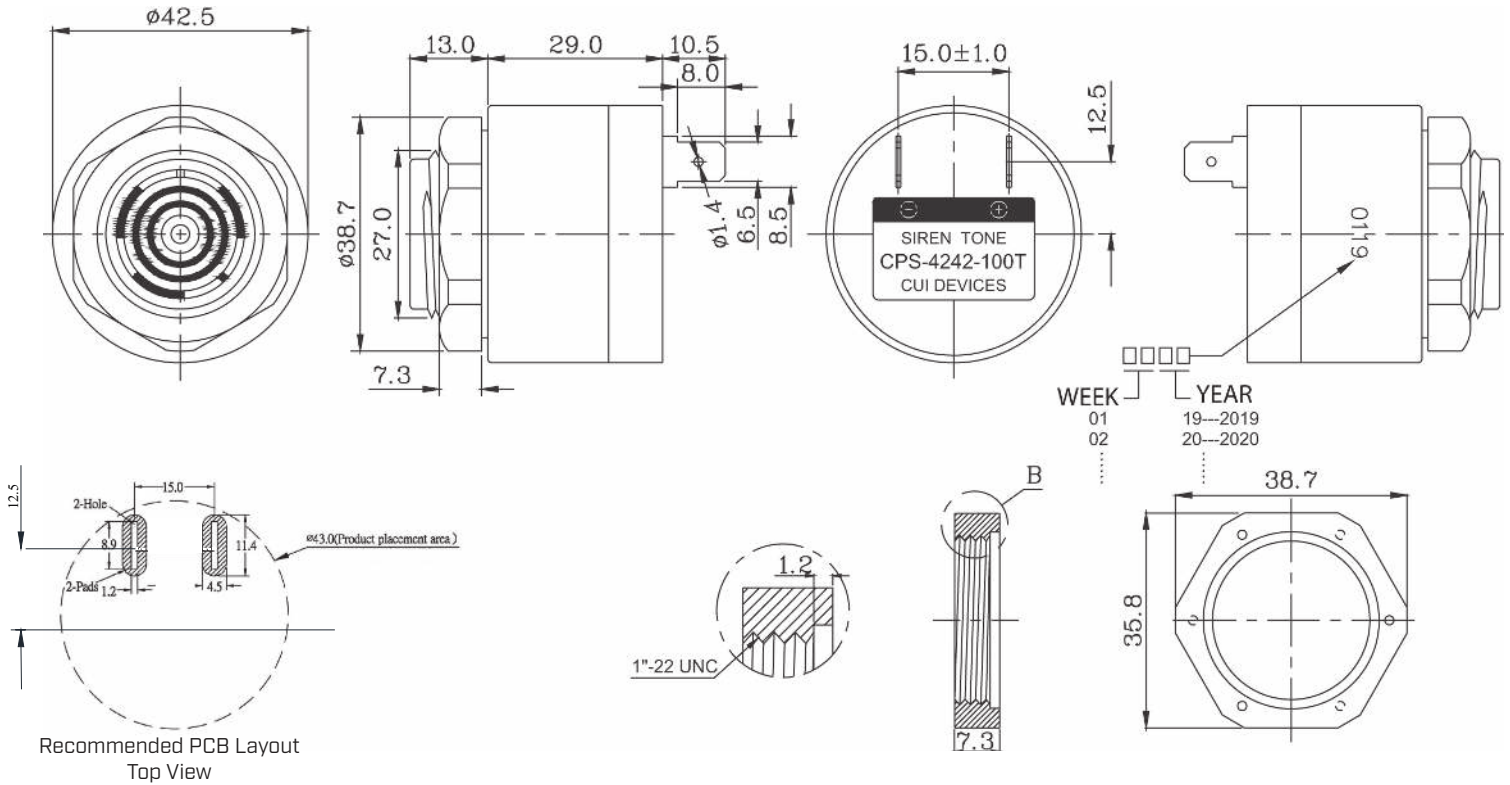
Notes: 1. All specifications measured at 5-35°C, humidity at 45-85%, under 86-106 kPa pressure, unless otherwise noted.

SOLDERABILITY

parameter	conditions/description	min	typ	max	units
hand soldering	maximum 3 seconds	330	350	370	°C

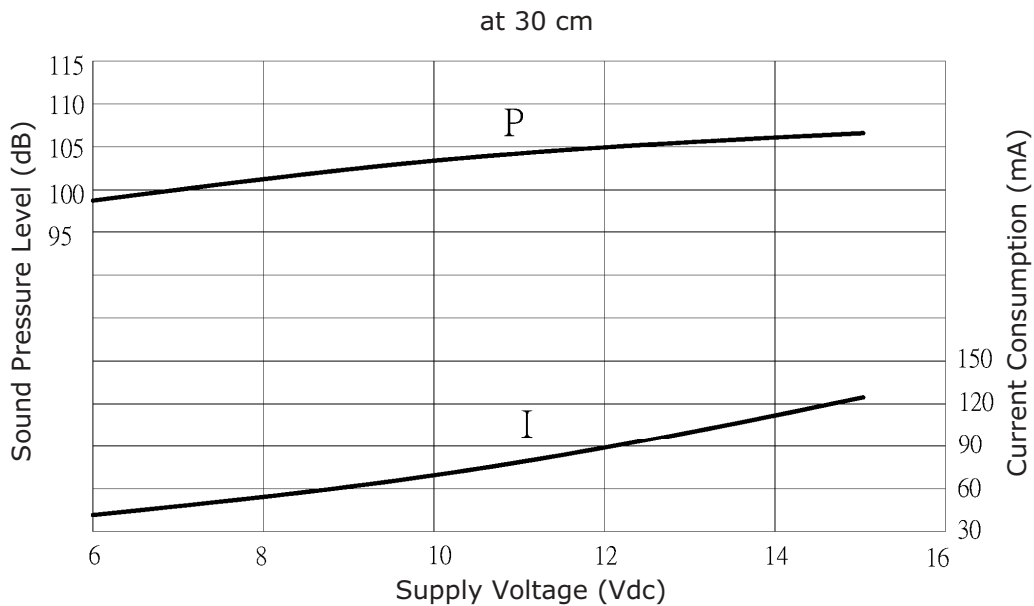
MECHANICAL DRAWING

units: mm
tolerance: ±0.5 mm



DRIVING CIRCUIT

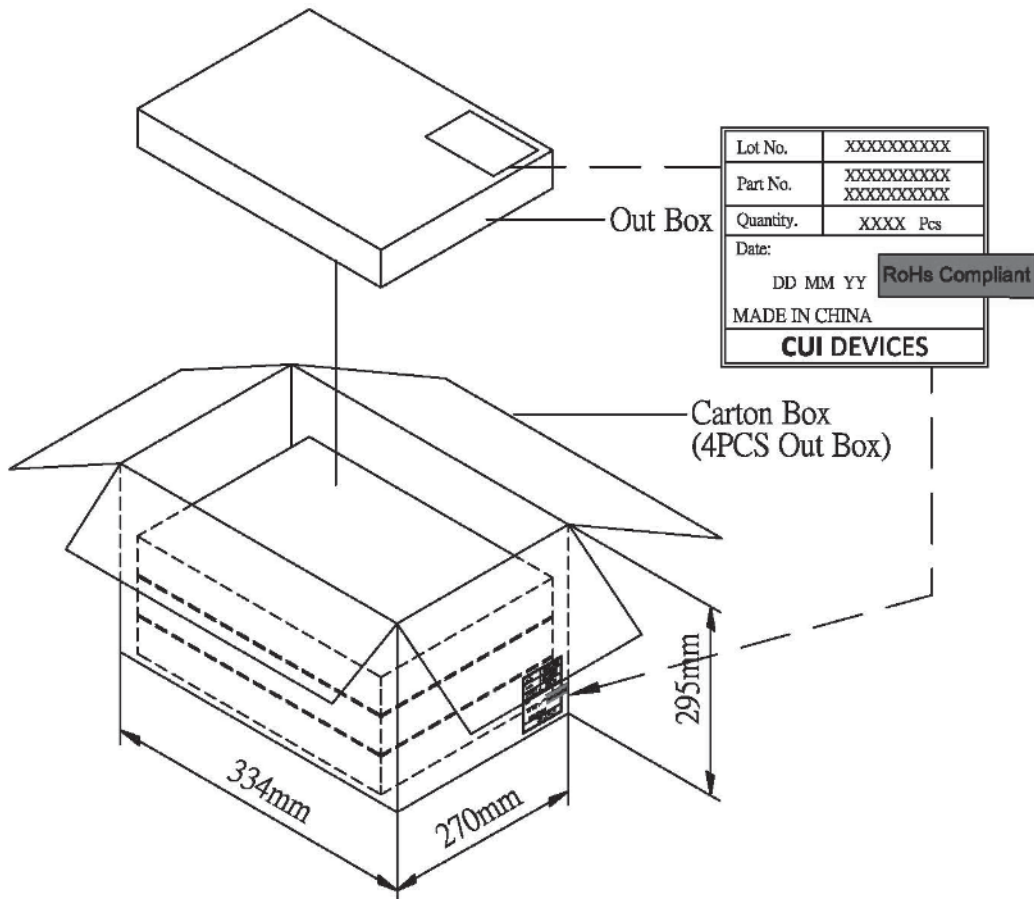
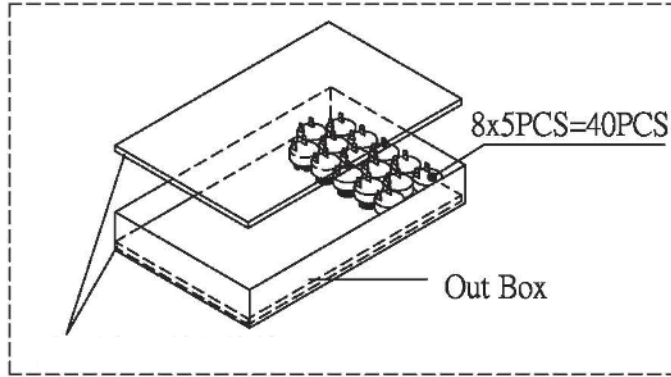
P: Voltage vs. Sound Pressure Level
I: Voltage vs. Current Consumption



PACKAGING

units: mm

Carton Size: 334 x 270 x 295 mm
 Carton QTY: 160 pcs per carton



REVISION HISTORY

rev.	description	date
1.0	initial release	01/22/2020
1.01	logo, datasheet style update	08/05/2022

The revision history provided is for informational purposes only and is believed to be accurate.



CUI Devices offers a one (1) year limited warranty. Complete warranty information is listed on our website.

CUI Devices reserves the right to make changes to the product at any time without notice. Information provided by CUI Devices is believed to be accurate and reliable. However, no responsibility is assumed by CUI Devices for its use, nor for any infringements of patents or other rights of third parties which may result from its use.

CUI Devices products are not authorized or warranted for use as critical components in equipment that requires an extremely high level of reliability. A critical component is any component of a life support device or system whose failure to perform can be reasonably expected to cause the failure of the life support device or system, or to affect its safety or effectiveness.

cuidevices.com