



### FEATURES

- ▶ Low-cost, high-performance replacement for many OEM DPMs
- ▶ Optional RED or GREEN backlighting
- ▶ Mounting choices:
  - Window mount for custom OEM
  - Surface mount with minimum space behind the panel
- ▶ Low power: choice of 180µA (9V, ±5V) or 2.5mA (+5V)
- ▶ Space-saving design: only 1" (25 mm) deep
- ▶ Occupies less than 2.5 X 1.1 inches of front panel space
- ▶ 3½ digits with high-contrast LCD
- ▶ Optional loop powered 4-20mA process inputs available (DK590)

### SPECIFICATIONS

#### DISPLAY

Digits: 3 ½ digits (±1999 counts)  
 Type: 0.5" (12mm) high-contrast reflective LCD  
 Backlighting: Optional Red Negative (red numbers/black background)  
 Optional Green Negative (green numbers/black background)  
 Optional Green Positive (black numbers/green background)  
 automatic, "-" displayed  
 Decimal Points: 3 position, user-selectable  
 Overrange: three lower order digits blank for inputs >1999 & < -1999  
 Hold: available OEM option, contact factory

#### INPUTS

Ranges: ±200.0 mV, ±2.000 V, ±20.00 VDC  
 Configuration: bipolar & differential  
 Protection: ±350 VDC, (±100 VDC on 200 mV range)  
 Impedance: >10 MΩ, (>1 MΩ on 20 V range)

#### PERFORMANCE

Accuracy: ±(0.1% + 1 count) typical  
 ±(0.1% + 2 counts) maximum  
 Conversion Rate: 2.5 per second  
 Normal Mode Rejection: >30 dB @ 60 Hz  
 Common Mode Range: ±1 VDC  
 Common Mode Rej.: >86 dB  
 Zero Adjustment: automatic  
 Warmup: 10 minutes typical  
 Temperature Coeff.: ±100 ppm per °C typical

#### ENVIRONMENT

Operating Range: 0 to 50 °C  
 Storage Range: -10 to 70 °C

#### POWER SUPPLY

5V powered: +5 VDC (±5%) at 2.5 mA  
 9V(±5V) powered: +7.2 to +12 V at 180 µA  
 Optional Backlight: +5 VDC at 100 mA typical

#### MOUNTING

surface or window mount

#### CONNECTION

13 pins, 0.025" square on 0.1" centers - pin 3 missing

### ORDERING INFO

PART NUMBER	BACKLIGHT COLOR	METER INPUT	METER POWER	BACKLIGHT POWER
DK101	.....NO BACKLIGHT	.....200mV	.....9V	.....NONE
DK102	.....NO BACKLIGHT	.....2V	.....9V	.....NONE
DK103	.....NO BACKLIGHT	.....20V	.....9V	.....NONE
DK301	.....NO BACKLIGHT	.....200mV	.....5V	.....NONE
DK302	.....NO BACKLIGHT	.....2V	.....5V	.....NONE
DK303	.....NO BACKLIGHT	.....20mV	.....5V	.....NONE
DK311	.....POS GREEN	.....200mV	.....9V	.....5VDC
DK312	.....POS GREEN	.....2V	.....9V	.....5VDC
DK331	.....POS GREEN	.....200mV	.....5V	.....5VDC
DK332	.....POS GREEN	.....2V	.....5V	.....5VDC
DK411	.....NEG GREEN	.....200mV	.....9V	.....5VDC
DK412	.....NEG GREEN	.....2V	.....9V	.....5VDC
DK431	.....NEG GREEN	.....200mV	.....5V	.....5VDC
DK432	.....NEG GREEN	.....2V	.....5V	.....5VDC
DK511	.....NEG RED	.....200mV	.....9V	.....5VDC
DK512	.....NEG RED	.....2V	.....9V	.....5VDC
DK531	.....NEG RED	.....200mV	.....5V	.....5VDC
DK532	.....NEG RED	.....2V	.....5V	.....5VDC

#### ACCESSORIES

J1C4	.....4 Pin Connector / Wire Assembly
J1C13	.....13 Pin Connector / Wire Assembly
PW2-5	.....Regulated 120V AC to 5V DC Power Supply
PW2-12	.....Regulated 120V AC to 12V DC Power Supply
CVC	.....Calibrator

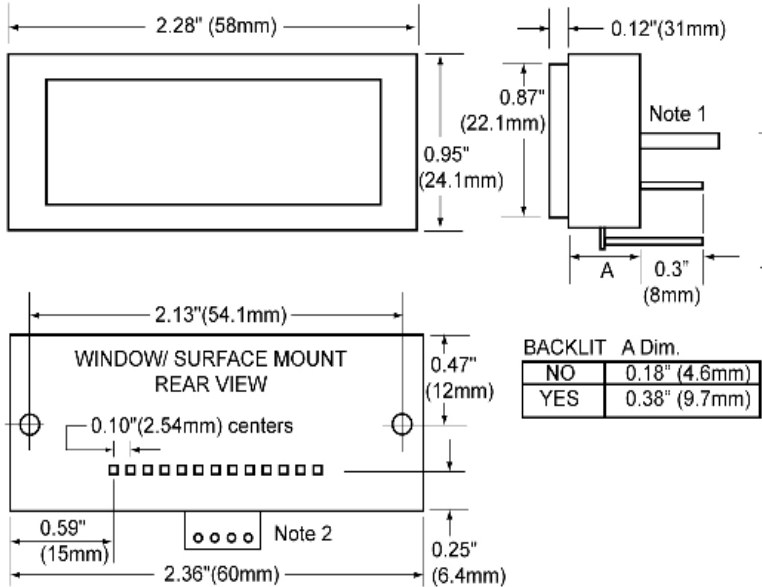


Specifications Installation and Operating Instructions  
**LCD Digital Panel Meters**  
 Low Cost 3½ Digit LCD Display

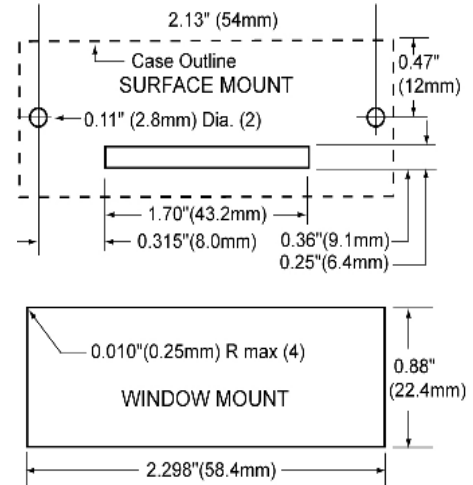
**DK100/300**



**WINDOW/SURFACE MOUNT DIMENSIONS**



**PANEL CUTOUTS**



**WIRING CONNECTIONS**

**PIN # PIN NAME DESCRIPTION**

1	V+	POSITIVE SUPPLY CONNECTION
2	V-	NEGATIVE SUPPLY CONNECTION
3	NC	NO PIN
4	GND	NEG PWR FOR +5V DPMS
5	COM	ANALOG COMMON
6	INLO	DISPLAY INPUTS: DISPLAY IS NEGATIVE
7	INHI	IF INHI IS LOWER THAN INLO
8	RFL (CLK)	NEGATIVE REFERENCE INPUT (AND OPTIONAL HOLD)
9	RFH	POSITIVE REFERENCE INPUT
10	RDH	INTERNAL REFERENCE OUTPUT
11	D3	DECIMAL POINT = 1XX.X*
12	D2	DECIMAL POINT = 1X.XX*
13	D1	DECIMAL POINT = 1.XXX*

\*CONNECT TO PIN 1