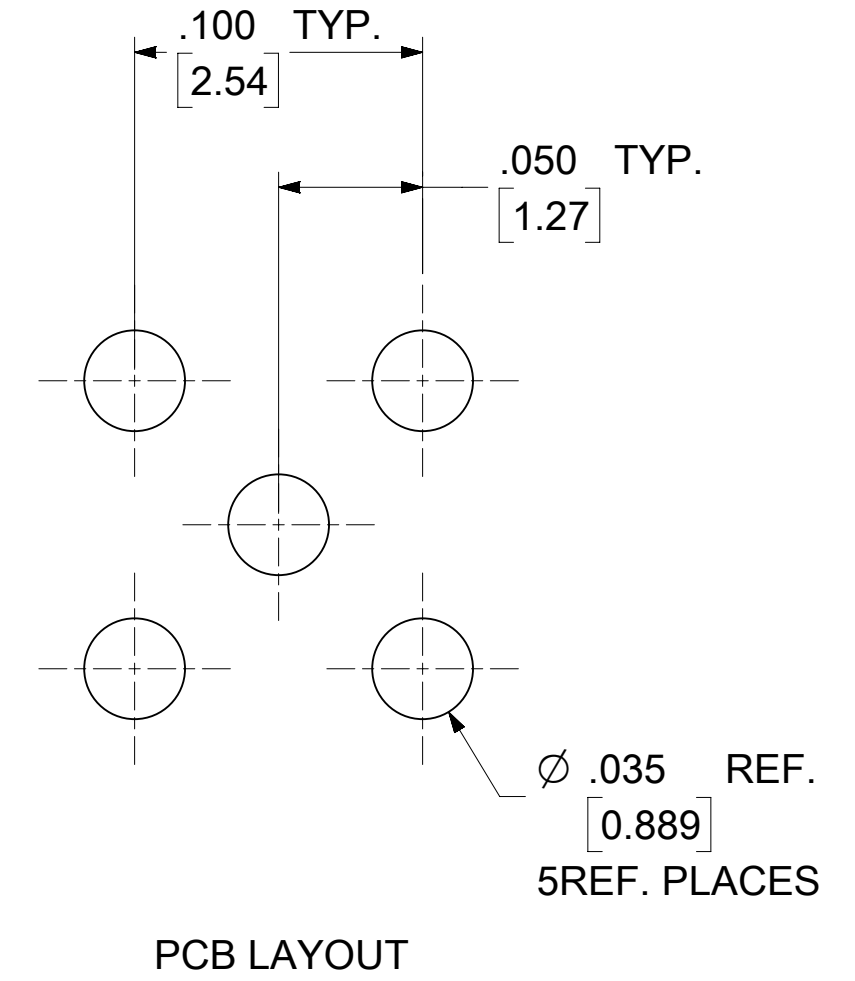
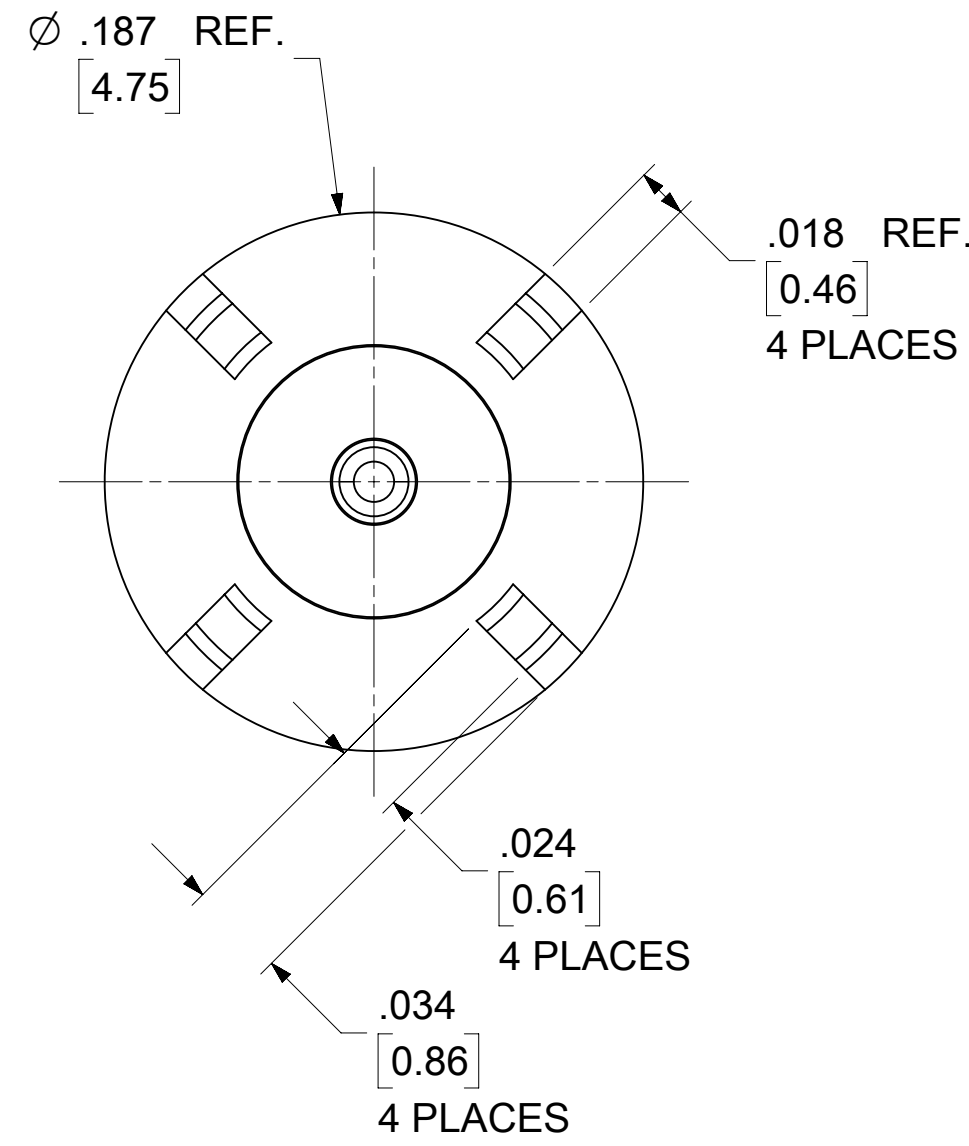
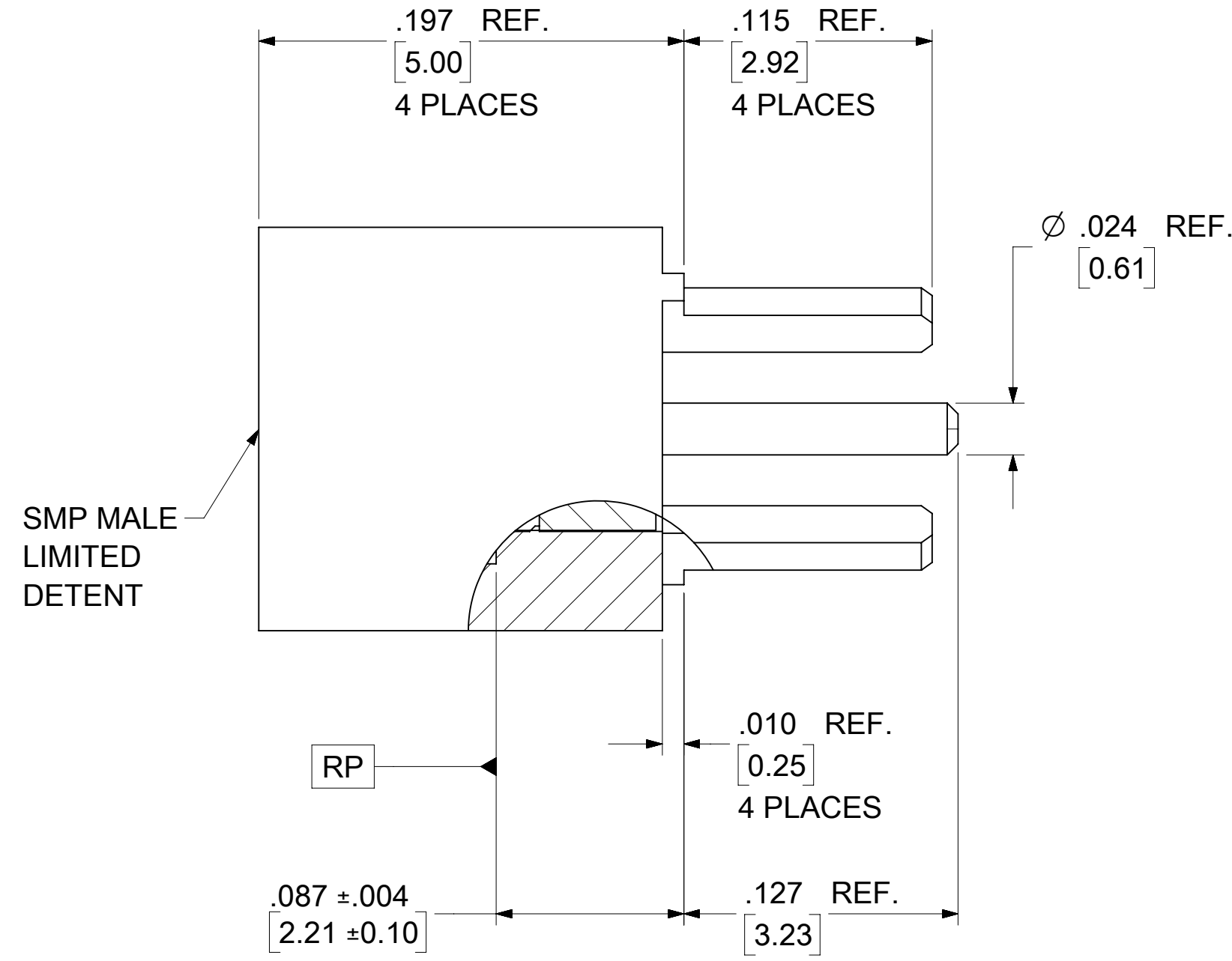
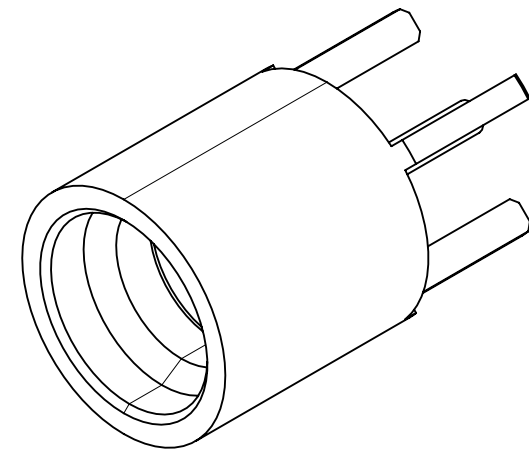


MATERIALS AND FINISHES:

BODY, CONTACT: BERYLLIUM COPPER
 PLATED: GOLD (50µ-in MIN)
 OVER NICKEL (100µ-in MIN)

INSULATOR: PTFE



LABEL FORMAT FOR
73415-6991

PART NUMBER: 73415-6990
 ORDER NUMBER: 73415-6991
 MOLEX
 DATE: YYWW

73415-6991	73415-6990 ONE PER BAG	895420470
73415-6990	73415-6990 TRAY	895420040
PART NO.	DESCRIPTION	PACKING SPEC

PS-89675-3320	PRODUCT SPECIFICATION
MIL-STD-348B, FIG. 326.3	INTERFACE SMP P LD
SPECIFICATION	DESCRIPTION

DOCUMENT STATUS	P1	RELEASE DATE	2022/08/30	02:55:05
-----------------	----	--------------	------------	----------

FUNCTIONAL SYMBOLS FA = 0 FC = 0 FD = 0	THIS DRAWING CONTAINS INFORMATION THAT IS PROPRIETARY TO MOLEX ELECTRONIC TECHNOLOGIES, LLC AND SHOULD NOT BE USED WITHOUT WRITTEN PERMISSION		CURRENT REV DESC: ADD 73415-6991 PER EWR# 15321-C	
	DIMENSION UNITS INCH/MM	SCALE NTS	EC NO: 718723	
DIVISIONAL SYMBOLS FA = 0 FC = 0 FD = 0	GENERAL TOLERANCES (UNLESS SPECIFIED)		DRWN: ELIN 2022/08/23	
	ANGULAR TOL ± 2.0°		CHK'D: YCHENG 2022/08/30	
4 PLACES ±		APPR: YCHENG 2022/08/30		
3 PLACES ±		INITIAL REVISION:		
2 PLACES ± 0.25		DRWN: AROBERTSON 2008/03/17		
1 PLACE ±		APPR: JWIENER 2008/03/17		
0 PLACES ±		THIRD ANGLE PROJECTION		
DRAFT WHERE APPLICABLE MUST REMAIN WITHIN DIMENSIONS		DRAWING C-SIZE	SERIES 73415	DOCUMENT NUMBER SD-73415-699
		MATERIAL NUMBER SEE TABLE		DOC TYPE PSD
		CUSTOMER GENERAL MARKET		DOC PART 001
		SHEET NUMBER 1 OF 1		REVISION C2

molex

SMP MALE LIMITED DETENT
 VERTICAL PCB THRU SMP-P/PCB, EWR-3568

PRODUCT CUSTOMER DRAWING

SD-73415-699

DOC TYPE DOC PART REVISION

PSD 001 C2

SHEET NUMBER

1 OF 1