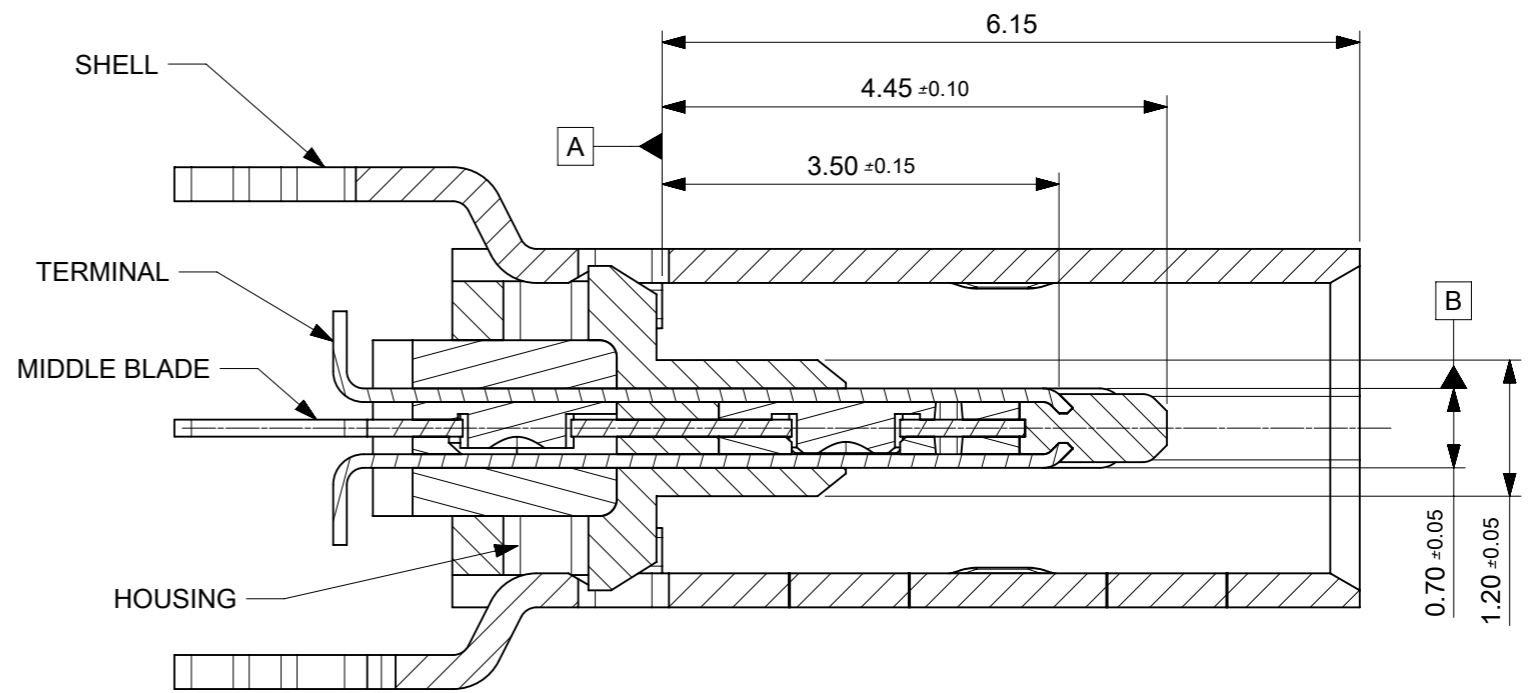
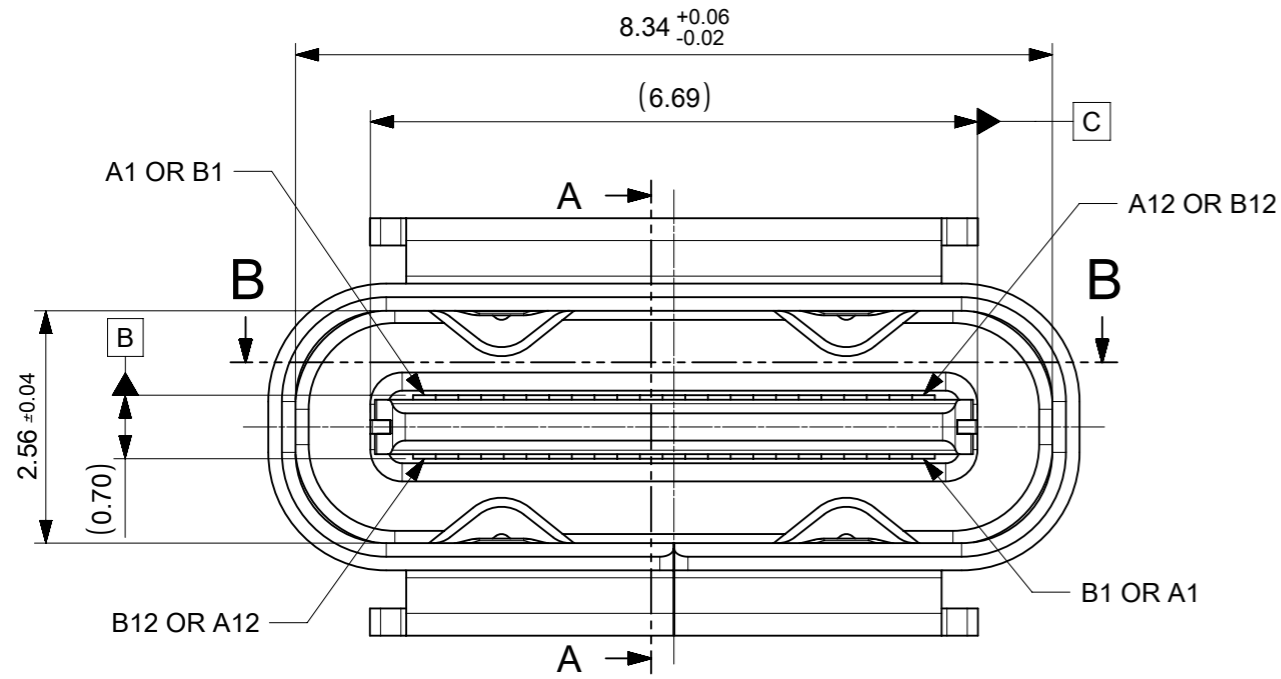
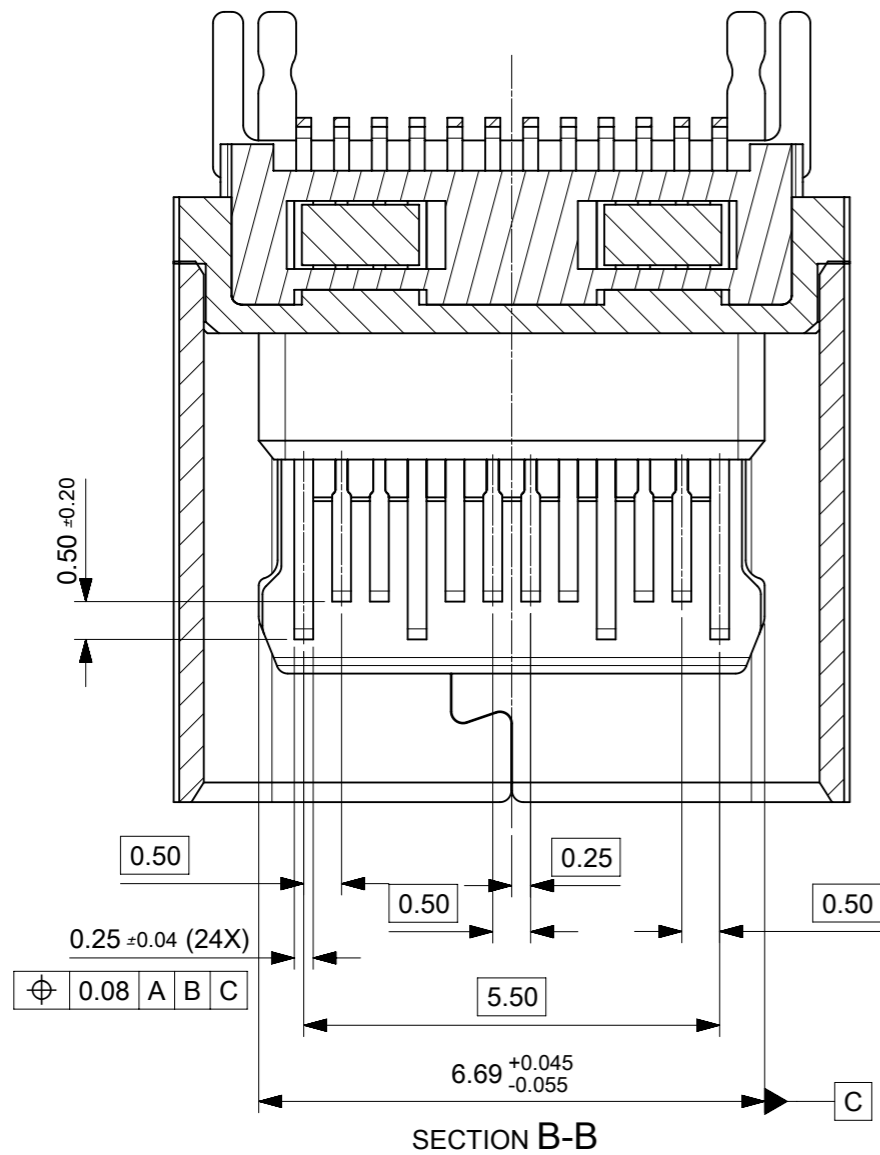


PART NO.	L
2047110001	1.4
2047110101	2.5

THIS DRAWING CONTAINS INFORMATION THAT IS PROPRIETARY TO MOLEX ELECTRONIC TECHNOLOGIES, LLC AND SHOULD NOT BE USED WITHOUT WRITTEN PERMISSION									
DIMENSION UNITS	SCALE	CURRENT REV DESC:							
mm	7:1								
GENERAL TOLERANCES (UNLESS SPECIFIED)		EC NO: 619078			VERTICAL USB TYPE C				
ANGULAR TOL ± 3.0°		DRWN: RZHANG 2019/06/10							
4 PLACES ±		CHK'D: AYIN 2019/06/18			PRODUCT CUSTOMER DRAWING				
3 PLACES ±		APPR: AYIN 2019/06/18							
2 PLACES ± 0.2		INITIAL REVISION:			DOCUMENT NUMBER: 2047110001 DOC TYPE: PSD DOC PART: 000 REVISION: A3				
1 PLACE ± 0.2		DRWN: RZHANG 2017/04/20							
0 PLACES ±		APPR: AYIN 2017/12/05			MATERIAL NUMBER: SEE CHART CUSTOMER: SHEET NUMBER: 1 OF 3				
DRAFT WHERE APPLICABLE MUST REMAIN WITHIN DIMENSIONS		THIRD ANGLE PROJECTION	DRAWING	SERIES					
			A3-SIZE	204711					



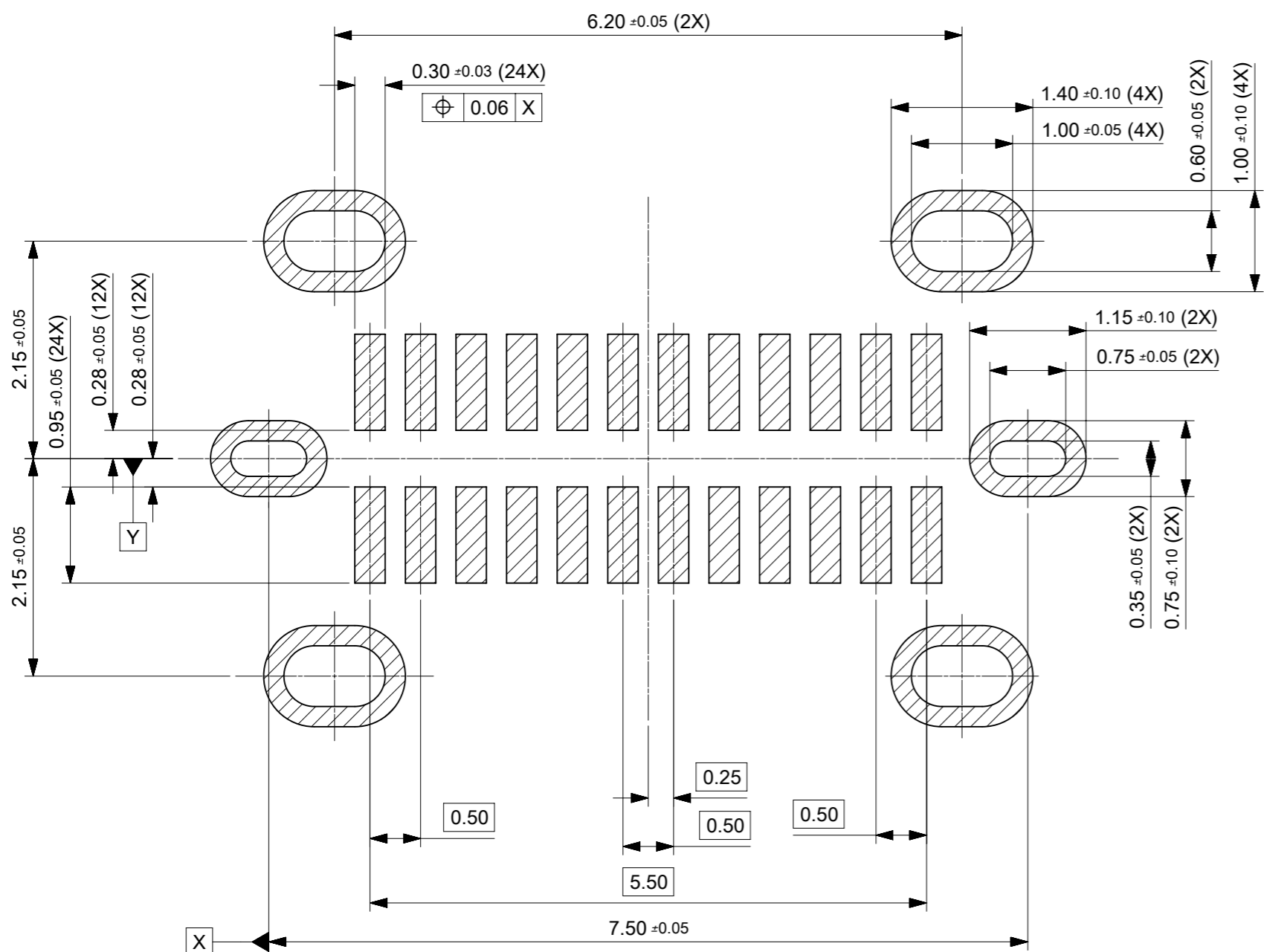
SECTION A-A



SECTION B-B

PIN ASSIGNMENT											
A1	A2	A3	A4	A5	A6	A7	A8	A9	A10	A11	A12
GND	TX1+	TX1-	Vbus	CC1	D+	D-	SBU1	Vbus	RX2-	RX2+	GND
GND	RX1+	RX1-	Vbus	SBU2	D-	D+	CC2	Vbus	TX2-	TX2+	GND
B12	B11	B10	B9	B8	B7	B6	B5	B4	B3	B2	B1

THIS DRAWING CONTAINS INFORMATION THAT IS PROPRIETARY TO MOLEX ELECTRONIC TECHNOLOGIES, LLC AND SHOULD NOT BE USED WITHOUT WRITTEN PERMISSION														
DIMENSION UNITS	SCALE	CURRENT REV DESC:									molex			
mm	10:1													
GENERAL TOLERANCES (UNLESS SPECIFIED)														
ANGULAR TOL	± 3.0°	EC NO: 619078									VERTICAL USB TYPE C			
4 PLACES	±	DRWN: RZHANG 2019/06/10												
3 PLACES	±	CHK'D: AYIN 2019/06/18												
2 PLACES	± 0.2	APPR: AYIN 2019/06/18												
1 PLACE	± 0.2	INITIAL REVISION:									PRODUCT CUSTOMER DRAWING			
0 PLACES	±	DRWN: RZHANG 2017/04/20												
DRAFT WHERE APPLICABLE MUST REMAIN WITHIN DIMENSIONS		THIRD ANGLE PROJECTION	DRAWING	SERIES	MATERIAL NUMBER	CUSTOMER	SHEET NUMBER	DOCUMENT NUMBER				DOC TYPE	DOC PART	REVISION
			A3-SIZE	204711	SEE CHART		2 OF 3	2047110001				PSD	000	A3



RECOMMENDED PCB LAYOUT

NOTES:

1. MATERIAL,
HOUSING: HIGH TEMPERATURE THERMAL PLASTIC ,
30% GLASS FILLED, BLACK, UL94V-0.
TERMINAL: COPPER ALLOY
SHELL: STAINLESS STEEL
MIDDLE BLADE: STAINLESS STEEL
2. PLATING:
TERMINAL: CONTACT AREA: 0.76 MICROMETER MIN. GOLD PLATING
SOLDER TAIL: 0.05 MICROMETER MIN. GOLD PLATING
UNDER PLATING: 2.0 MICROMETER MIN. NICKEL PLATING OVERALL
SHELL: 1.25 MICRON MIN. SOLDERABLE NICKEL PLATING OVERALL
MIDDLE BLADE: 1.25 MICRON MIN. SOLDERABLE NICKEL PLATING OVERALL
3. PRODUCT SPEC REFER TO PS-105448-001
4. PACKAGE SPEC REFER TO 2047118888
5. COPLANARITY OF SMT PINS SOLDER TAIL IS 0.08 MAX. BEFORE REFLOW
AND 0.10 MAX. AFTER REFLOW
6. T/H SOLDER TAIL POSITION BE CONTROLLED BY GAUGE
7. PRODUCT COMPLANT TO ROHS DIERTIVE 2011/65/EU
AND ELV DIRECTIVE 2000/53/EC

THIS DRAWING CONTAINS INFORMATION THAT IS PROPRIETARY TO MOLEX ELECTRONIC TECHNOLOGIES, LLC AND SHOULD NOT BE USED WITHOUT WRITTEN PERMISSION									
DIMENSION UNITS mm		SCALE 15:1		CURRENT REV DESC:				molex	
GENERAL TOLERANCES (UNLESS SPECIFIED)		ANGULAR TOL ± 3.0°		EC NO: 619078					
4 PLACES ±		3 PLACES ±		DRWN: RZHANG 2019/06/10		VERTICAL USB TYPE C			
2 PLACES ± 0.2		1 PLACE ± 0.2		CHK'D: AYIN 2019/06/18		PRODUCT CUSTOMER DRAWING			
0 PLACES ±		DRAFT WHERE APPLICABLE MUST REMAIN WITHIN DIMENSIONS		APPR: AYIN 2019/06/18		DOCUMENT NUMBER 2047110001		DOC TYPE DOC PART REVISION PSD 000 A3	
THIRD ANGLE PROJECTION		DRAWING A3-SIZE		SERIES 204711		MATERIAL NUMBER SEE CHART		CUSTOMER SHEET NUMBER 3 OF 3	