

- NOTES:
1. MATERIALS: HOUSING - LIQUID CRYSTAL POLYMER (LCP)
GLASS-FILLED, UL94V-0
TERMINALS - HIGH PERFORMANCE COPPER ALLOY
 2. FINISH: 30μ IN MIN. GOLD IN CONTACT AREA, SELECTIVE MATTE TIN ON PCB TAILS, NICKEL OVERALL.
 3. REFER TO MOLEX PRODUCT SPECIFICATION PS-170540-999 FOR PERFORMANCE SPECIFICATIONS AND ADDITIONAL PCB INFORMATION.
 4. THIS PART CONFORMS TO CLASS B REQUIREMENTS OF MOLEX COSMETIC SPEC PS-45499-002.
 5. PARTS PACKAGED PER PK-70873-760.
 6. SEE SHEETS 2 & 3 FOR PART NUMBERS AND BOARD RELATIONSHIPS.
 7. FOR GROUNDED GUIDE PINS USE DIA. 3.56 ± 0.08 (PTH)
DIA. 3.66 (DRILL) AND DIA 6.5 (PAD).
 8. MINIMUM CIRCUIT BOARD THICKNESS: 1.0mm
 9. KEEP OUT ZONE FOR BP HOUSING LENGTH INCLUDES AN ADDITIONAL 1.0mm TO ACCOMMODATE FOR SPACE REQUIRED BY DC FRONT HOUSING.
 10. REFER TO MOLEX PCB ROUTING GUIDE AS-76060-990 FOR ANTIPAD AND ROUTING RECOMMENDATIONS.
 11. CONNECTORS SUPPLIED WITH A 2-56 UNC-2A SCREW.
 12. "THESE DIMENSIONS REPRESENT THE AREA NEEDED TO ACCOMMODATE CONNECTOR INSERTION AND REPAIR ON THE PC BOARD. THIS IS REFERRED TO AS THE "CONNECTOR KEEP OUT ZONE" AND DOES NOT REPRESENT THE ACTUAL PERIMETER OF THE CONNECTOR. WHEN LAYING OUT A PC BOARD FOR CONNECTORS STACKED TOGETHER, USE A 1.9mm PROGRESSION."

THIS DRAWING CONTAINS INFORMATION THAT IS PROPRIETARY TO MOLEX ELECTRONIC TECHNOLOGIES, LLC AND SHOULD NOT BE USED WITHOUT WRITTEN PERMISSION

MIGRATED TO NX EC NO: 168852 DRWN: ABABU01 CHKD: CD REV APPR: GGA	2017/10/13	GENERAL TOLERANCES (UNLESS SPECIFIED)	DIMENSION UNITS	SCALE			
	2017/11/30	ANGULAR TOL ± 2.0 °	MM	5:1			
	2017/12/01	4 PLACES ±	DRWN BY	DATE	IMPACT 6-PAIR 85-OHM RIGHT GUIDED BACKPLANE SALES ASSEMBLY DRAWING		
		3 PLACES ±	JBINGHAM	2010/09/24			
		2 PLACES ± 0.13	CHKD BY	DATE	PRODUCT CUSTOMER DRAWING		
	1 PLACE ± 0.25	JBINGHAM	2010/09/24				
	0 PLACES ±	APPR BY	DATE	SERIES MATERIAL NUMBER CUSTOMER 170535 SEE CHART GENERAL MARKET			
	DRAFT WHERE APPLICABLE MUST REMAIN WITHIN DIMENSIONS	JLAURX	2013/02/07				
		DRAWING SIZE	THIRD ANGLE PROJECTION	DOCUMENT NUMBER DOC TYPE DOC PART SHEET NUMBER SD-170535-0003 PSD 001 1 OF 3			
		D					

PART NUMBER LOGIC

170535-****

MODULE TYPE
 5 = GUIDE RIGHT, MATTE TIN
 9 = GUIDE RIGHT END WALL, MATTE TIN

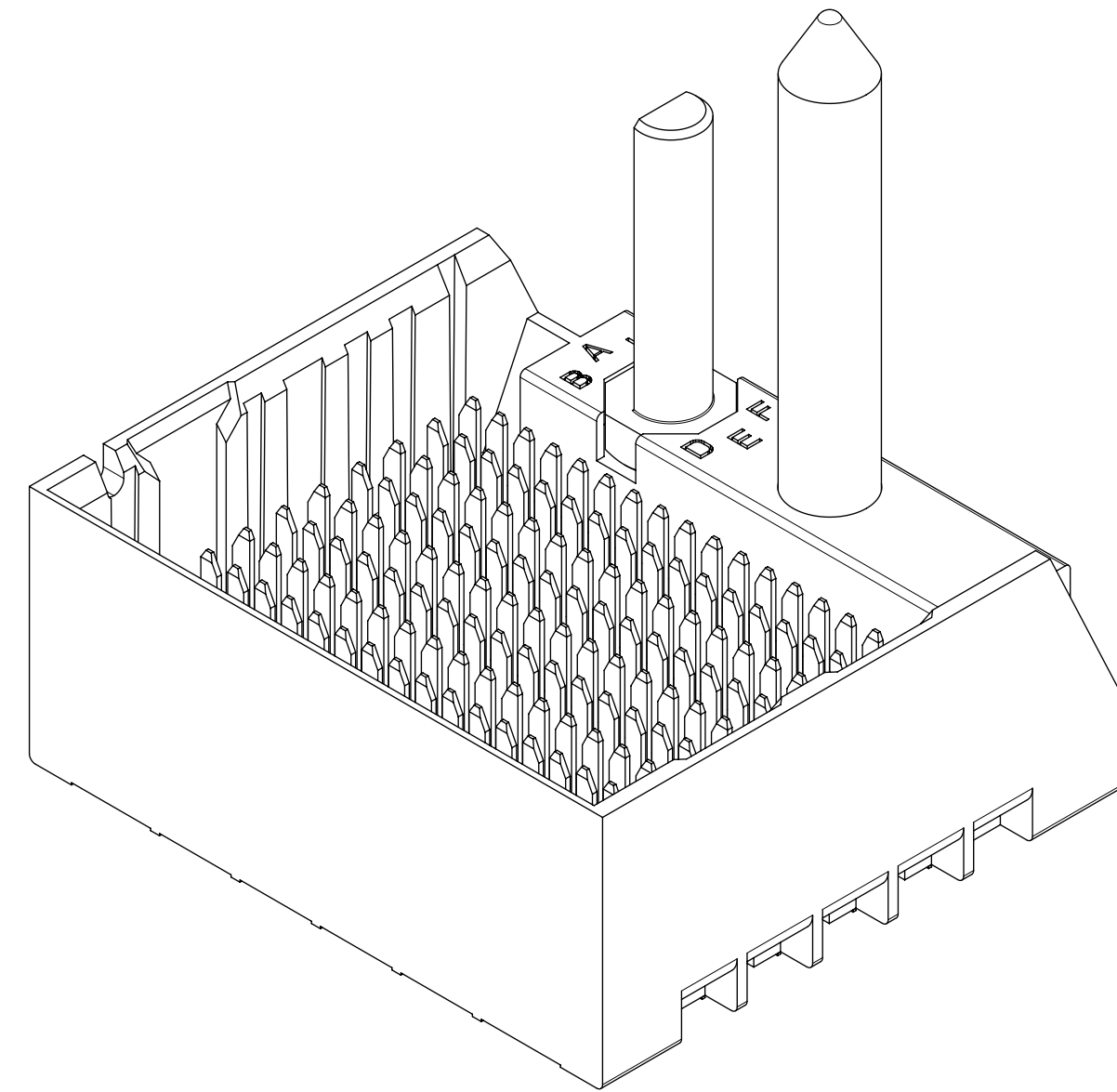
OF COLUMNS
 8 = 8 COLUMN
 1 = 10 COLUMN
 4 = 14 COLUMN
 6 = 16 COLUMN

PIN LENGTH (P)
 3 = 4.50 (SHORT COMPLIANT, 0.46±0.05 PTH)
 4 = 4.90 (SHORT COMPLIANT, 0.46±0.05 PTH)
 5 = 5.50 (SHORT COMPLIANT, 0.46±0.05 PTH)
 6 = 4.50 (MICRO COMPLIANT, 0.39±0.05 PTH)
 7 = 4.90 (MICRO COMPLIANT, 0.39±0.05 PTH)
 8 = 5.50 (MICRO COMPLIANT, 0.39±0.05 PTH)

KEY ORIENTATION
 0 = NO KEY
 1 = A
 2 = B
 3 = C
 4 = D
 5 = E
 6 = F
 7 = G
 8 = H

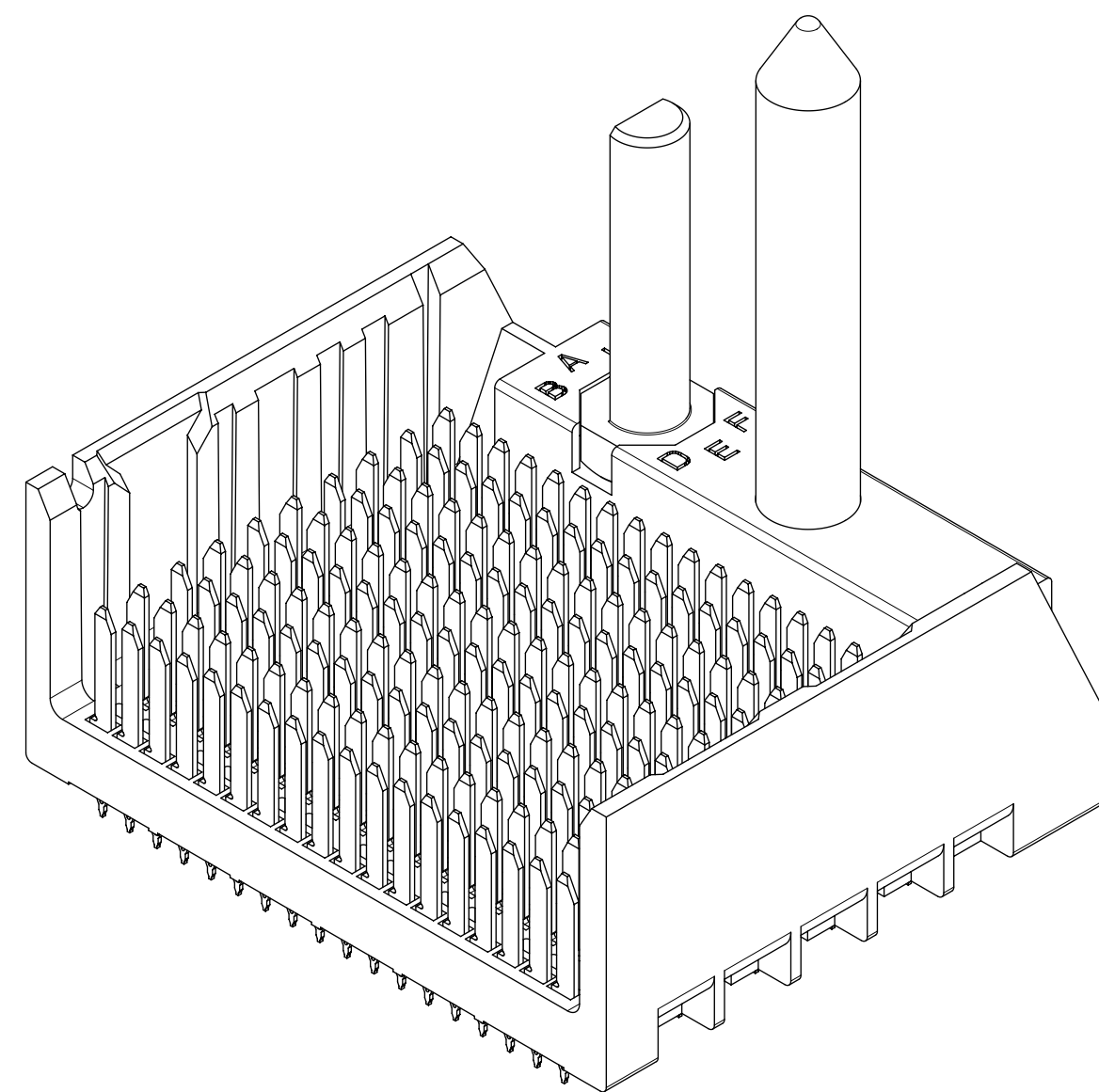
PART NUMBER CHART

MATERIAL NUMBER	# OF COLUMNS	# OF DIFF. PAIR	DIM. A	DIM. B	GUIDE RIGHT END WALL OPTION
170535-98**	8	48	23.1	13.30	
170535-91**	10	60	26.9	17.10	
170535-94**	14	84	34.5	24.70	
170535-96**	16	96	38.3	28.50	



GUIDE RIGHT
END WALL
OPTION

MATERIAL NUMBER	# OF COLUMNS	# OF DIFF. PAIR	DIM. A	DIM. B	GUIDE RIGHT OPEN WALL OPTION
170535-58**	8	48	21.7	13.30	
170535-51**	10	60	25.5	17.10	
170535-54**	14	84	33.1	24.70	
170535-56**	16	96	36.9	28.50	

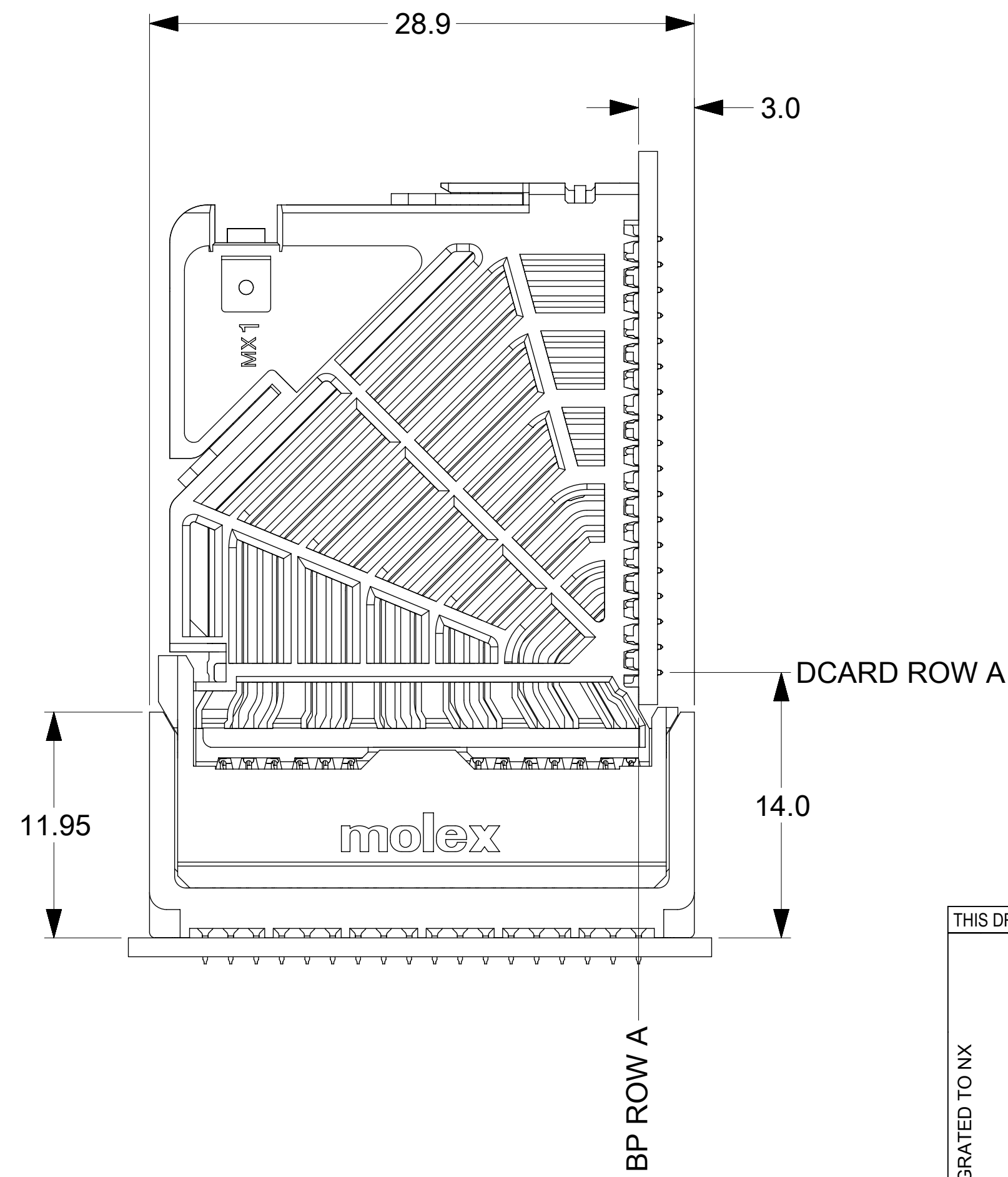
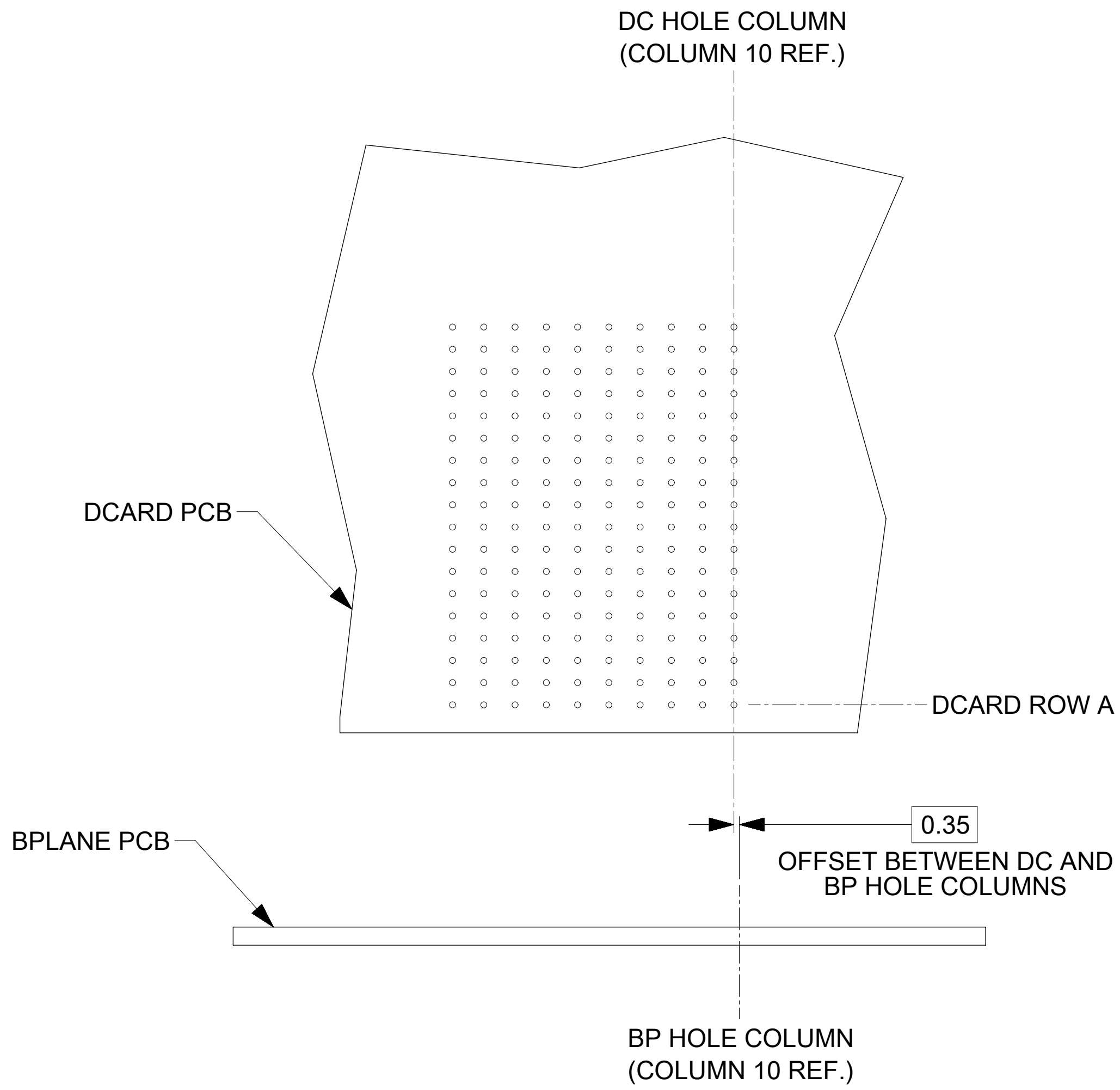
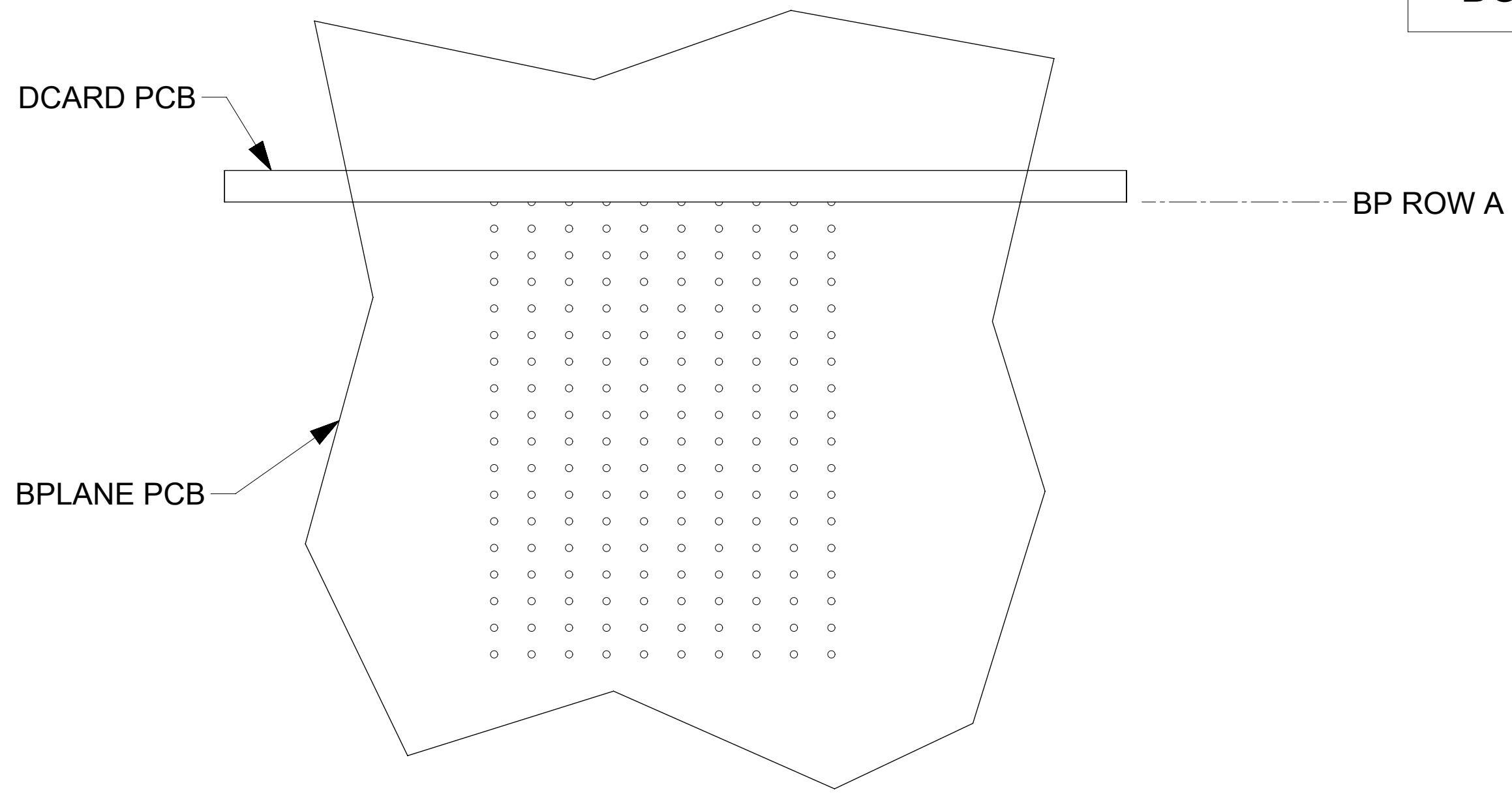


GUIDE RIGHT
OPEN WALL
OPTION

THIS DRAWING CONTAINS INFORMATION THAT IS PROPRIETARY TO MOLEX ELECTRONIC TECHNOLOGIES, LLC AND SHOULD NOT BE USED WITHOUT WRITTEN PERMISSION

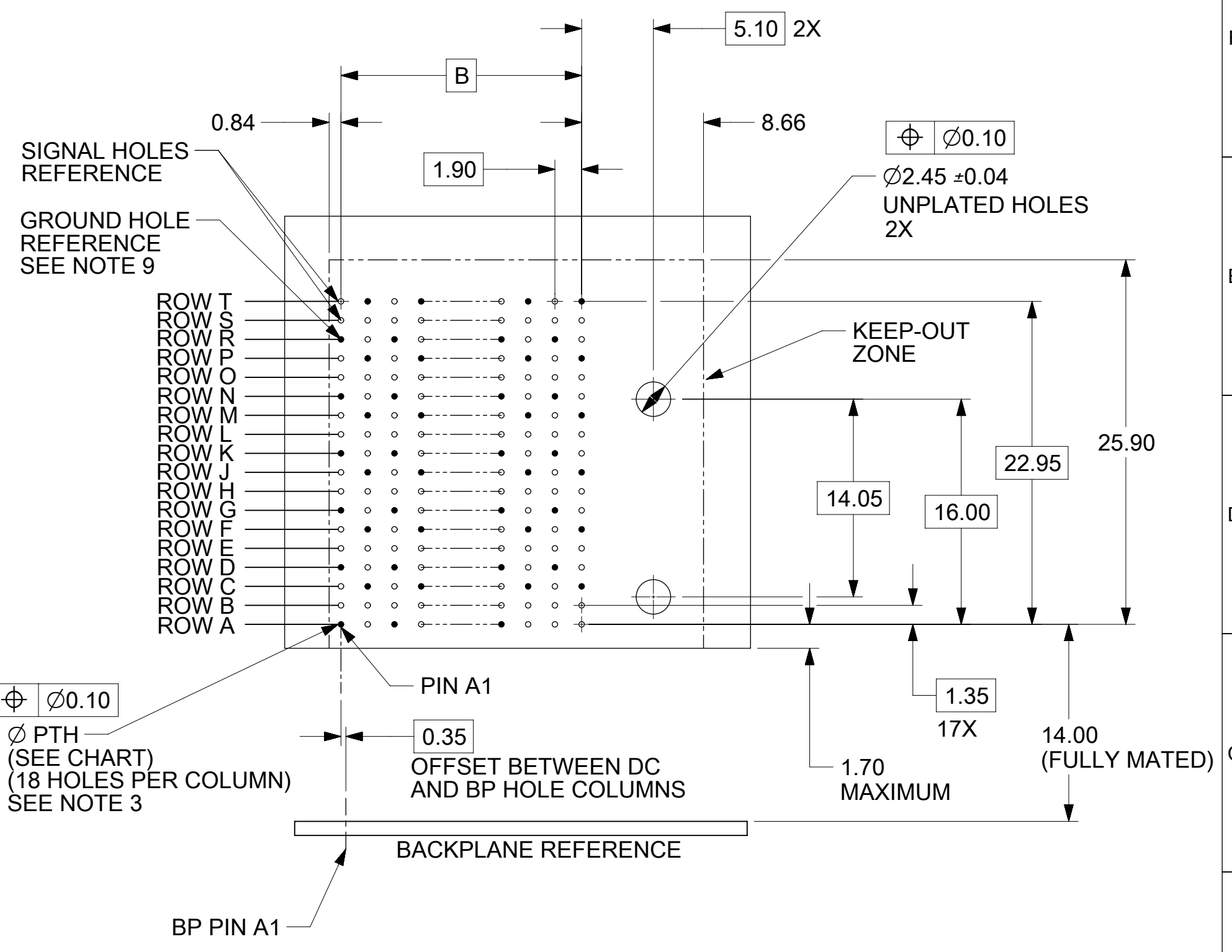
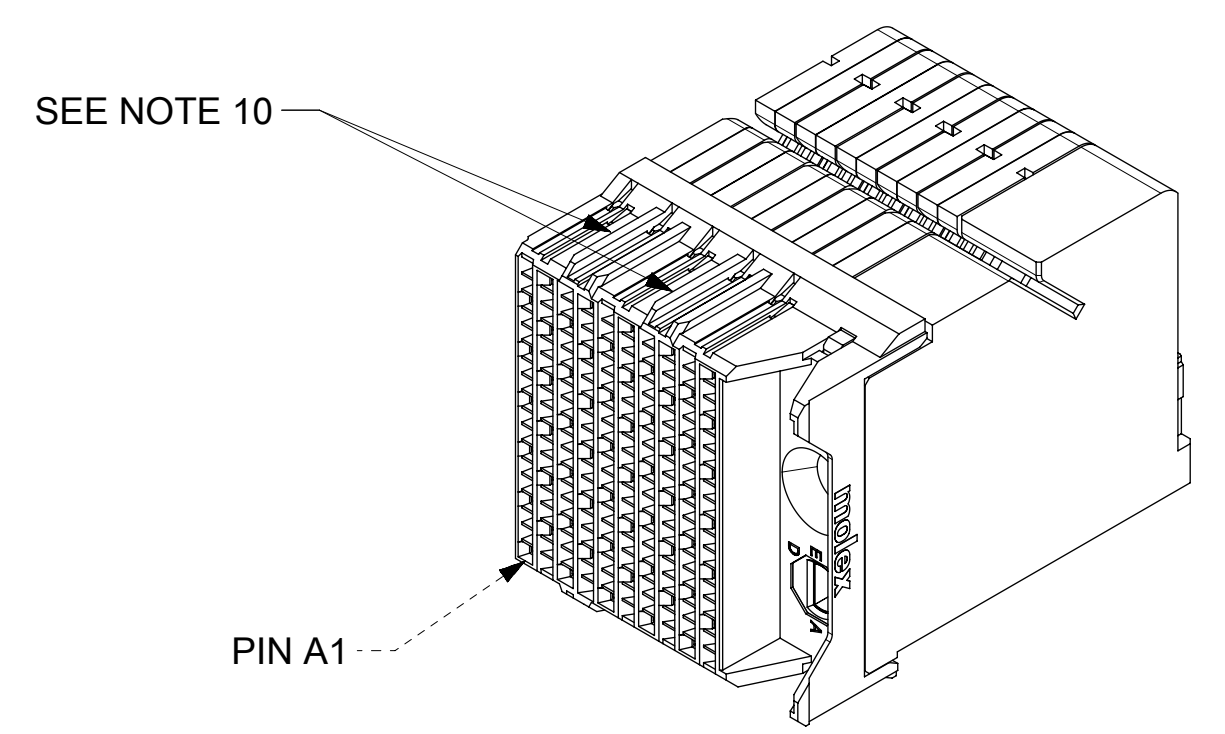
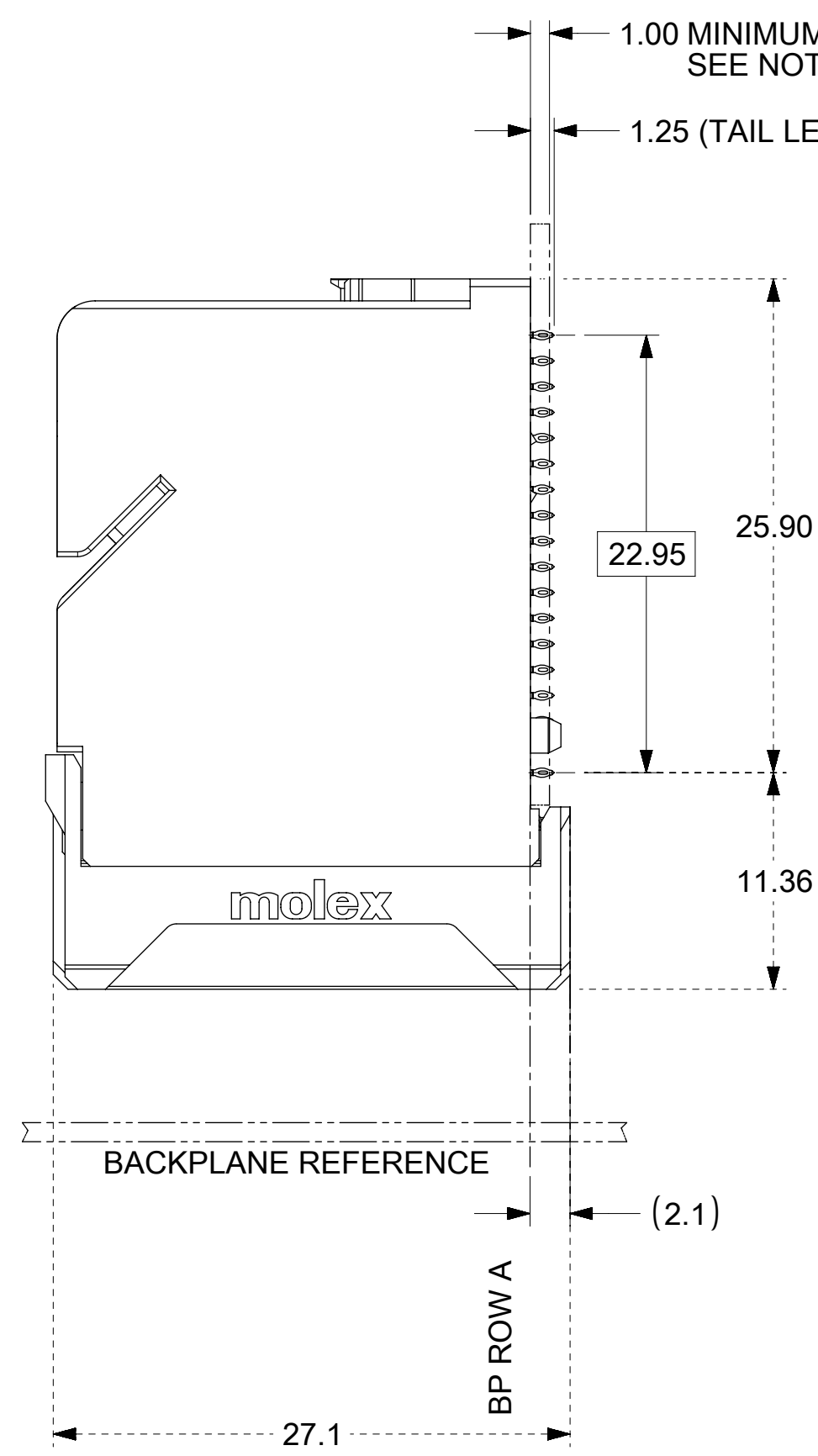
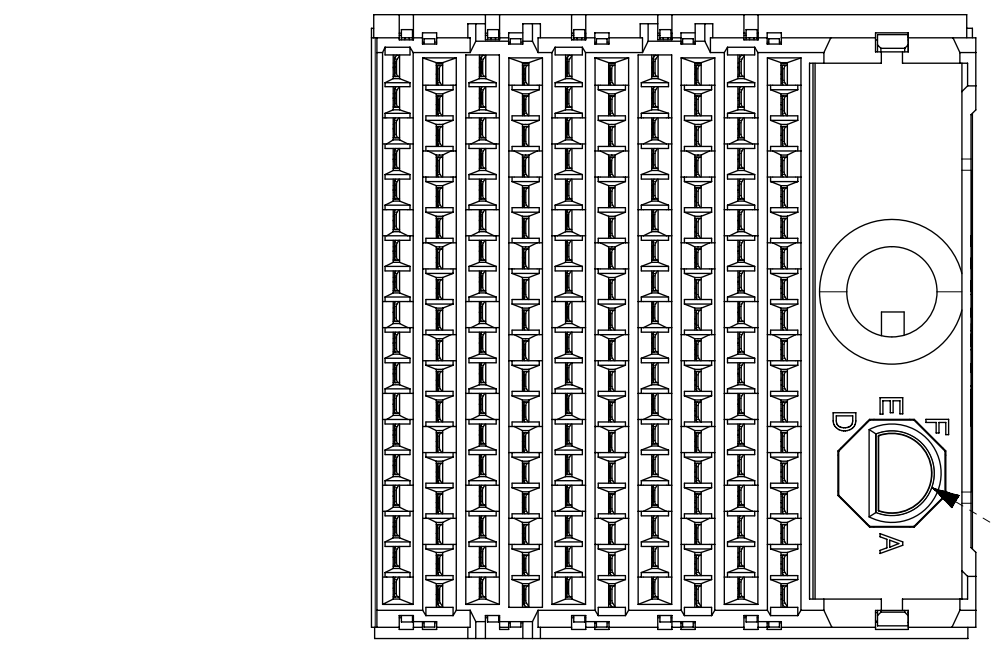
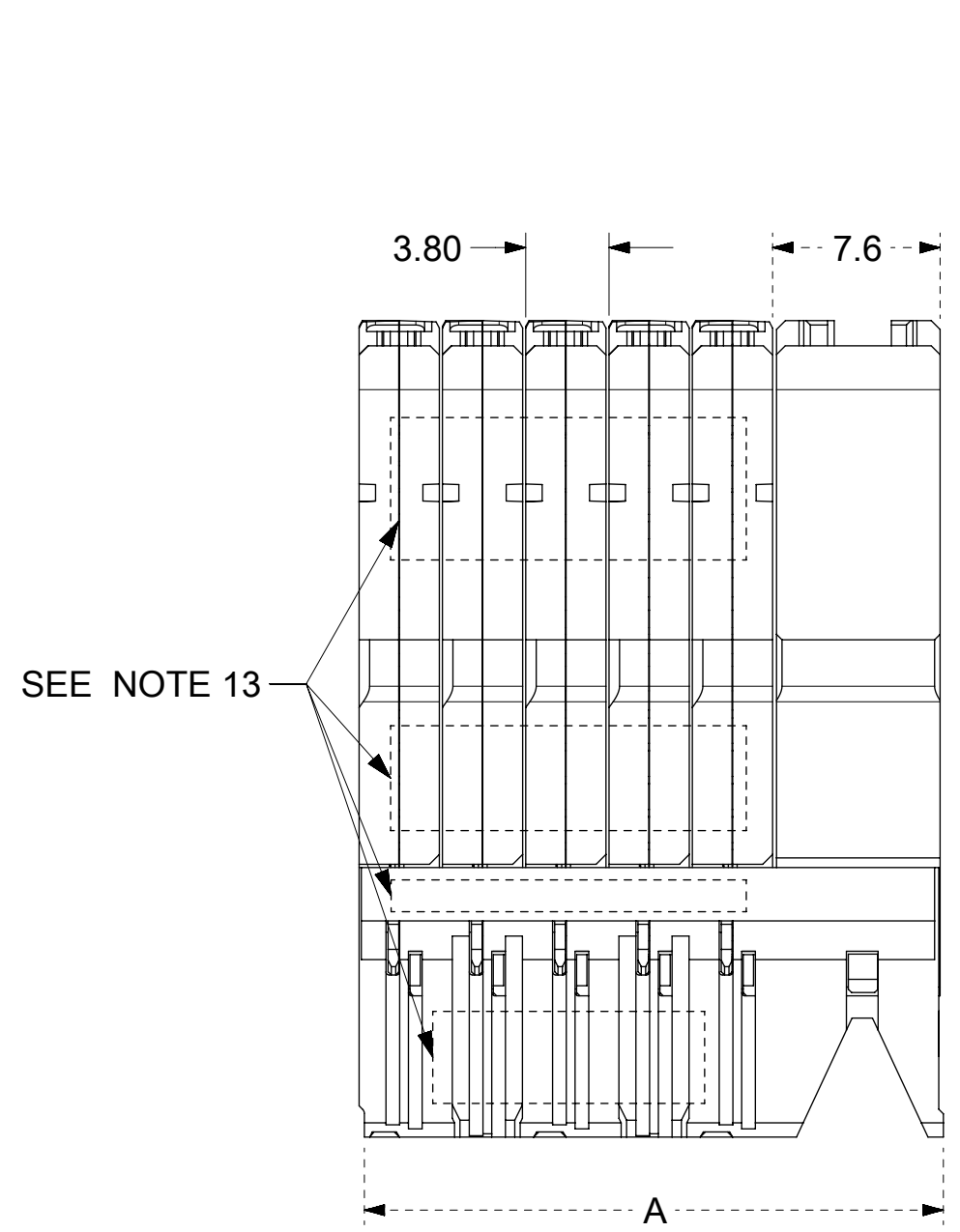
MIGRATED TO NX	2017/10/13	GENERAL TOLERANCES (UNLESS SPECIFIED)	DIMENSION UNITS	SCALE	molex IMPACT 6-PAIR 85-OHM RIGHT GUIDED BACKPLANE SALES ASSEMBLY DRAWING
	2017/11/30	ANGULAR TOL ± 2.0 °	MM	4:1	
	2017/12/01	4 PLACES ±	DRWN BY	DATE	
		3 PLACES ±	JBINGHAM	2010/09/24	
		2 PLACES ± 0.13	CHKD BY	DATE	
	1 PLACE ± 0.25	JBINGHAM	2010/09/24		
	0 PLACES ±	APPR BY	DATE		
	DRAFT WHERE APPLICABLE MUST REMAIN WITHIN DIMENSIONS	JLAURX	2013/02/07		
		DRAWING SIZE	THIRD ANGLE PROJECTION		PRODUCT CUSTOMER DRAWING
		D			SERIES MATERIAL NUMBER CUSTOMER
					170535 SEE CHART GENERAL MARKET
					DOCUMENT NUMBER DOC TYPE DOC PART SHEET NUMBER
					SD-170535-0003 PSD 001 2 OF 3

IMPACT 6 PAIR
BOARD RELATIONSHIPS



THIS DRAWING CONTAINS INFORMATION THAT IS PROPRIETARY TO MOLEX ELECTRONIC TECHNOLOGIES, LLC AND SHOULD NOT BE USED WITHOUT WRITTEN PERMISSION

MIGRATED TO NX EC NO: 168852 DRWN: ABABU01 CHKD: CD REV APPR: GGA	2017/10/13	GENERAL TOLERANCES (UNLESS SPECIFIED)	DIMENSION UNITS	SCALE	<p>IMPACT 6-PAIR 85-OHM RIGHT GUIDED BACKPLANE SALES ASSEMBLY DRAWING</p> <p>PRODUCT CUSTOMER DRAWING</p>	
	2017/11/30	ANGULAR TOL ± 2.0 °	MM	4:1		
	2017/12/01	4 PLACES ±	DRWN BY	DATE		
		3 PLACES ±	JBINGHAM	2010/09/24		
		2 PLACES ± 0.13	CHKD BY	DATE		
	1 PLACE ± 0.25	JBINGHAM	2010/09/24	APPR BY	DATE	
	0 PLACES ±	JLAURX	2013/02/07	DRAWING SIZE	THIRD ANGLE PROJECTION	
	DRAFT WHERE APPLICABLE MUST REMAIN WITHIN DIMENSIONS	D		SERIES	MATERIAL NUMBER	CUSTOMER
				170535	SEE CHART	GENERAL MARKET
				DOCUMENT NUMBER	DOC TYPE	DOC PART SHEET NUMBER
				SD-170535-0003	PSD	001 3 OF 3



- NOTES:
1. MATERIALS: HOUSING - LCP (LIQUID CRYSTAL POLYMER); GLASS FILLED, UL94-V0. TERMINALS - HIGH PERFORMANCE COPPER ALLOY.
 2. FINISH: 30 MICRONS MINIMUM GOLD IN CONTACT AREA; SELECTIVE MATTE TIN ON PCB TAILS; NICKEL UNDERPLATE OVERALL.
 3. REFER TO MOLEX PRODUCT SPECIFICATION PS-170540-999 FOR PERFORMANCE SPECIFICATIONS AND ADDITIONAL PCB INFORMATION.
 4. EACH SIGNAL WAFER CONTAINS 2 COLUMNS OF TERMINALS.
 5. PRODUCT IS PACKAGED PER PK-70873-589.
 6. THIS PART CONFORMS TO CLASS B REQUIREMENTS OF COSMETIC SPEC PS-45499-002.
 7. REFER TO MOLEX SALES DRAWINGS SD-170535-0003 AND RSD-170532-XXXX FOR THE MATED HEADER.
 8. REFER TO MOLEX PCB ROUTING GUIDE AS-76060-990 FOR ANTIPAD AND ROUTING RECOMMENDATIONS.
 9. GROUND PATHS ARE NOT DISCRETE CIRCUITS WITHIN CONNECTOR DUE TO PRESENCE OF PLUS CLIP.
 10. PART NUMBER 170540-5720 SHOWN ON DRAWING. KEYING FEATURES WILL CHANGE WITH COLUMN SIZE.
 11. MINIMUM BOARD THICKNESS IS 1.00mm FOR COMPLIANT PIN FUNCTIONALITY.
 12. WHEN USING MOLEX SUPPLIED #2-32 SCREW 73726-0000 (9.50 NOMINAL THREADABLE SCREW LENGTH). THE MAXIMUM BOARD THICKNESS IS 4.4mm.
 13. MARKING: LOCATED APPROXIMATELY AS SHOWN, PART NUMBER AND DATE CODE.

DAUGHTERCARD HOLE PATTERN (CONNECTOR SIDE)

SYMBOLS		THIS DRAWING CONTAINS INFORMATION THAT IS PROPRIETARY TO MOLEX ELECTRONIC TECHNOLOGIES, LLC AND SHOULD NOT BE USED WITHOUT WRITTEN PERMISSION		CURRENT REV DESC: ADD 14 COLUMN		
▽ = 0	mm	SCALE	3:1			
▽ = 0	GENERAL TOLERANCES (UNLESS SPECIFIED)		EC NO: 603057 DRWN: DMORGAN 2018/04/06 CHK'D: TELO 2018/08/28 APPR: TELO 2018/08/28			
▽ = 0	ANGULAR TOL ± 0.5°		IMPACT 6 PAIR PLUS 85OHM DAUGHTERCARD SIGNAL GUIDE RIGHT SALES DWG			
▽ = 0	4 PLACES ±		PRODUCT CUSTOMER DRAWING			
▽ = 0	3 PLACES ±		INITIAL REVISION: DRWN: KBENES 2012/08/20 APPR: TELO 2012/08/23			
▽ = 0	2 PLACES ± 0.13		DOCUMENT NUMBER: SD-170540-0004 DOC TYPE: PSD DOC PART: 001 REVISION: C			
▽ = 0	1 PLACE ± 0.25		MATERIAL NUMBER: SEE TABLE CUSTOMER: GENERAL MARKET			
▽ = 0	0 PLACES ±		SHEET NUMBER: 1 OF 2			
⊠ = 0	DRAFT WHERE APPLICABLE MUST REMAIN WITHIN DIMENSIONS		THIRD ANGLE PROJECTION DRAWING: C-SIZE SERIES: 170540			

MATERIAL NUMBER	NUMBER OF COLUMNS	NUMBER OF DIFF PAIR	DIMENSION A MAXIMUM	DIMENSION B	PTH Ø
170540-5*08	8	48	22.80	13.30	0.46±0.05
170540-5*10	10	60	26.60	17.10	
170540-5*14	14	84	34.20	24.70	
170540-5*16	16	96	38.00	28.50	
170540-5*38	8	48	22.80	13.30	0.39±0.05
170540-5*20	10	60	26.60	17.10	
170540-5*24	14	84	34.20	24.70	
170540-5*26	16	96	38.00	28.50	

170540-5 * * *

MODULE & TAIL PLATING TYPE
5 = RIGHT GUIDE, LEAD-FREE

POLARIZATION KEY ORIENTATION

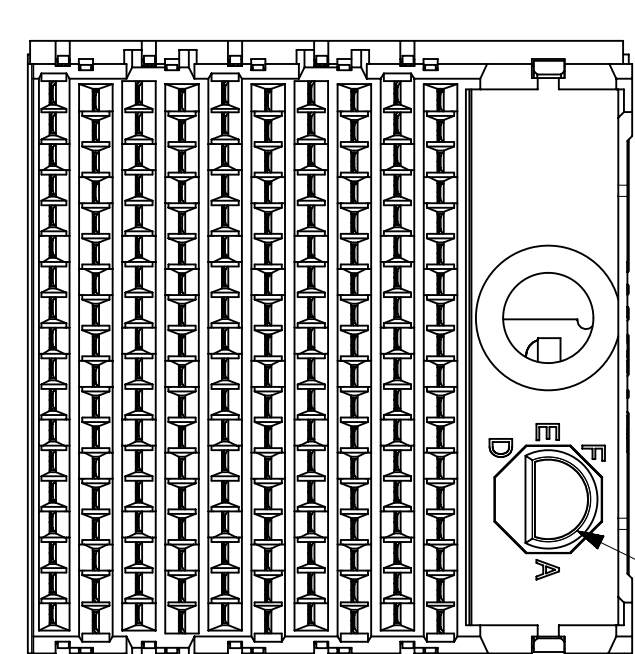
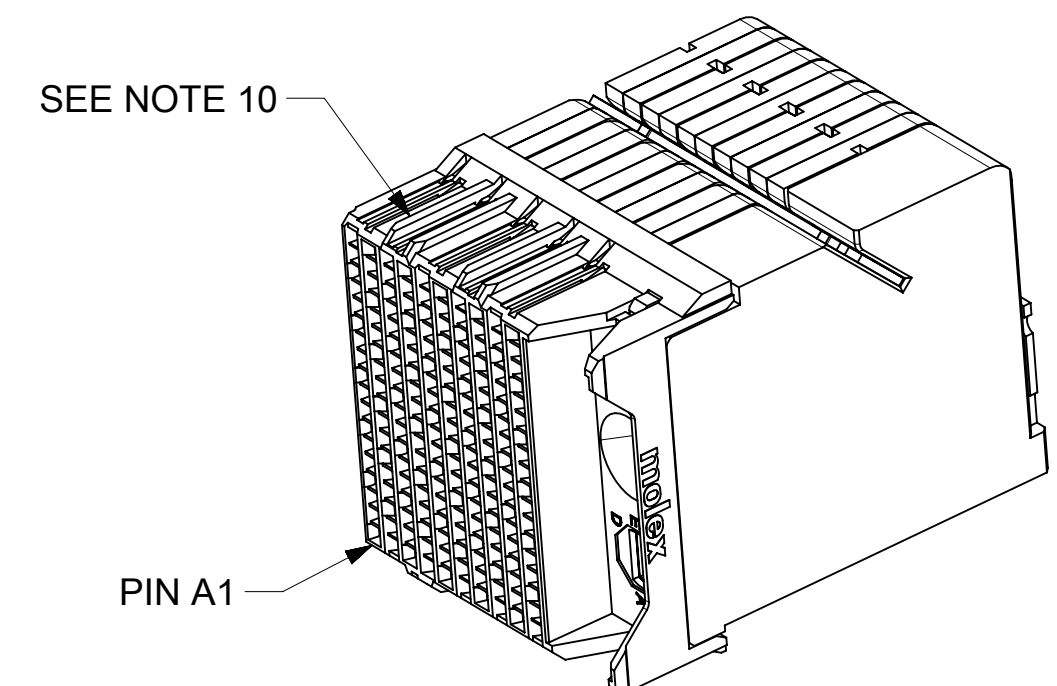
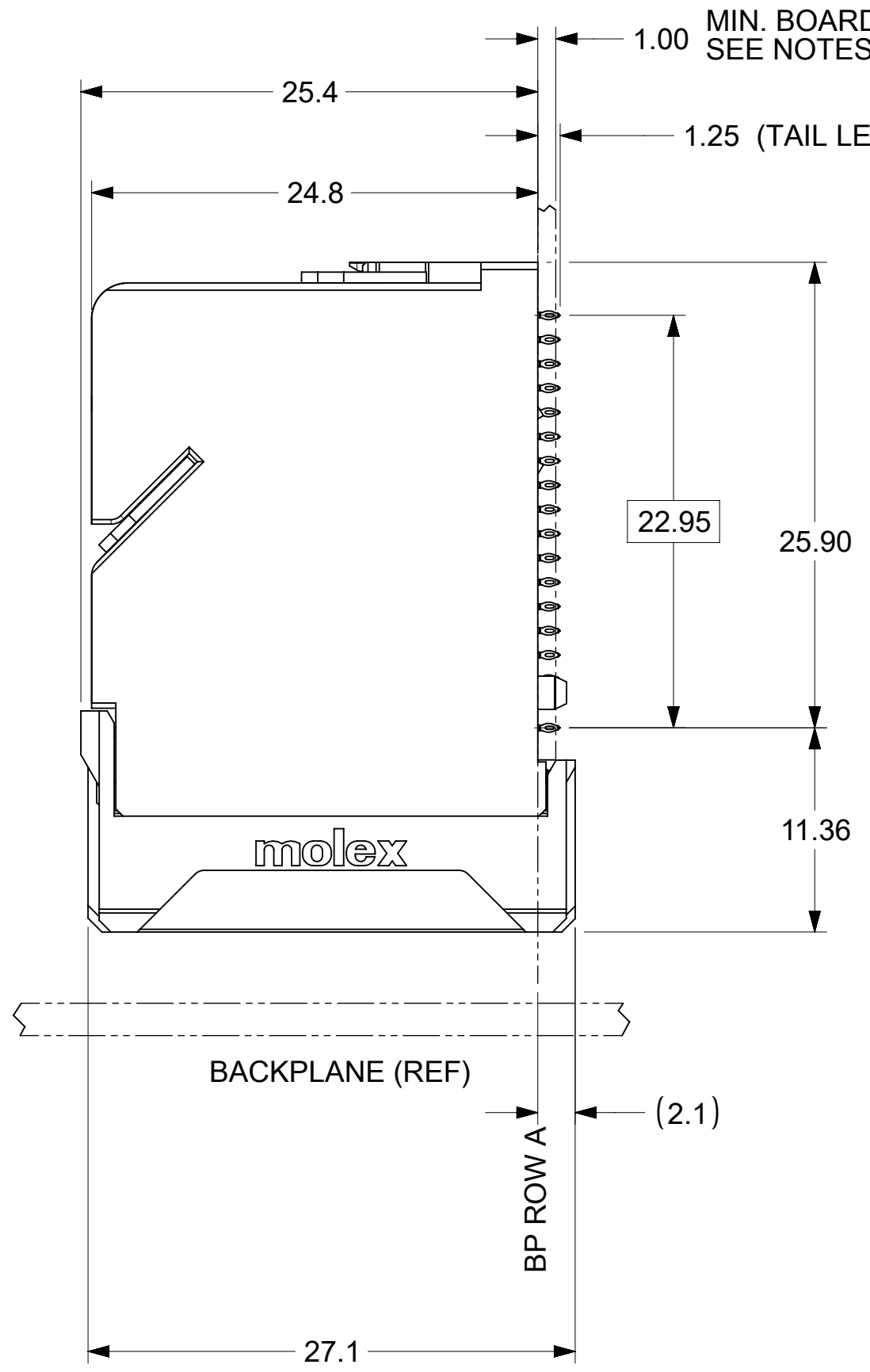
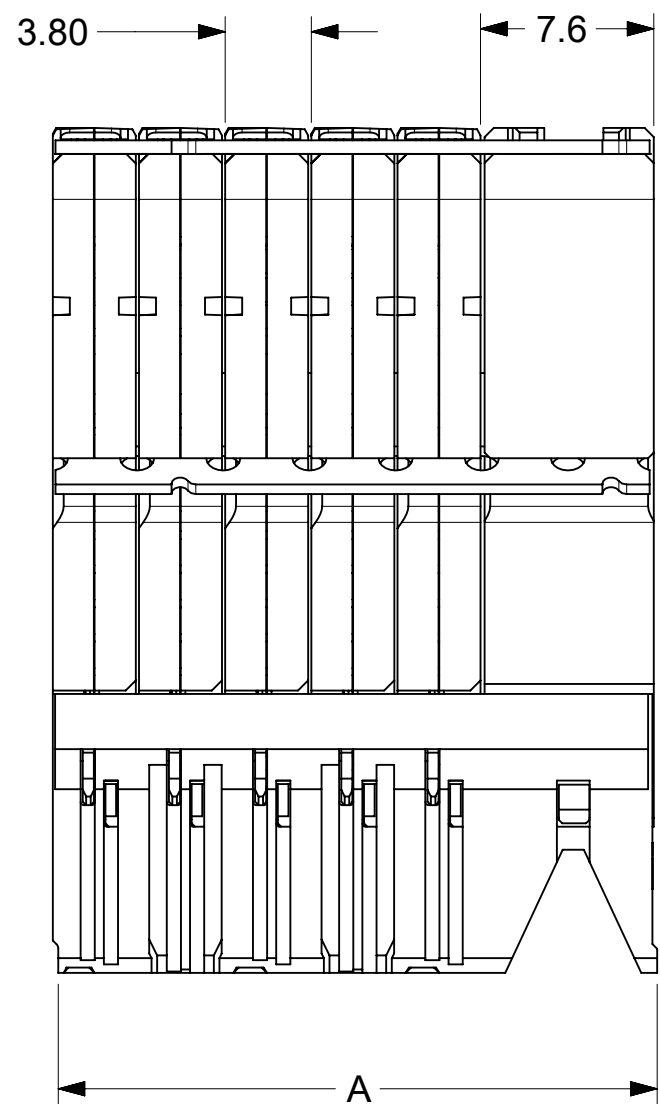
- 0 = NO KEY
- 1 = A
- 2 = B
- 3 = C
- 4 = D
- 5 = E
- 6 = F
- 7 = G
- 8 = H

NUMBER OF COLUMNS

- 08 = 8 COLUMN 0.46 PTH
- 10 = 10 COLUMN 0.46 PTH
- 14 = 14 COLUMN 0.46 PTH
- 16 = 16 COLUMN 0.46 PTH
- 38 = 8 COLUMN 0.39 PTH
- 20 = 10 COLUMN 0.39 PTH
- 24 = 14 COLUMN 0.39 PTH
- 26 = 16 COLUMN 0.39 PTH

THIS DRAWING CONTAINS INFORMATION THAT IS PROPRIETARY TO MOLEX ELECTRONIC TECHNOLOGIES, LLC AND SHOULD NOT BE USED WITHOUT WRITTEN PERMISSION									
SYMBOLS	DIMENSION UNITS	SCALE	CURRENT REV DESC: ADD 14 COLUMN						
▽ = 0	mm	1:1	molex IMPACT 6 PAIR PLUS 85OHM DAUGHTERCARD SIGNAL GUIDE RIGHT SALES DWG PRODUCT CUSTOMER DRAWING						
▽ = 0	GENERAL TOLERANCES (UNLESS SPECIFIED)								
▽ = 0	ANGULAR TOL ± 0.5°								
▽ = 0	4 PLACES ±								
▽ = 0	3 PLACES ±		EC NO: 603057 DRWN: DMORGAN 2018/04/06 CHK'D: TELO 2018/08/28 APPR: TELO 2018/08/28						
▽ = 0	2 PLACES ± 0.13		INITIAL REVISION: DRWN: KBENES 2012/08/20 APPR: TELO 2012/08/23						
▽ = 0	1 PLACE ± 0.25		DOCUMENT NUMBER: SD-170540-0004 DOC TYPE: PSD DOC PART: 001 REVISION: C						
▽ = 0	0 PLACES ±		MATERIAL NUMBER: SEE TABLE CUSTOMER: GENERAL MARKET SHEET NUMBER: 2 OF 2						
▽ = 0	DRAFT WHERE APPLICABLE MUST REMAIN WITHIN DIMENSIONS		THIRD ANGLE PROJECTION		DRAWING	SERIES	C-SIZE 170540		

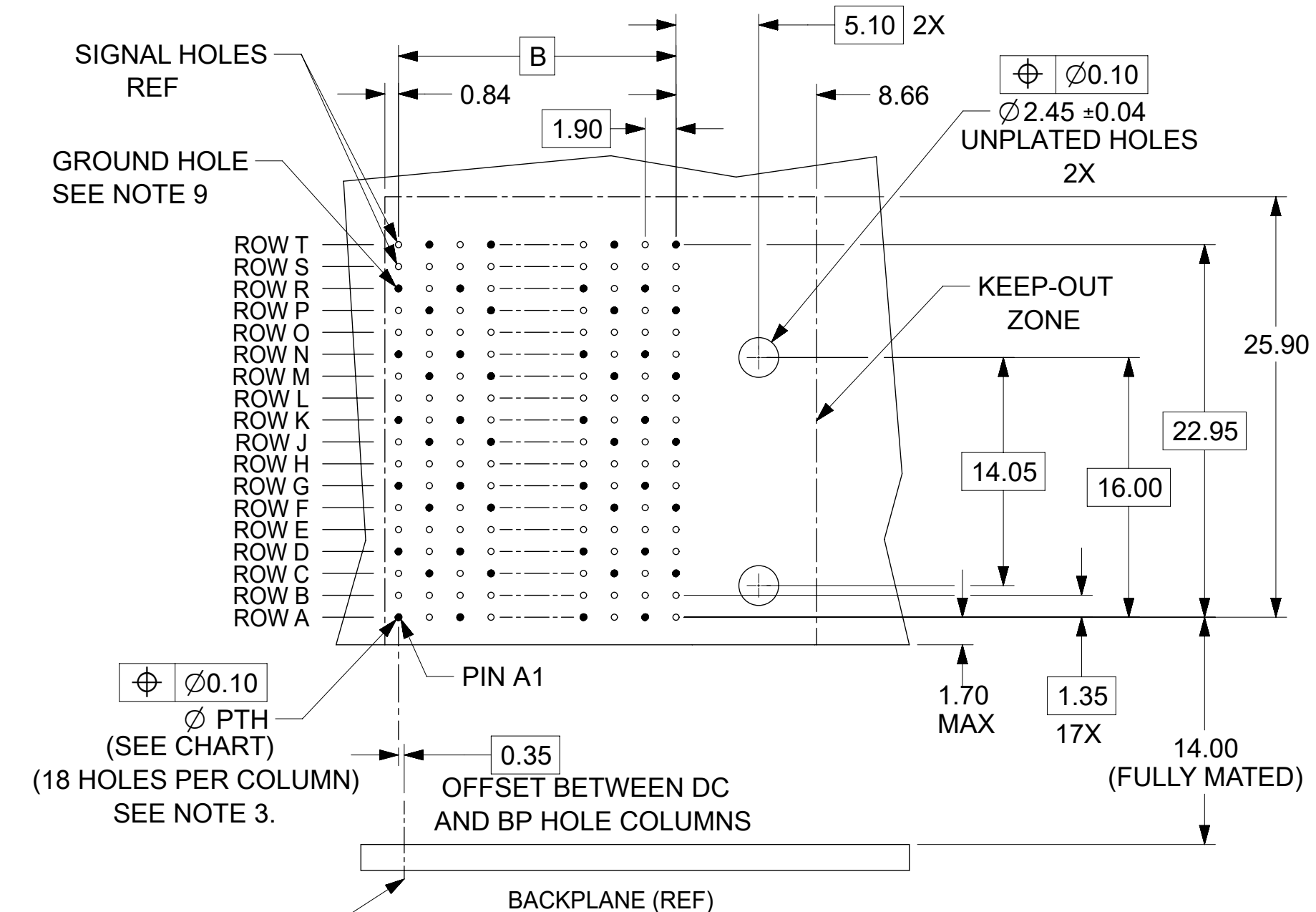
DOCUMENT STATUS	P1	RELEASE DATE	2018/08/28	17:05:05
-----------------	----	--------------	------------	----------



KEY SHOWN IN POSITION "G"

NOTES:

1. MATERIALS: HOUSING - LIQUID CRYSTAL POLYMER (LCP), GLASS-FILLED, UL94V-0
TERMINALS - HIGH PERFORMANCE COPPER ALLOY
2. FINISH: 10µIN MIN GOLD IN CONTACT AREA, SELECTIVE TIN
ON PCB TAILS, NICKEL OVERALL.
3. REFER TO MOLEX PRODUCT SPEC PS-170540-999 FOR PERFORMANCE SPECIFICATIONS
AND ADDITIONAL PCB INFORMATION.
4. EACH SIGNAL WAFER CONTAINS 2 COLUMNS OF TERMINALS.
5. PRODUCT IS PACKAGED PER PK-70873-589.
6. THIS PART CONFORMS TO CLASS B REQUIREMENTS OF COSMETIC SPEC PS-45499-002.
7. REFER TO MOLEX SALES DRAWING SD-170535-0003 AND RSD-170532-XXXX FOR THE
MATING HEADERS.
8. REFER TO MOLEX PCB ROUTING GUIDE AS-76060-990 FOR ANTIPAD AND ROUTING
RECOMMENDATIONS.
9. GROUND PATHS ARE NOT DISCRETE CIRCUITS WITHIN CONNECTOR DUE TO PRESENCE
OF PLUS CLIP.
10. PART NUMBER 170540-5720 SHOWN ON DRAWING. KEYING FEATURES WILL CHANGE
WITH COLUMN SIZE.
11. MINIMUM BOARD THICKNESS IS 1.00 mm FOR COMPLIANT PIN FUNCTIONALITY.
12. WHEN USING MOLEX SUPPLIED #2-32 SCREW 73726-0000 (9.50 NOMINAL
THREADABLE SCREW LENGTH), THE MAXIMUM BOARD THICKNESS IS 4.4 mm.



DAUGHTERCARD HOLE PATTERN (CONNECTOR SIDE)

THIS DRAWING CONTAINS INFORMATION THAT IS PROPRIETARY TO MOLEX ELECTRONIC TECHNOLOGIES, LLC AND SHOULD NOT BE USED WITHOUT WRITTEN PERMISSION									
DIMENSION UNITS		SCALE		CURRENT REV DESC: REMASTERED TO NX					
mm		NTS							
GENERAL TOLERANCES (UNLESS SPECIFIED)				EC NO: 705090 DRWN: YOGEEB 2021/12/13 CHK'D: YOGEEB 2022/02/10 APPR: LZENG 2022/05/13					
ANGULAR TOL ± 0.5°				IMPACT 6 PAIR PLUS 85OHM DC SIGNAL MAPS GUIDE RIGHT SALES DWG					
4 PLACES ±				INITIAL REVISION:				PRODUCT CUSTOMER DRAWING	
3 PLACES ±				DRWN: MKRAUSE 2015/02/09				DOCUMENT NUMBER	
2 PLACES ± 0.13				APPR: TELO 2015/03/02				SD-173120-0004	
1 PLACE ± 0.25				DRAFT WHERE APPLICABLE MUST REMAIN WITHIN DIMENSIONS				DOC TYPE DOC PART REVISION	
0 PLACES ±				THIRD ANGLE PROJECTION				PSD 001 A1	
				DRAWING C-SIZE		SERIES 173120		MATERIAL NUMBER CUSTOMER SHEET NUMBER	
								SEE TABLE GENERAL MARKET 1 OF 2	

MATERIAL NUMBER	# OF COLUMNS	# OF DIFF PAIR	DIM "A" MAX	DIM "B"	PTH \varnothing
173120-5*08	8	48	22.80	13.30	0.46 \pm 0.05
173120-5*10	10	60	26.60	17.10	
173120-5*16	16	96	38.00	28.50	
173120-5*38	8	48	22.80	13.30	0.39 \pm 0.05
173120-5*20	10	60	26.60	17.10	
173120-5*26	16	96	38.00	28.50	

173120-5***

MODULE & TAIL PLATING TYPE
5 = RIGHT GUIDED, LEAD-FREE

POLARIZATION KEY ORIENTATION

0 = NO KEY
1 = A 5 = E
2 = B 6 = F
3 = C 7 = G
4 = D 8 = H

OF COLUMNS
08 = 8 COL 0.46 PTH
10 = 10 COL 0.46 PTH
16 = 16 COL 0.46 PTH
20 = 10 COL 0.39 PTH
26 = 16 COL 0.39 PTH
38 = 08 COL 0.39 PTH

THIS DRAWING CONTAINS INFORMATION THAT IS PROPRIETARY TO MOLEX ELECTRONIC TECHNOLOGIES, LLC AND SHOULD NOT BE USED WITHOUT WRITTEN PERMISSION									
DIMENSION UNITS		SCALE		CURRENT REV DESC: REMASTERED TO NX				molex	
mm		NTS							
GENERAL TOLERANCES (UNLESS SPECIFIED)								IMPACT 6 PAIR PLUS 85OHM DC SIGNAL MAPS GUIDE RIGHT SALES DWG	
ANGULAR TOL \pm 0.5°				EC NO: 705090				PRODUCT CUSTOMER DRAWING	
4 PLACES		\pm		DRWN: YOGEEB		2021/12/13			
3 PLACES		\pm		CHK'D: YOGEEB		2022/02/10			
2 PLACES		\pm 0.13		APPR: LZENG		2022/05/13			
1 PLACE		\pm 0.25		INITIAL REVISION:				DOCUMENT NUMBER	
0 PLACES		\pm		DRWN: MKRAUSE		2015/02/09		SD-173120-0004	
				APPR: TELO		2015/03/02		DOC TYPE DOC PART REVISION	
DRAFT WHERE APPLICABLE MUST REMAIN WITHIN DIMENSIONS				THIRD ANGLE PROJECTION		DRAWING		SHEET NUMBER	
						C-SIZE		2 OF 2	
				SERIES		MATERIAL NUMBER		CUSTOMER	
				173120		SEE TABLE		GENERAL MARKET	

DOCUMENT STATUS	P1	RELEASE DATE	2022/05/13	03:05:16
-----------------	----	--------------	------------	----------