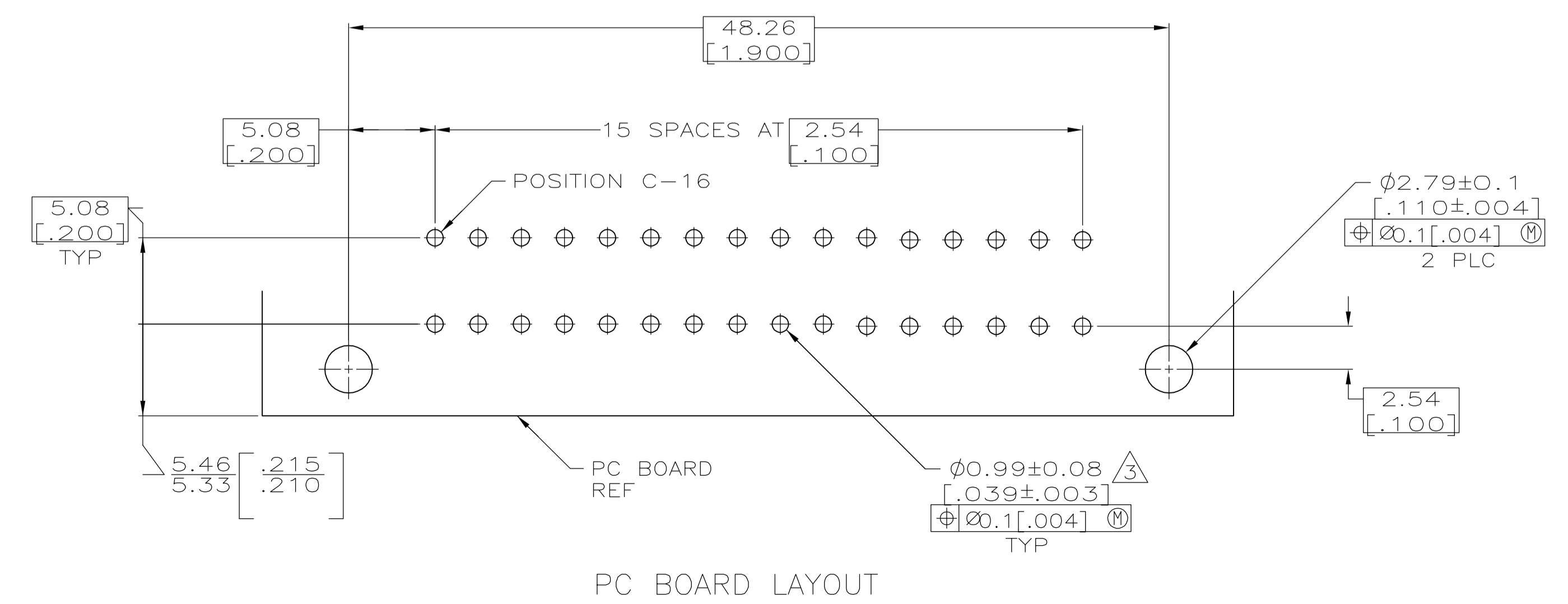
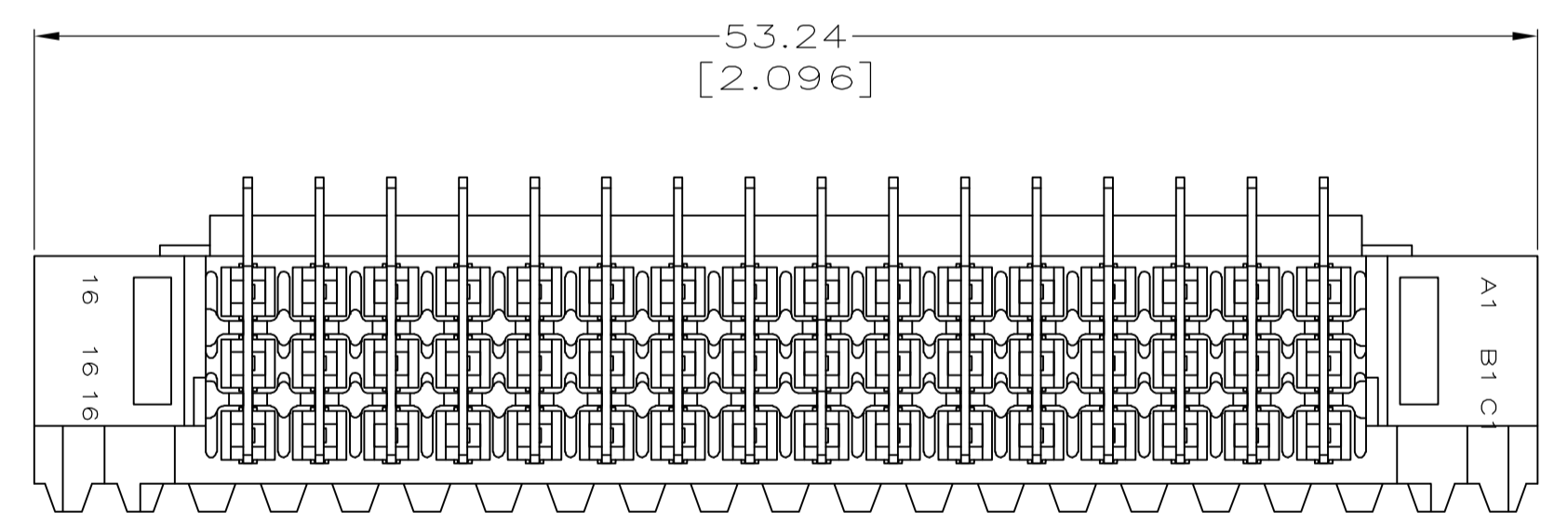
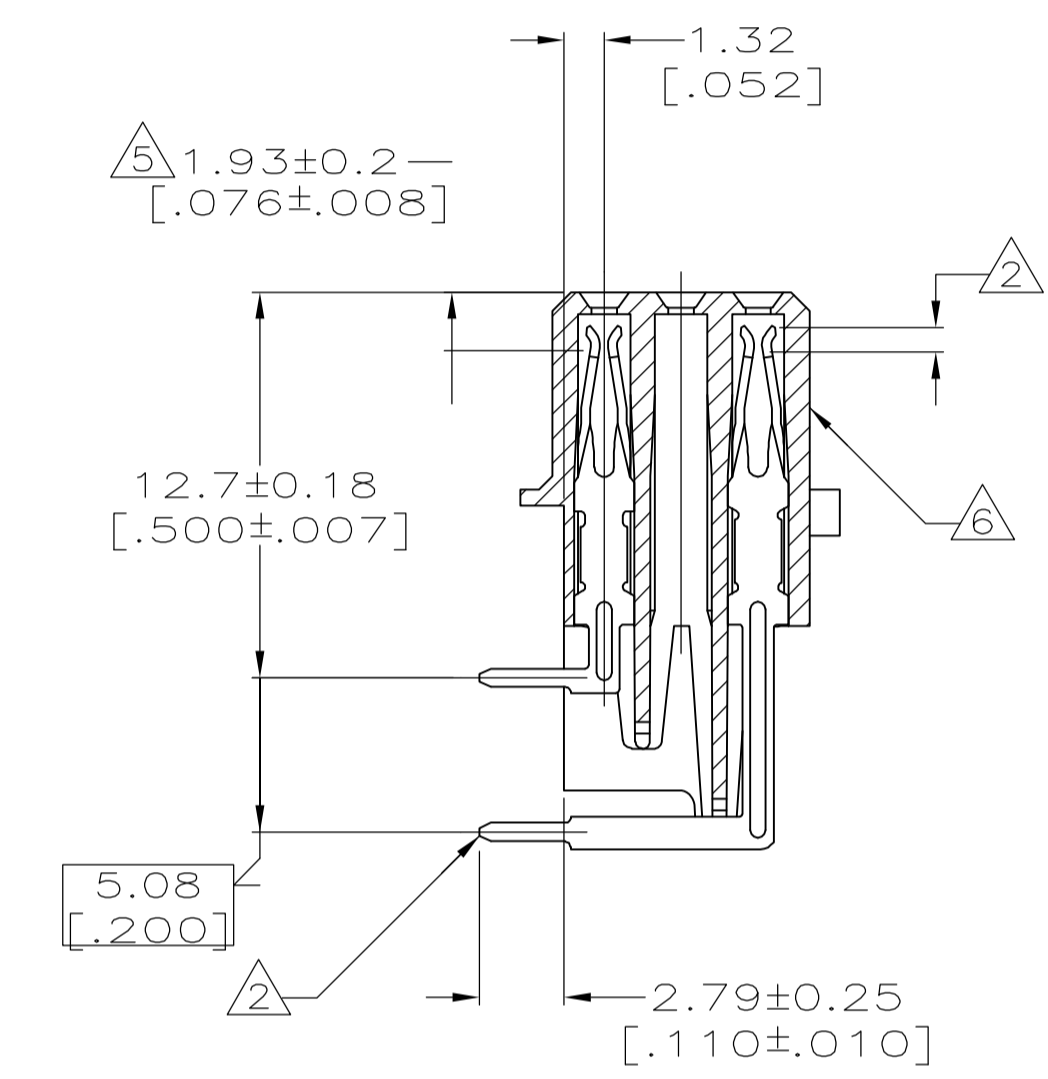
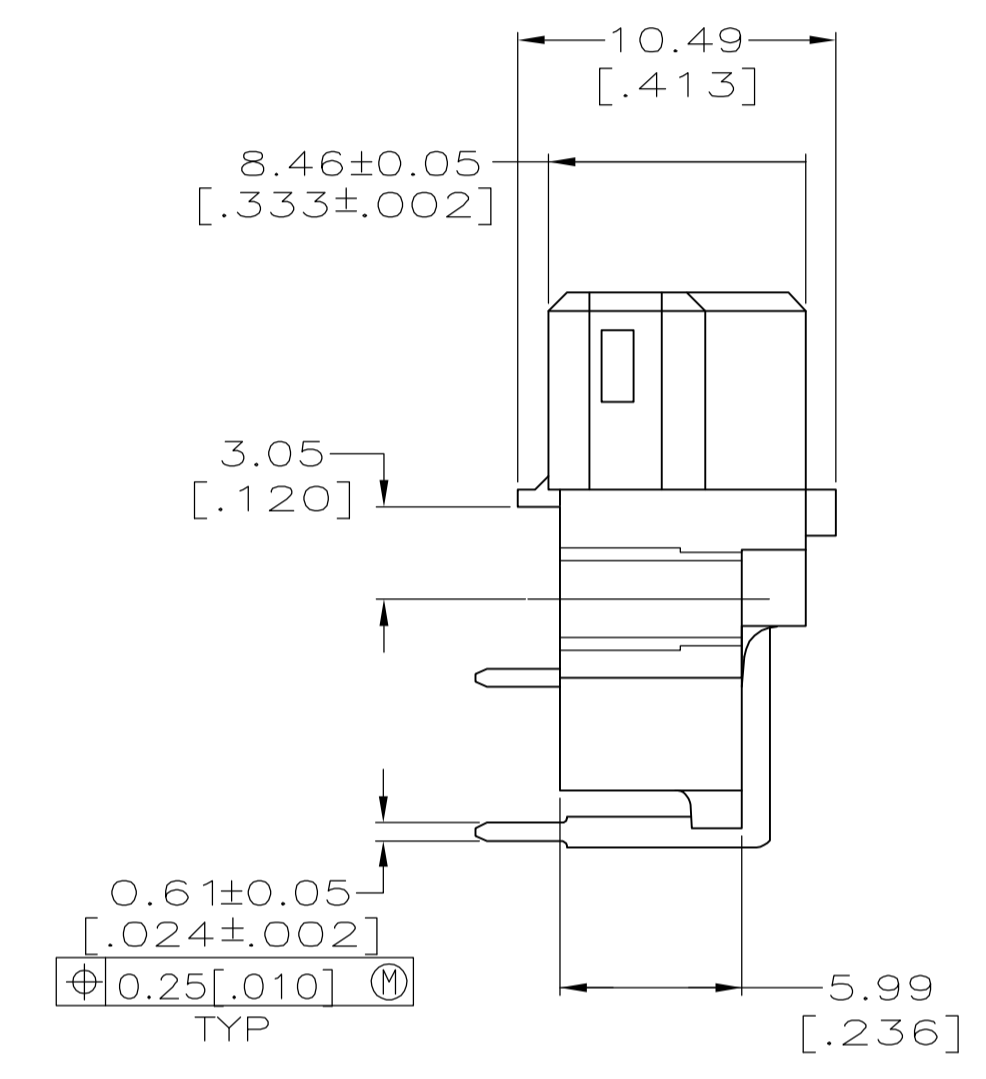
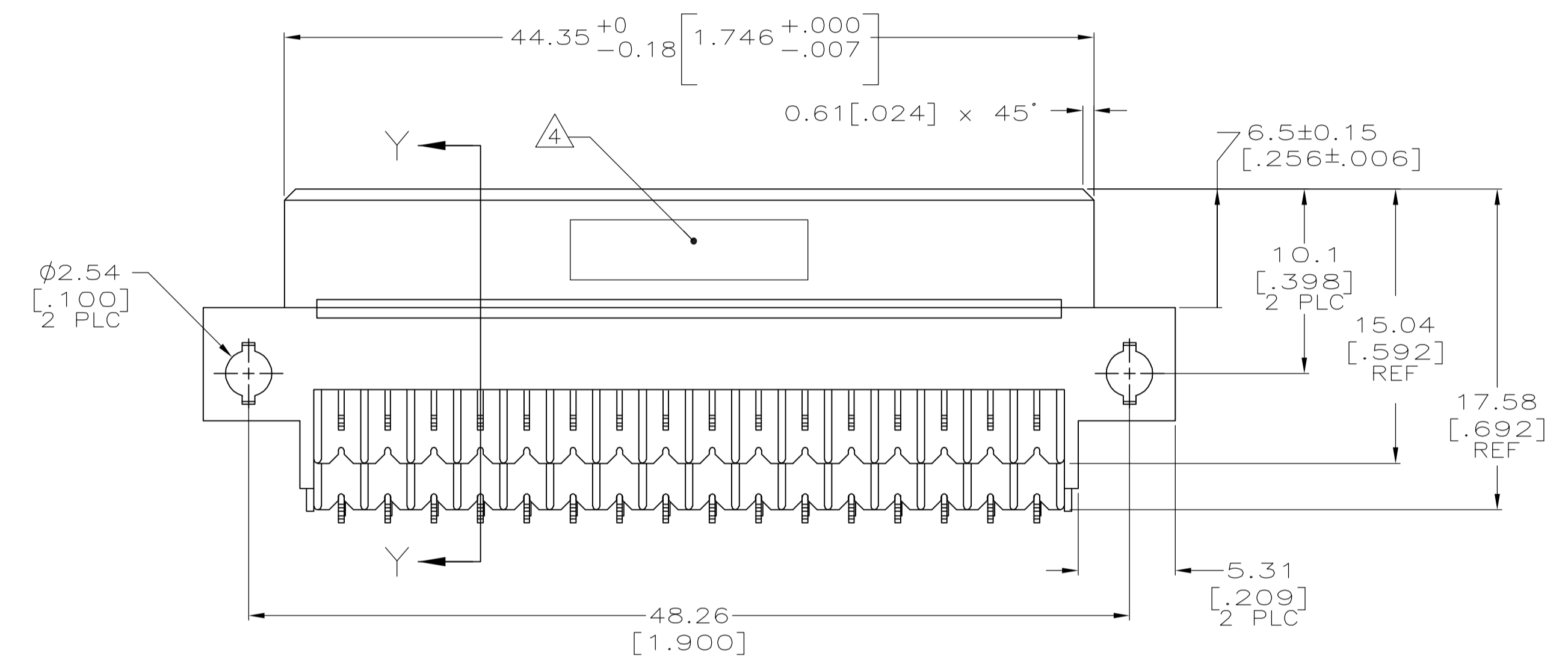


- △ HOUSING MATERIAL: HIGH TEMPERATURE, GLASS-FILLED POLYMER. COLOR: GRAY OR WHITE. CONTACT: PHOSPHOR BRONZE.
- △ CONTACT: DIN 41612 CLASS 2 IN CONTACT AREA, TIN LEAD ON POSTS.
- △ RECOMMENDED HOLE SIZE FOR MANUAL APPLICATION OF CONNECTOR ONTO PC BOARD.
- △ PART NUMBER, DATE CODE IDENTIFICATION, CSA LOGO HOT-STAMPED THIS APPROXIMATE AREA.
- △ CONTACT POINT.
- △ HOT-STAMPING ON THIS SIDE.



1 THRU 16	X	-	X	32	148526-5
POSITIONS LOADED	C	B	A	NO. OF LOADED POSITION	PART NUMBER
THIS DRAWING IS A CONTROLLED DOCUMENT.			DIN B CARDO 05 APR 99	Tyco Electronics Corporation	
DIMENSIONS: mm [INCHES]			CHK C RICHARD 05 APR 99	Harrisburg, PA 17105-3608	
TOLERANCES UNLESS OTHERWISE SPECIFIED:			APVD C RICHARD 05 APR 99	NAME	
0 PLC	±	-	PRODUCT SPEC		
1 PLC	±	-	APPLICATION SPEC		
2 PLC	±	0.13 [.005]	SIZE		
3 PLC	±	-	CASE CODE		
4 PLC	±	-	DRAWING NO		
ANGLES	±	-	RESTRICTED TO		
MATERIAL	1	2	WEIGHT	A1 00779	148526
CUSTOMER DRAWING			SCALE	4:1	SHEET 1 OF 1 REV A