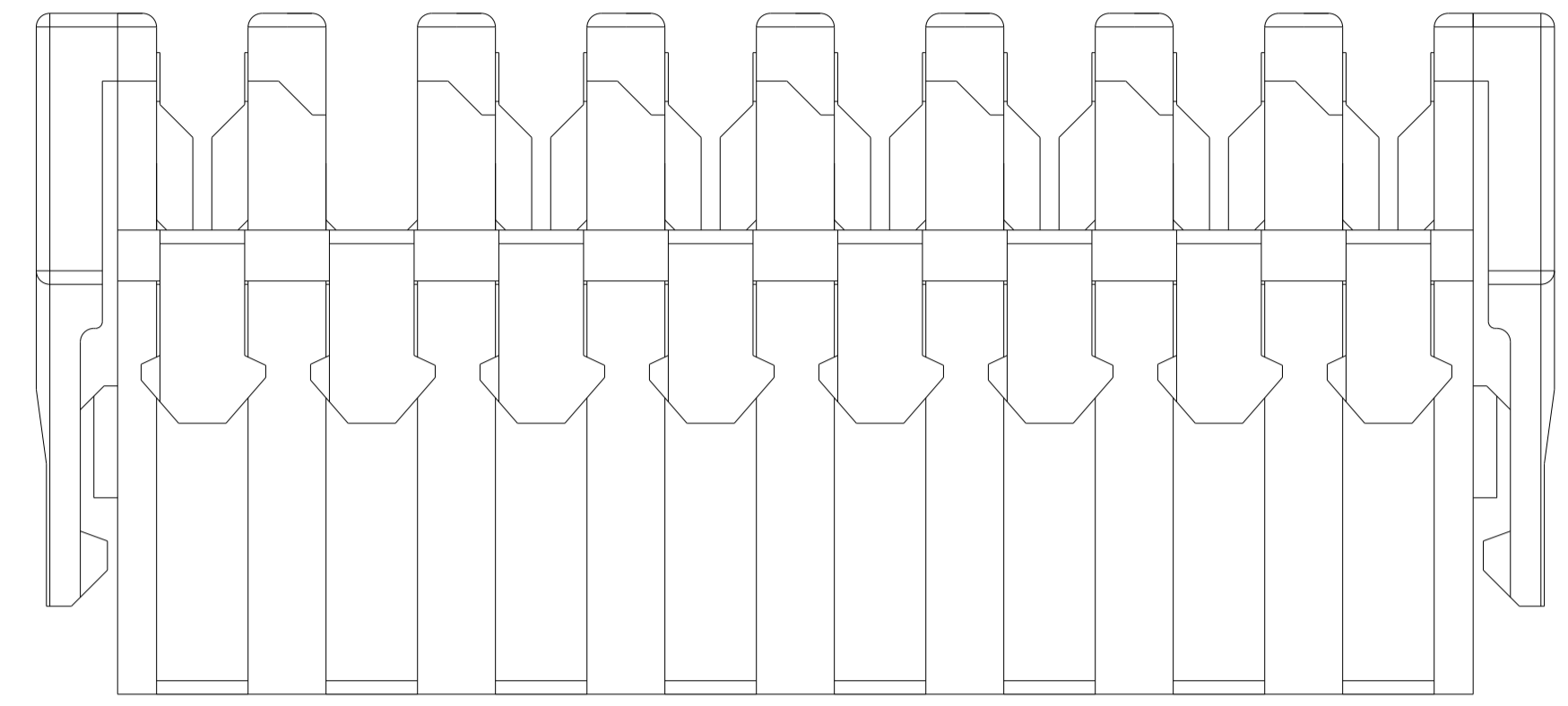
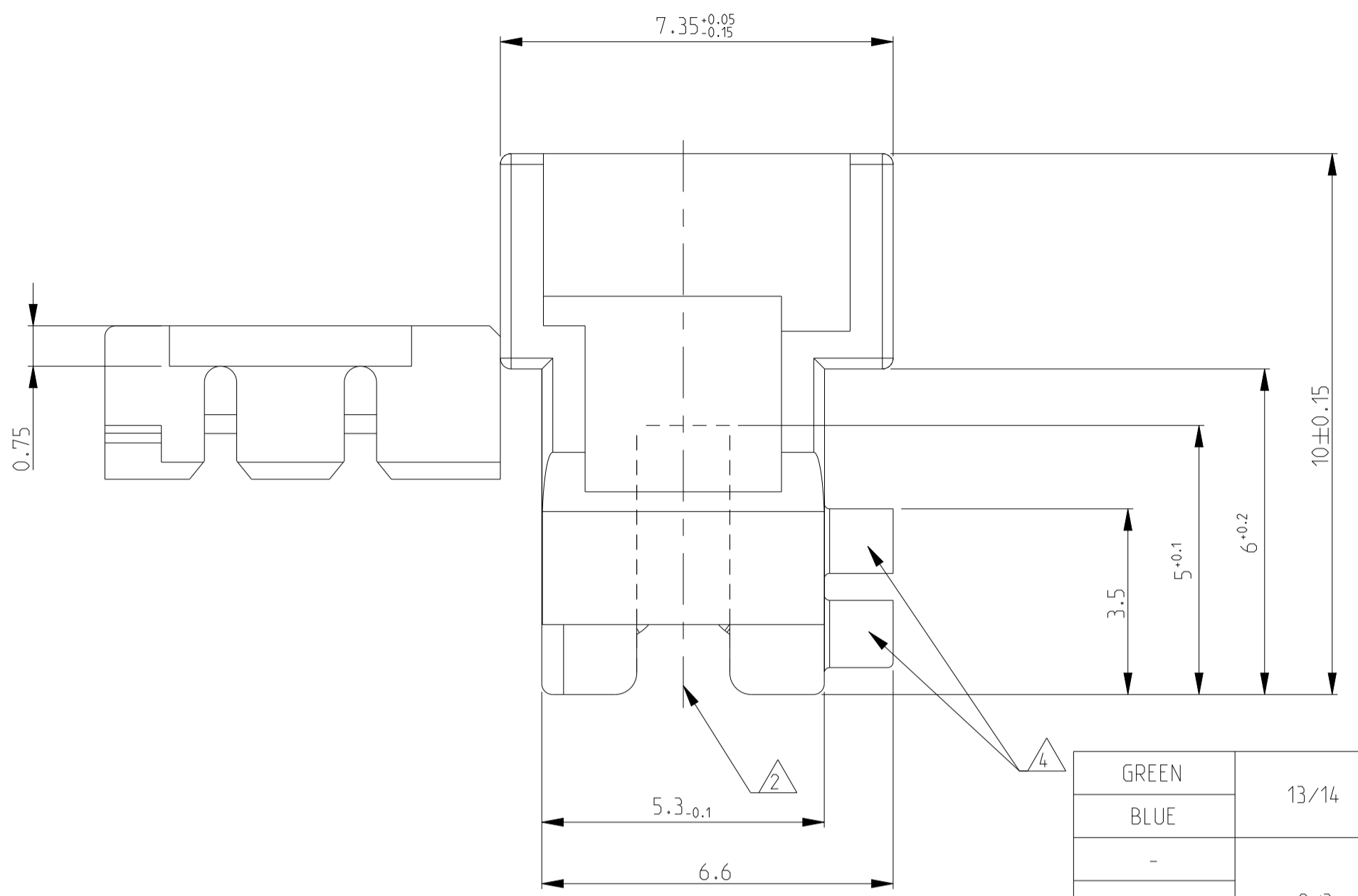
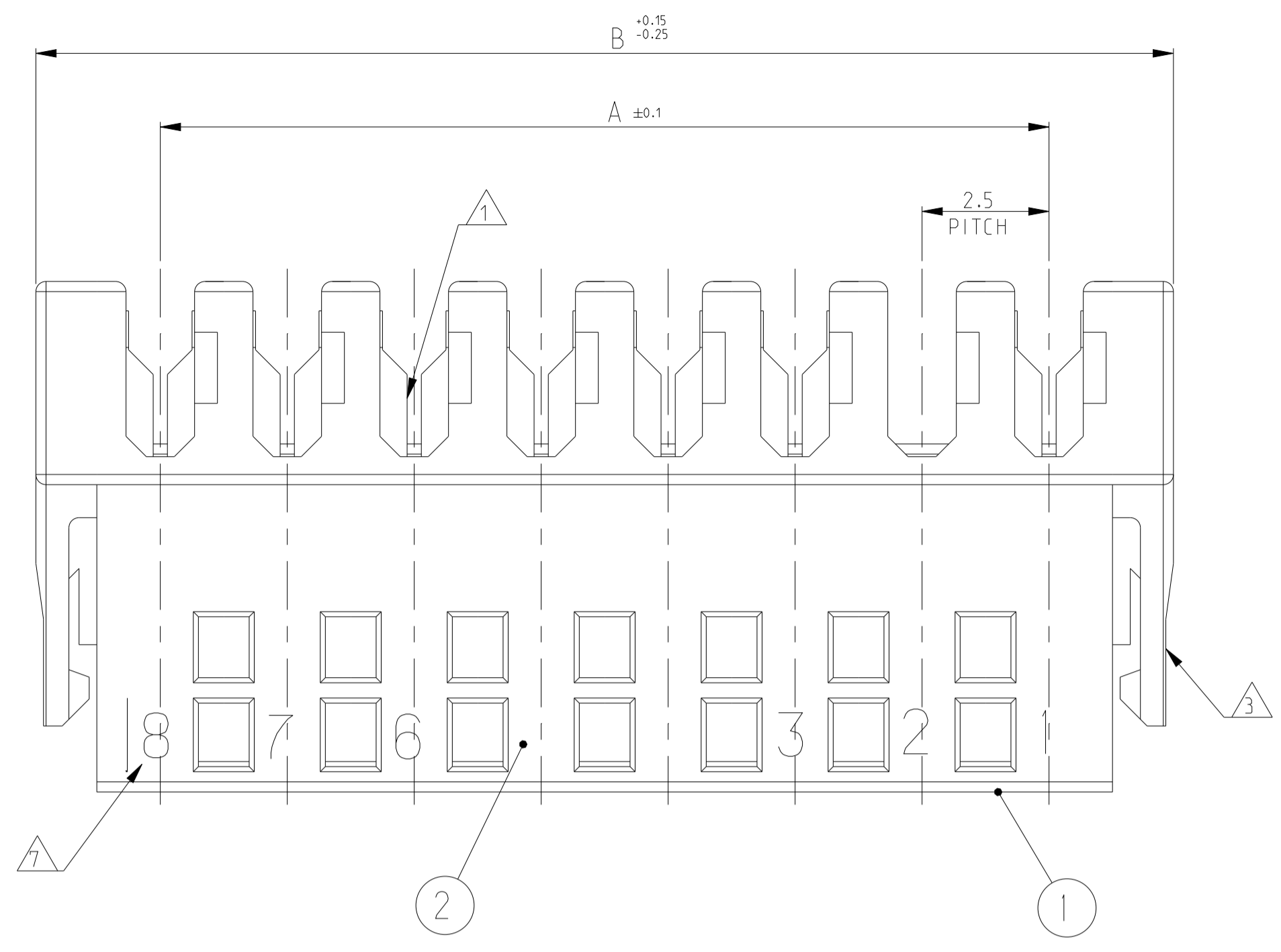


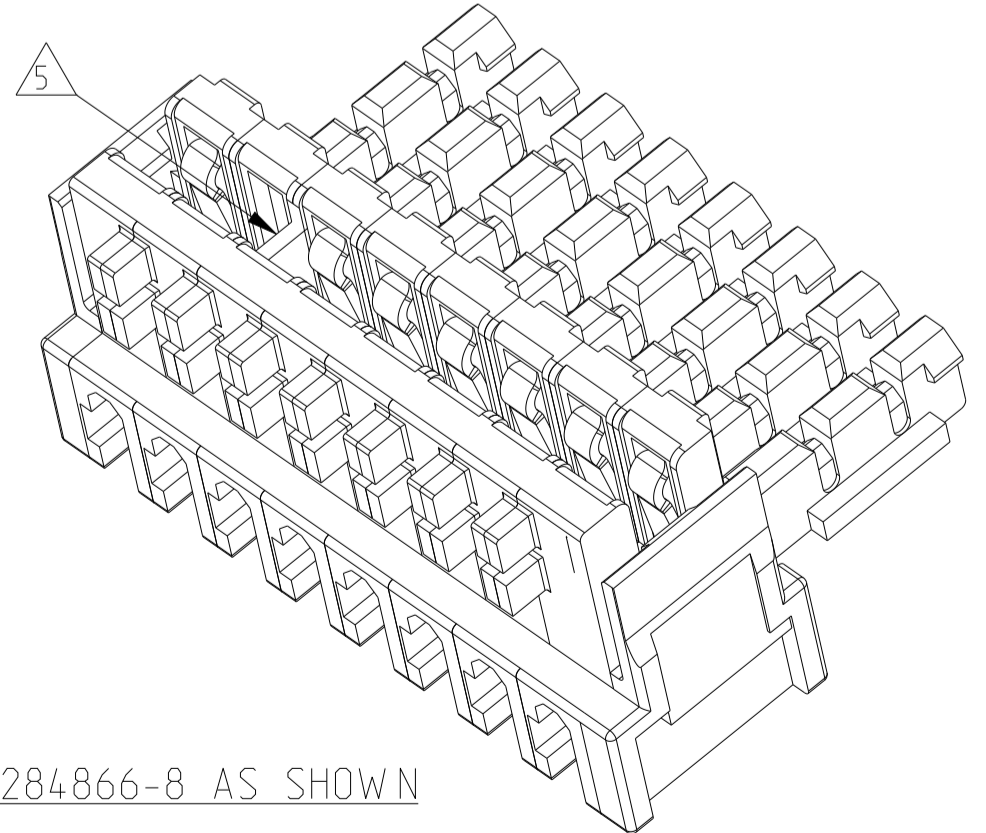
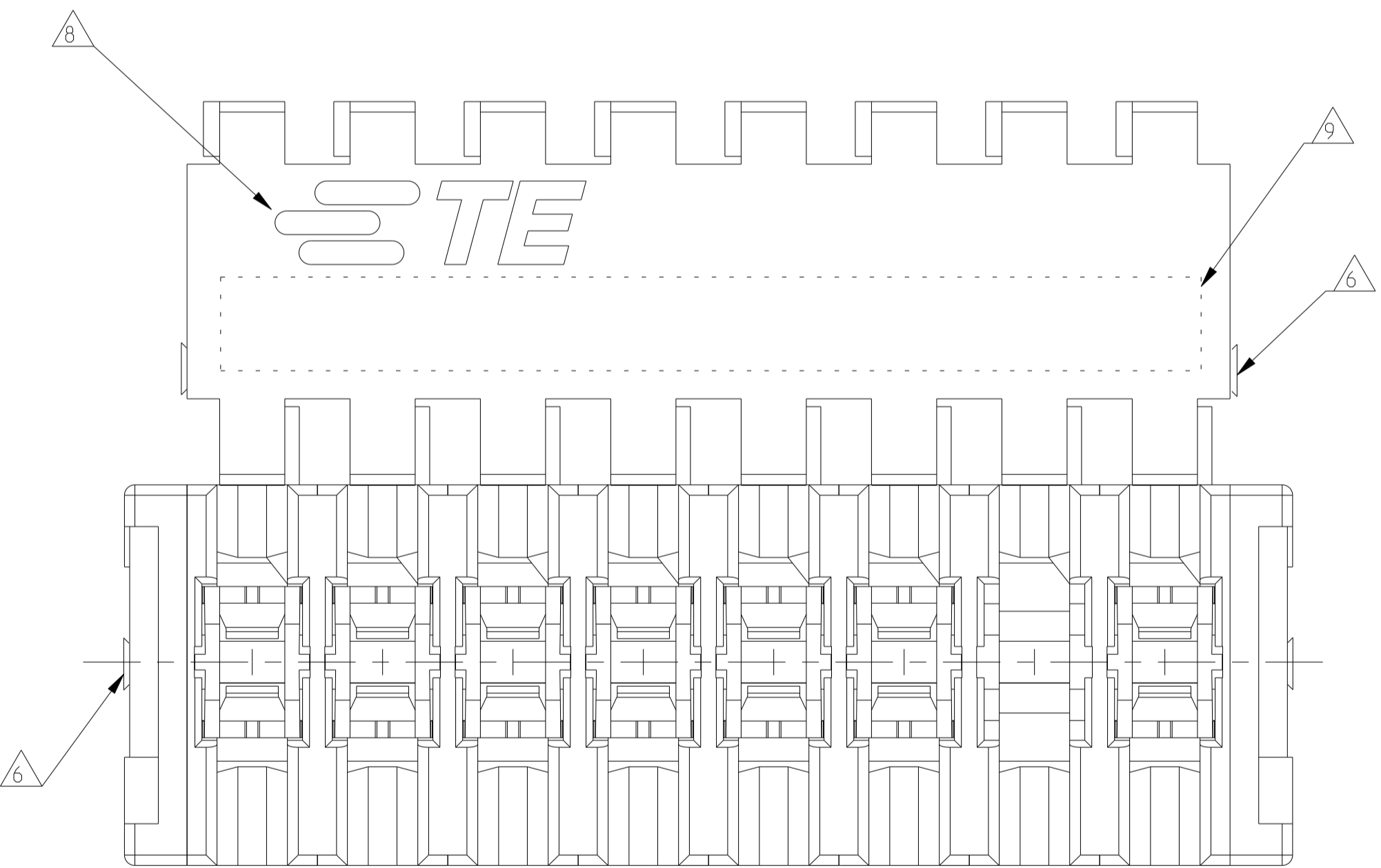
REVISIONS					
P	LTN	DESCRIPTION	DATE	OWN	APVD
C9	ECR-22-125582		04 JAN 2022	DC	FL
D	ECR-22-128794		10 FEB 2022	DC	FL
D1	ECR-22-134224		04 APR 2022	DC	FL
D2	ECR-22-162225		16 JAN 2023	DC	FL



- 1 WIRE RANGE : STRANDED 0.22-0.35 mm<sup>2</sup> (INS. DIA. 1.30±0.1)
- 2 MATING PART: P.C.B. EDGE, DOUBLE SIDE, THK 1.5 (COPPER CLADDING INCLUDED)
- 3 SIDE LOCKING DEVICE
- 4 KEYING RIBS TO BE REMOVED BY TERMINATION MACHINE
- 5 POLARIZATION RIBS BETWEEN CAVITIES
- 6 CUT OFF DIMENSION DUE TO PRODUCTION PROCESS
- 7 CIRCUIT No. IDENTIFICATION
- 8 TE TRADEMARK (OPTIONAL POSITION)
- 9 TAMPOGRAPHIC COLOUR CODE AREA (P/Ns IDENTIFICATION BEFORE CRIMPING AREA)
- 10 FOR PCB LAYOUT, SEE SHEET 2 FOR CONNECTION VIEW LAYOUT, SEE SHEET 2
- 11 PRELIMINARY NOT YET RELEASED FOR PRODUCTION
- 12 PBT GF
- 13 PA GF, UL94-V0 & GWEPT 750 NO-FLAME, NATURAL
- 14 ALTERNATIVE RESIN PBT GF
- 15 PART RELEASED WITHOUT EXTENSIVE TERMINATION TESTS

OBSOLETE

COLOUR CODE	POLARIZ. RIB POS.	CONTACT LOADING	HSG POS.	DIM.A	DIM.B	TE P/N	TE P/N	TE P/N
GREEN	13/14	SELECTIVELY 1,3,4,6,8,9,10,11,12,13,14	14	32.5	37.4	5-284866-4	1-2311508-4	5-2402732-4
BLUE		SELECTIVELY 1,3,4,6,11,12,13,14				1-284866-4	2311508-4	1-2402732-4
-		SELECTIVELY 1,2,5,6,8,10,11,13				4-284866-3	-	4-2402732-3
-	2/3	SELECTIVELY 3,4,5,6,8,10,11,13	13	30.0	34.9	3-284866-3	-	3-2402732-3
-		SELECTIVELY 1,2,3,4,5,6,8,10,11,13				5-284866-3	-	5-2402732-3
BLUE	2/3	SELECTIVELY 1,3,4,6,7,9,11,12	12	27.5	32.4	1-284866-2	2311508-2	1-2402732-2
BLACK	2/3	SELECTIVELY 1,3,5,6,7,8,9,10	10	22.5	27.4	2-284866-0	-	2-2402732-0
BLUE	2/3	SELECTIVELY 1,2,3,4,5,6,7,8,10				<del>1-284866-0</del>	-	-
-	2/3	SELECTIVELY 1,3,5,7,9				9-2311507-9	-	-
-	7/8	SELECTIVELY 1,2,4,6,8,9				2336596-9	-	-
GRAY	3/4	SELECTIVELY 1,3,4,6,8,9				7-284866-9	8-2311507-9	7-2402732-9
RED	4/5	SELECTIVELY 1,2,4,6,8,9				8-284866-9	7-2311507-9	8-2402732-9
-		SELECTIVELY 1,2,4,6,8,9				9-284866-9	/	9-2402732-9
GREEN		SELECTIVELY 1,2,4,6,7,9	9	20.0	24.9	1-284866-9	6-2311507-9	1-2402732-9
BLACK		SELECTIVELY 1,3,5,7,8,9				6-284866-9	5-2311507-9	6-2402732-9
ORANGE		SELECTIVELY 1,2,3,5,7,9				5-284866-9	4-2311507-9	5-2402732-9
ORANGE	2/3	SELECTIVELY 1,3,4,6,8,9				4-284866-9	3-2311507-9	4-2402732-9
RED		SELECTIVELY 1,3,5,6,7,9				3-284866-9	2-2311507-9	3-2402732-9
GREEN		SELECTIVELY 1,3,4,5,6,7,8,9				2-284866-9	1-2311507-9	2-2402732-9
BLUE		SELECTIVELY 1,3,4,6,7,9				0-284866-9	2311507-9	2402732-9
-		SELECTIVELY 1,3,5,6,8				6-284866-8	-	6-2402732-8
-		SELECTIVELY 5,6,7				5-284866-8	-	5-2402732-8
BROWN	2/3	SELECTIVELY 1,2,3,4,6,8	8	17.5	22.4	4-284866-8	3-2311507-8	4-2402732-8
RED		SELECTIVELY 1,3,5,6,7,8				3-284866-8	2-2311507-8	3-2402732-8
GREEN		SELECTIVELY 1,3,4,5,6,7,8				2-284866-8	1-2311507-8	2-2402732-8
BLUE		SELECTIVELY 1,3,4,6,7,8				0-284866-8	2311507-8	2402732-8
BLUE	2/3	SELECTIVELY 1,3,5,7	7	15.0	19.9	1-284866-7	1-2311507-7	1-2402732-7
BLUE		SELECTIVELY 1,3,5,6,7				0-284866-7	2311507-7	2402732-7
-	4/5	SELECTIVELY 1,3,4,6				5-284866-6	-	5-2402732-6
BLACK	2/3	SELECTIVELY 1,3,4,6	6	12.5	17.4	4-284866-6	2-2311507-6	4-2402732-6
GREEN	4/5	SELECTIVELY 1,2,4,6				2-284866-6	1-2311507-6	2-2402732-6
BLUE	2/3	SELECTIVELY 1,3,5,6				0-284866-6	2311507-6	2402732-6
-	2/3	SELECTIVELY 1,3,5				-	4-2311507-5	-
ORANGE	1/2	SELECTIVELY 3,4,5				4-284866-5	3-2311507-5	4-2402732-5
GREEN		SELECTIVELY 1,2,3,5	5	10.0	14.9	3-284866-5	2-2311507-5	3-2402732-5
BLUE	3/4	SELECTIVELY 1,3,4,5				2-284866-5	1-2311507-5	2-2402732-5
RED	2/3	SELECTIVELY 2,4				0-284866-5	2311507-5	2402732-5
GREEN	N/A	SELECTIVELY 1,2,4	4	7.5	12.4	2-284866-4	2311507-4	2-2402732-4
GREEN	1/2	SELECTIVELY 1,3				2-284866-3	1-2311507-3	2-2402732-3
BLUE	-	SELECTIVELY 1,3	3	5.0	9.9	1-284866-3	-	1-2402732-3
BLUE	2/3	SELECTIVELY 1,3				0-284866-3	2311507-3	2402732-3



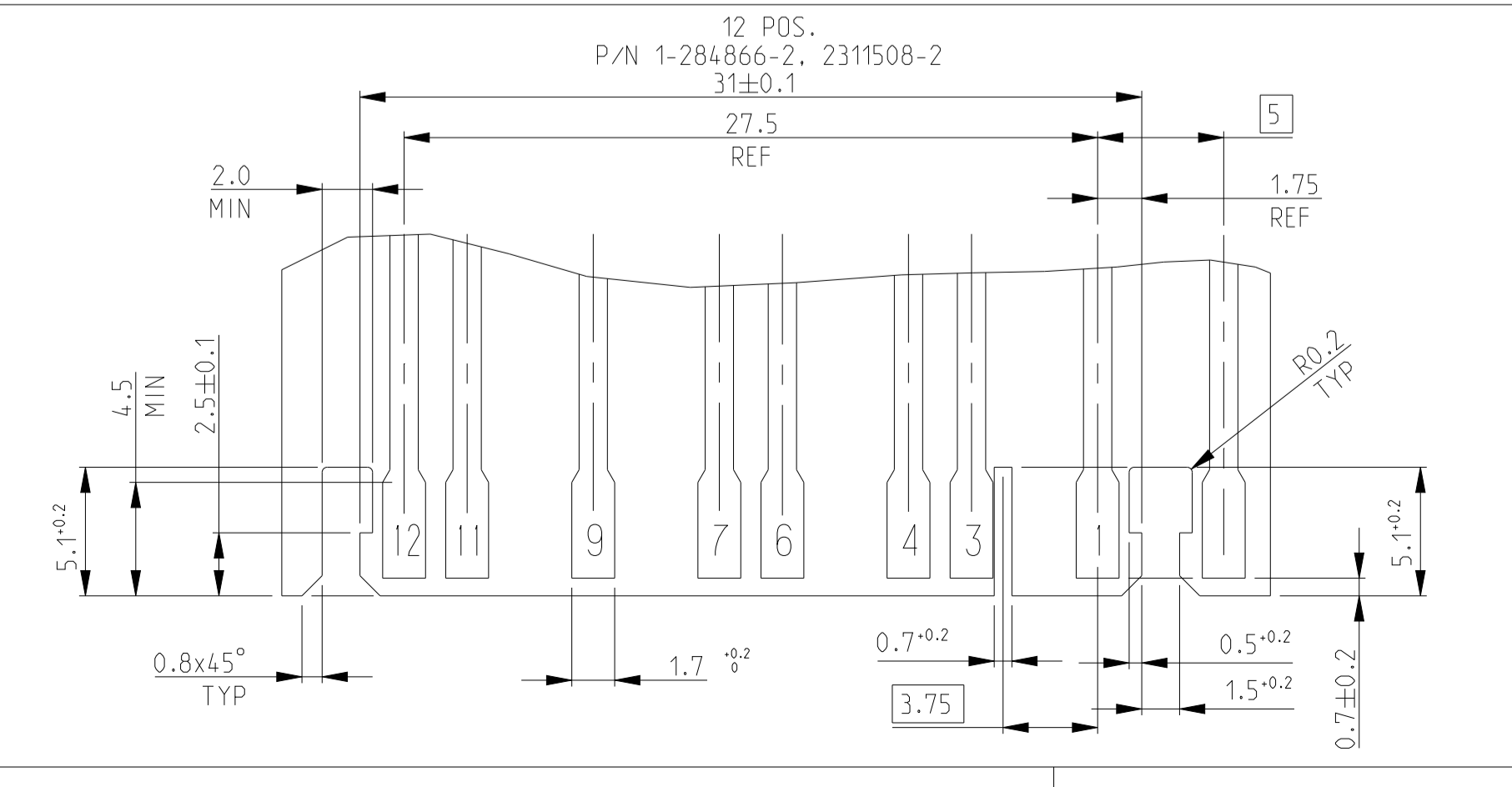
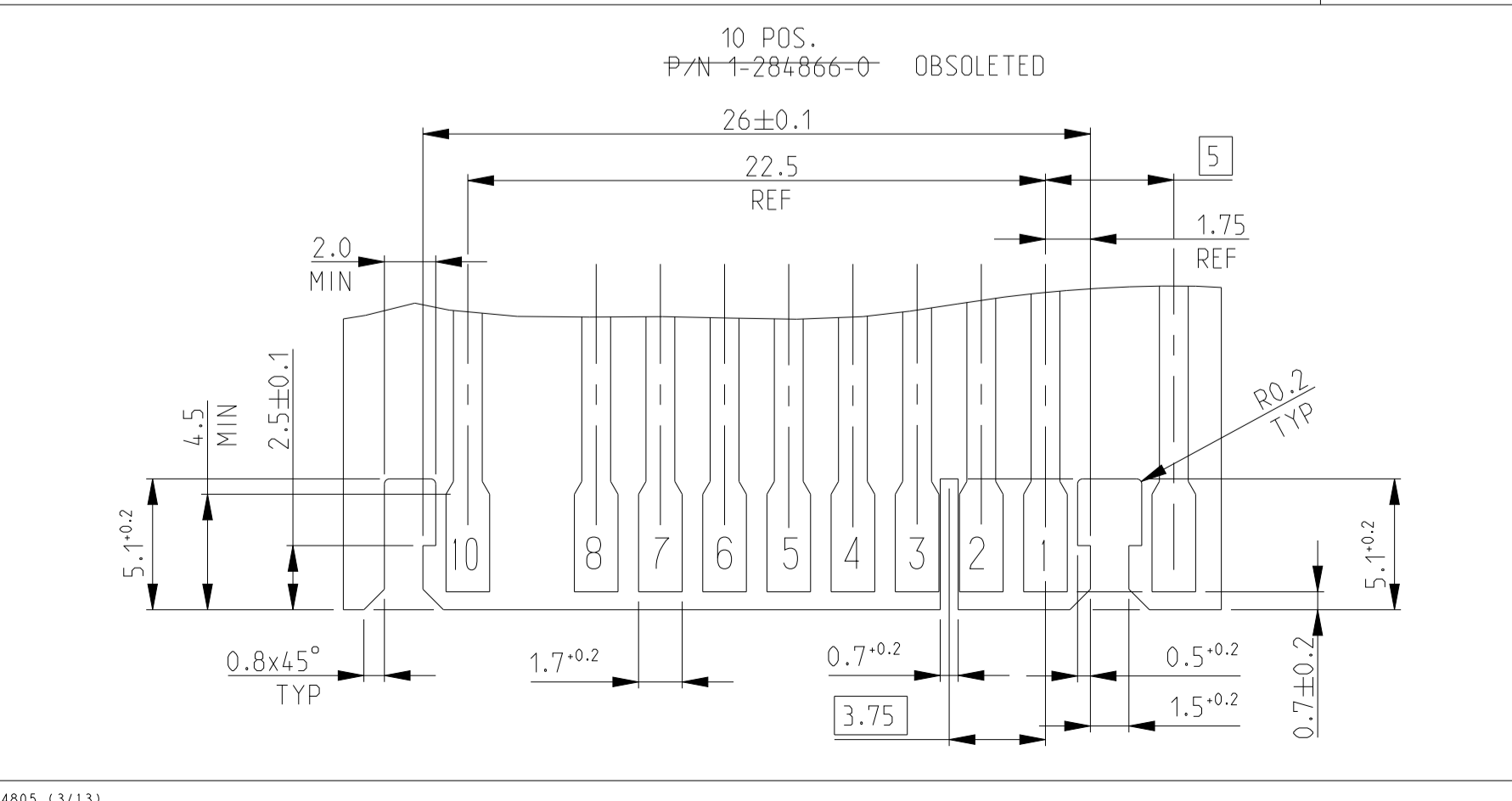
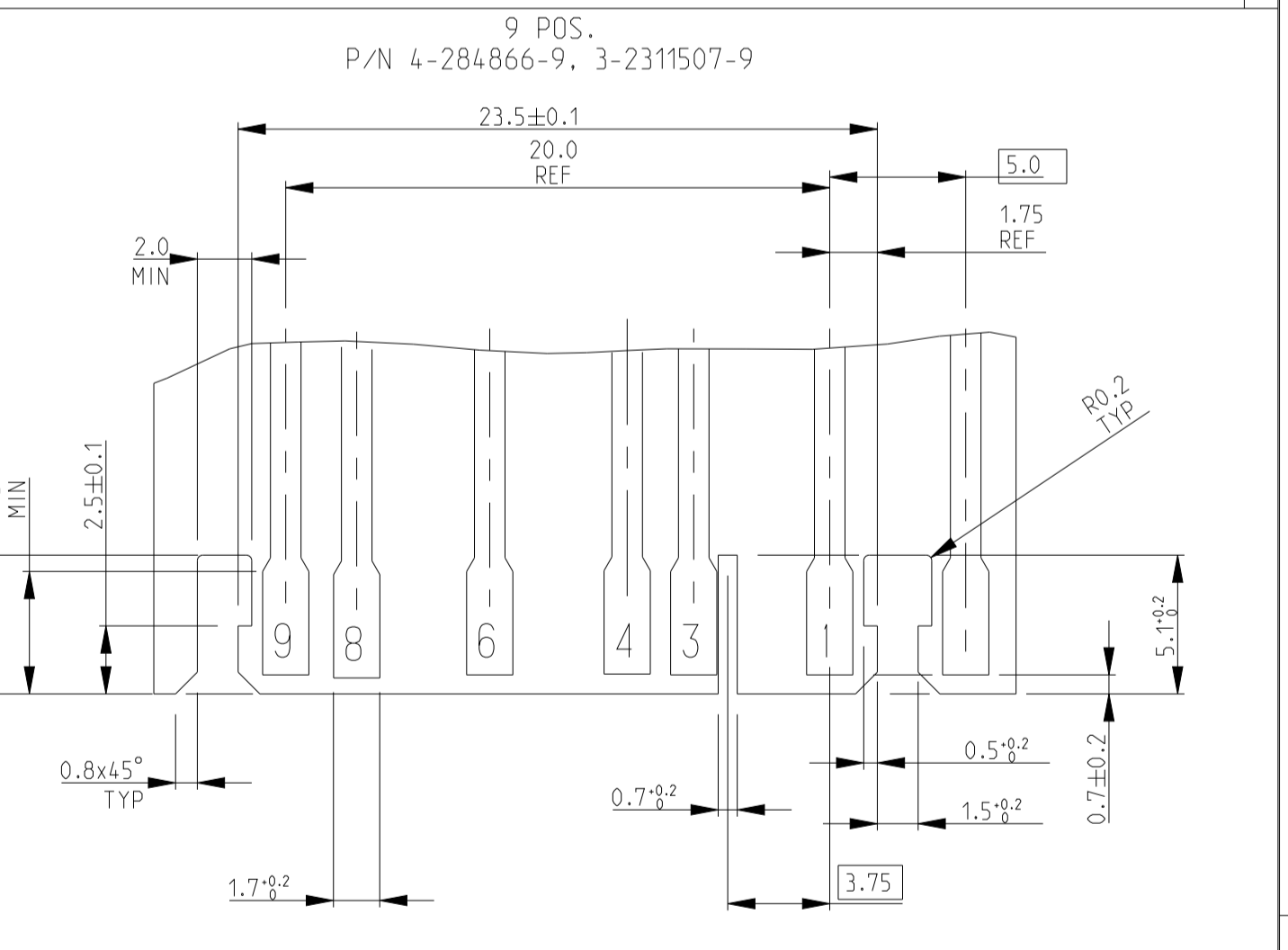
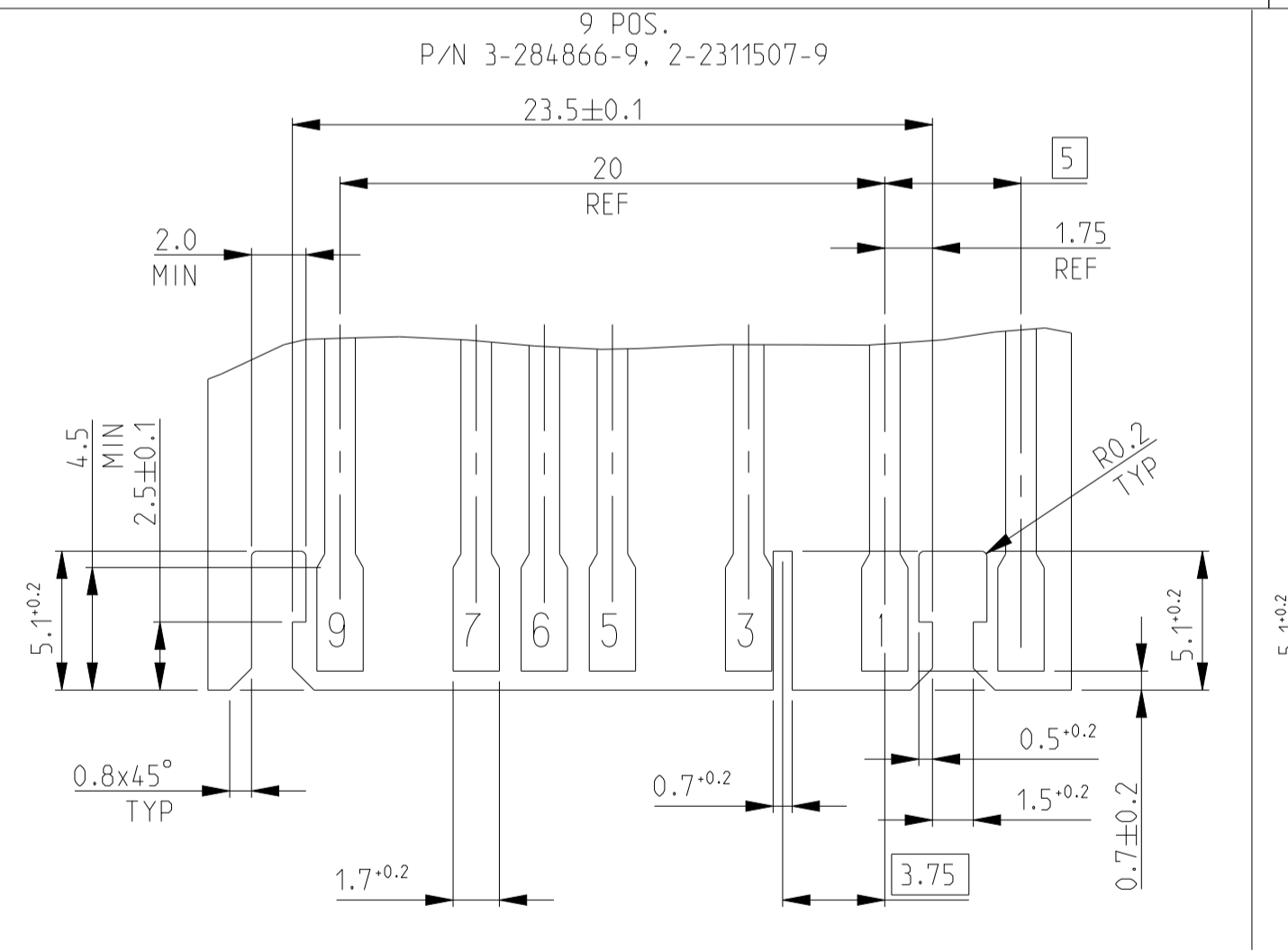
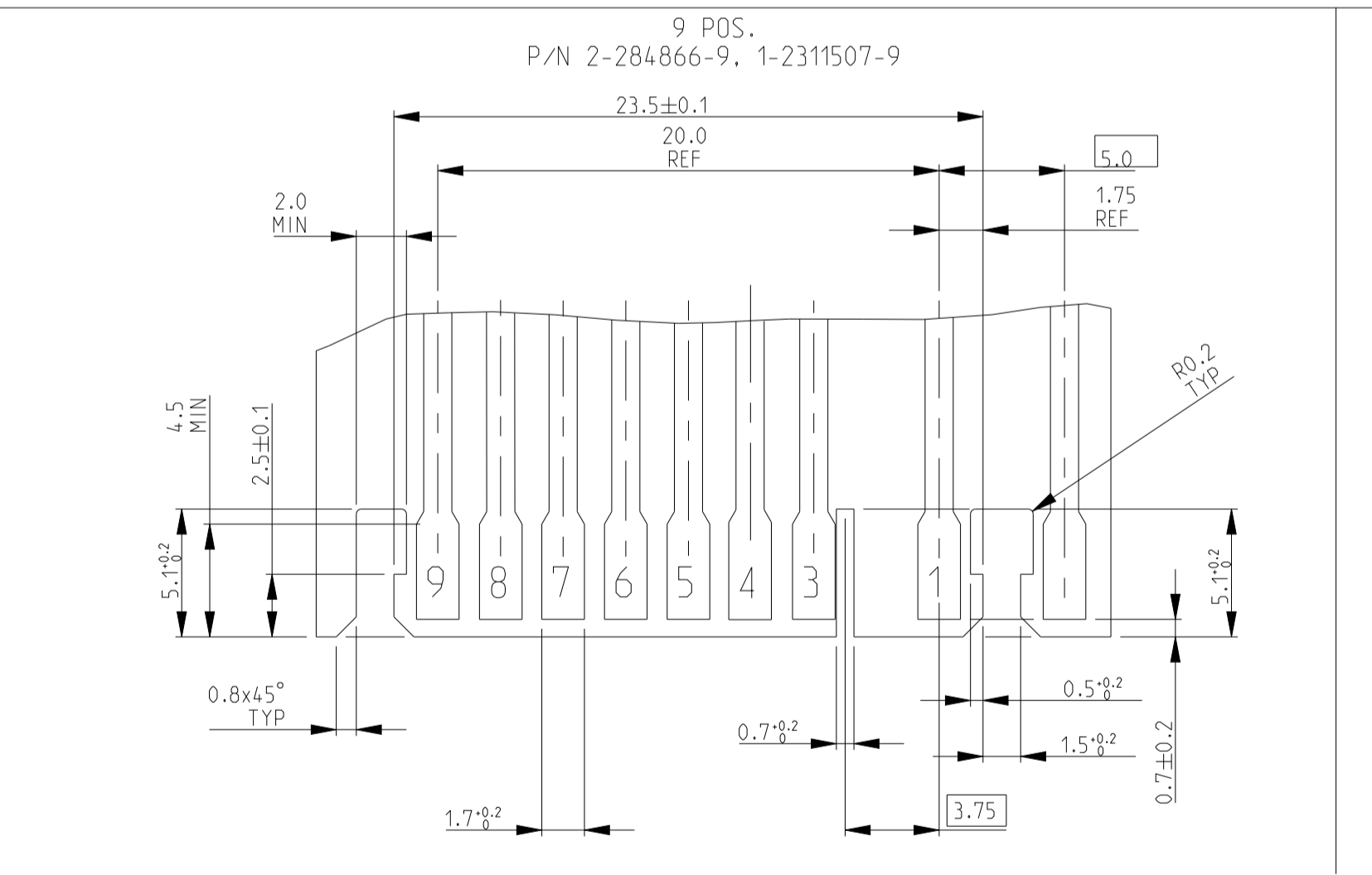
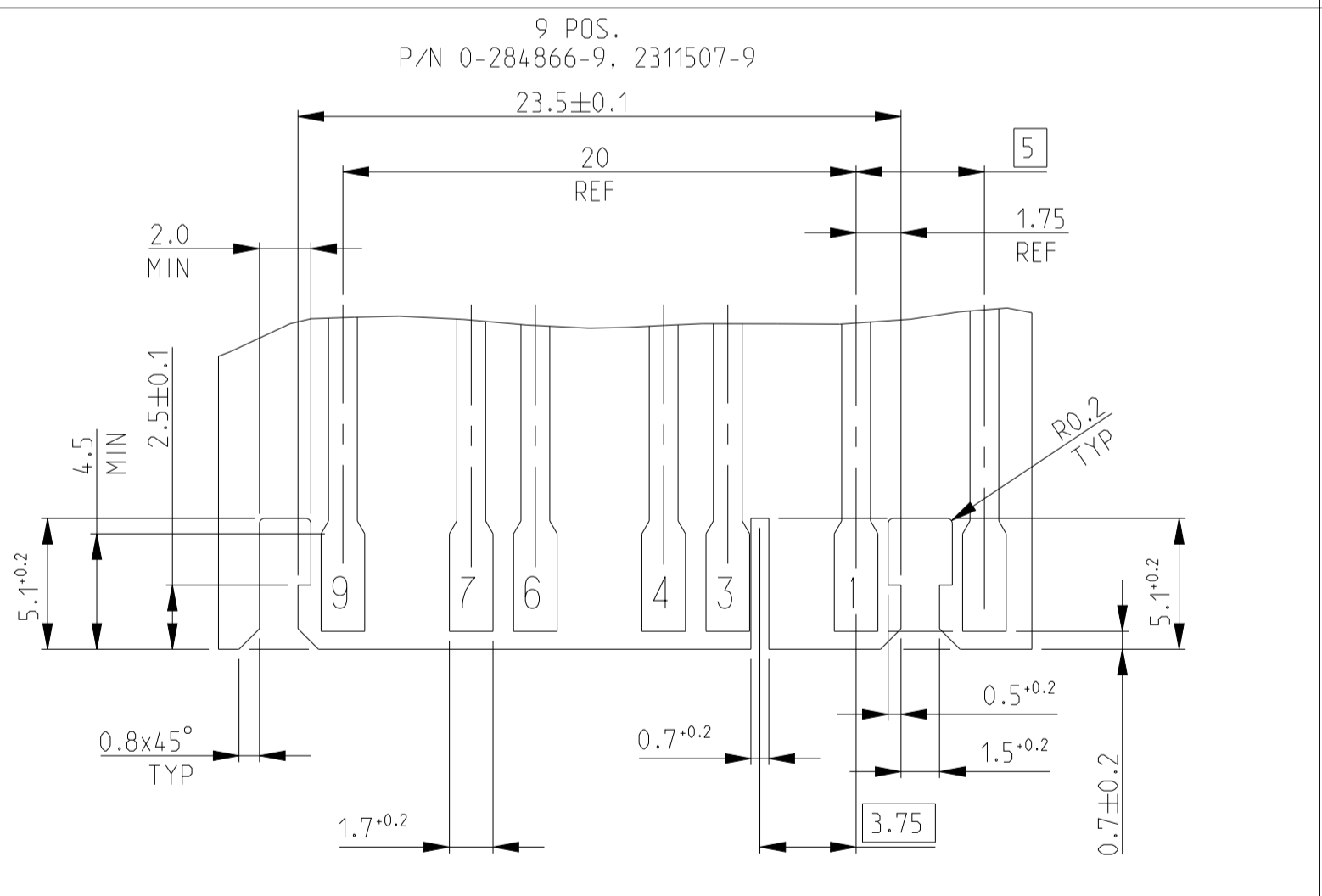
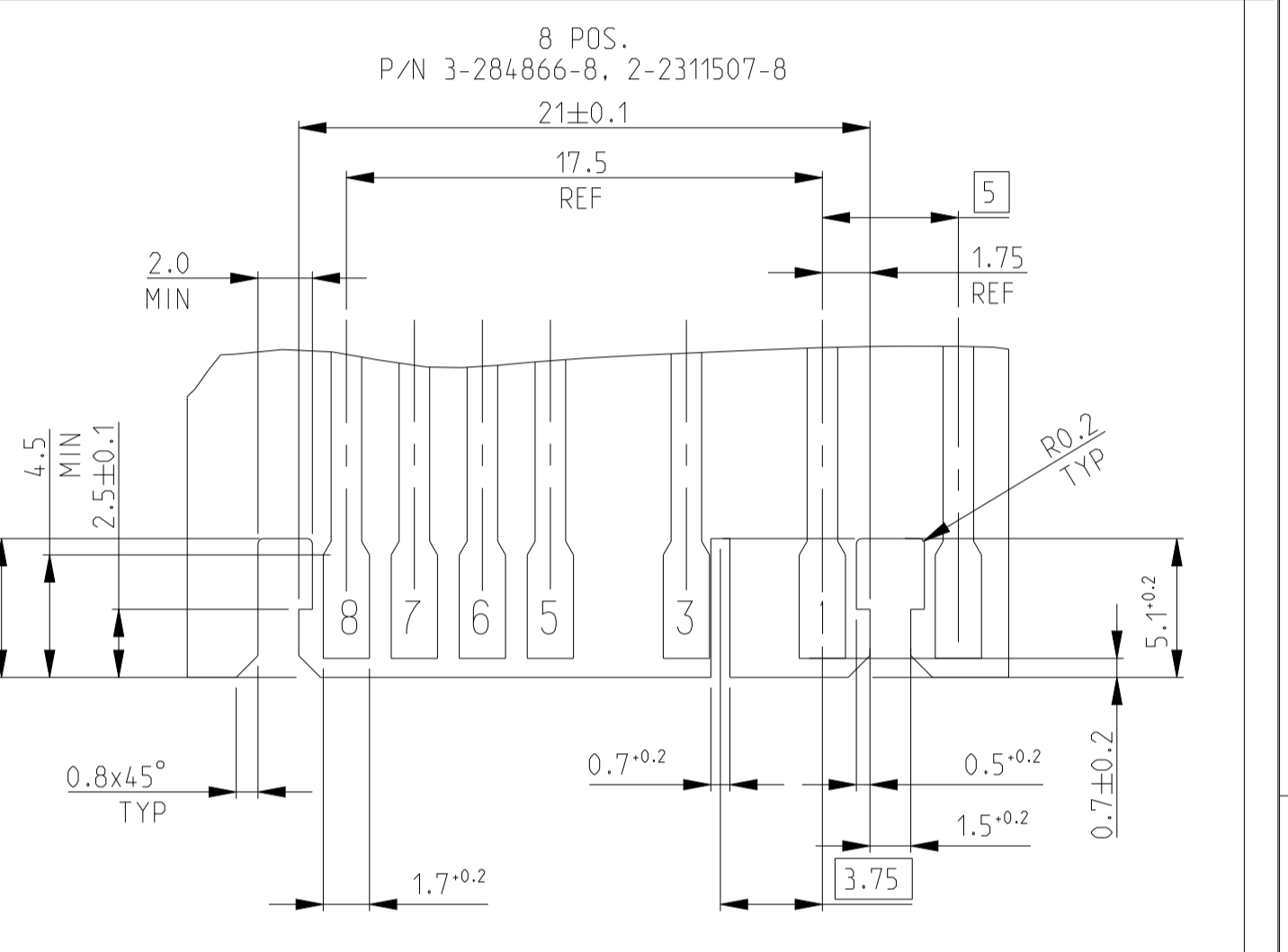
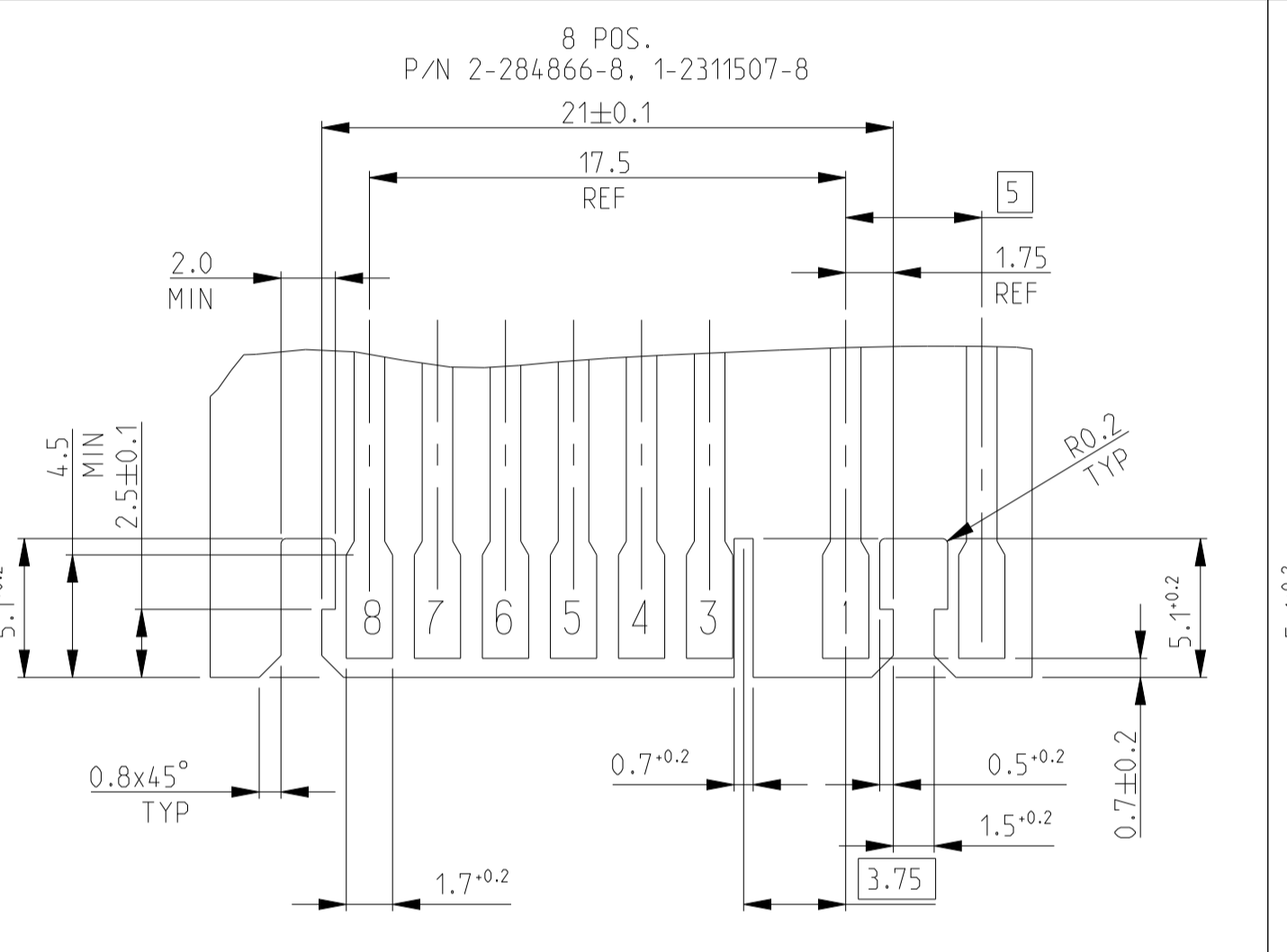
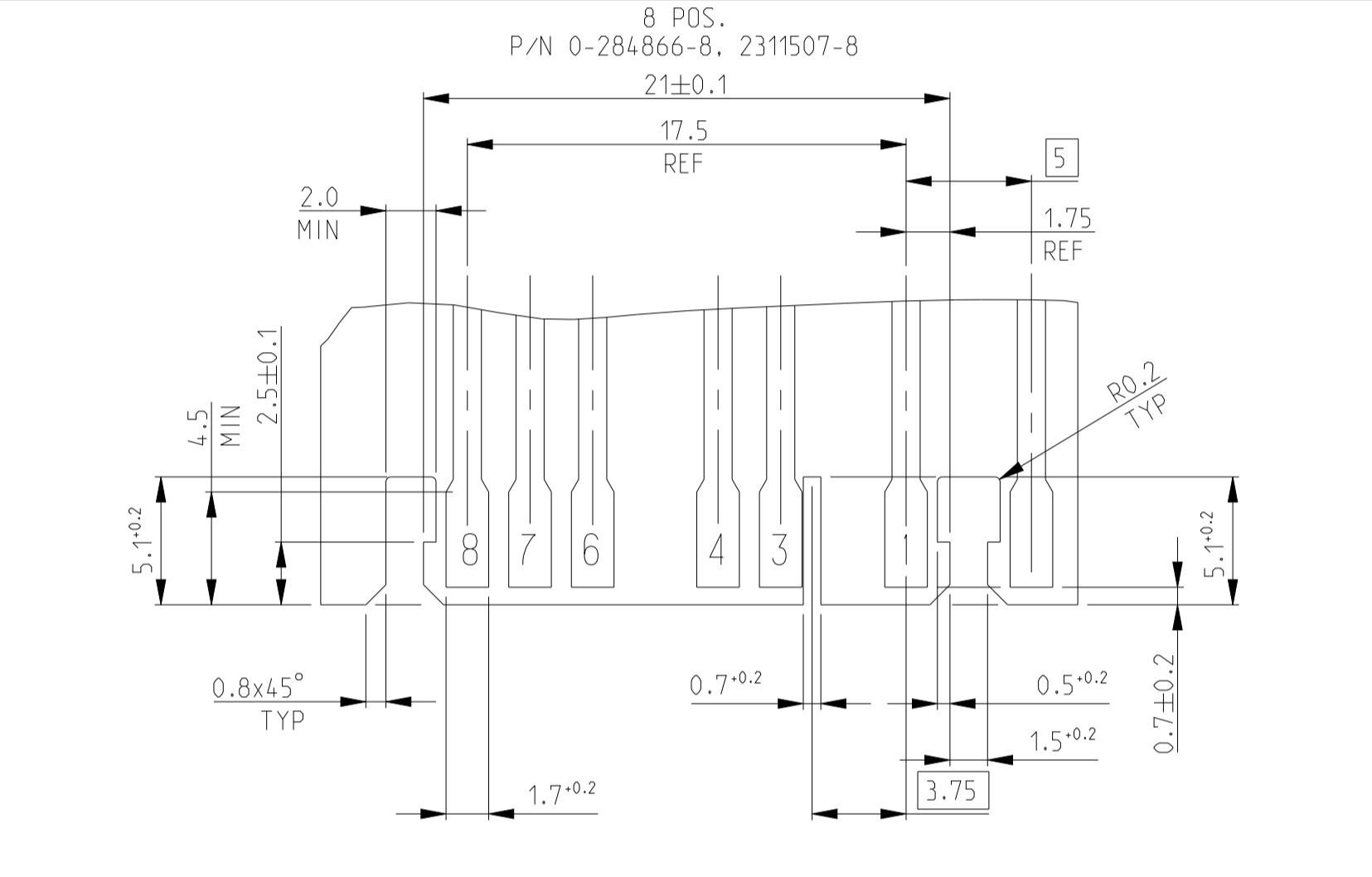
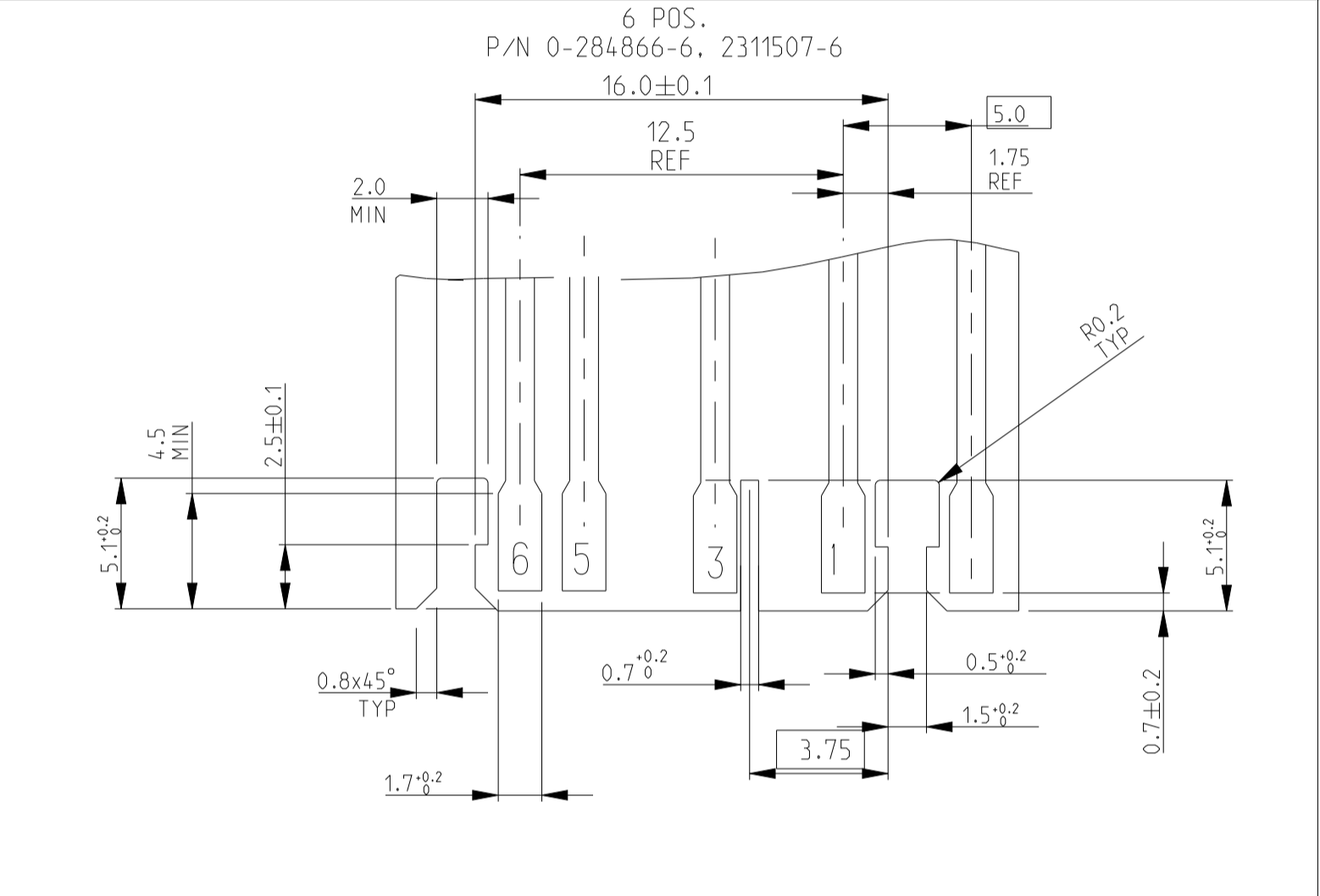
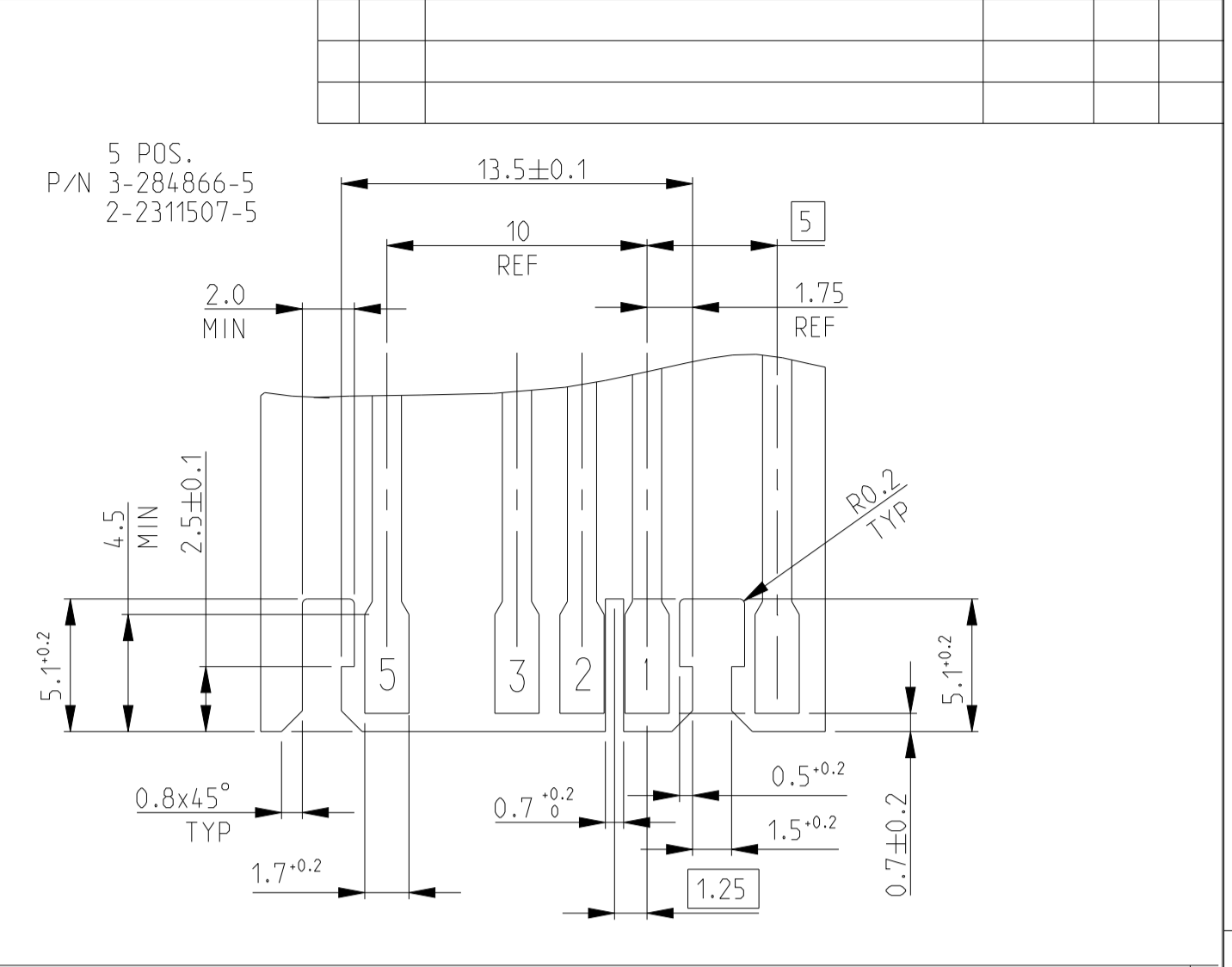
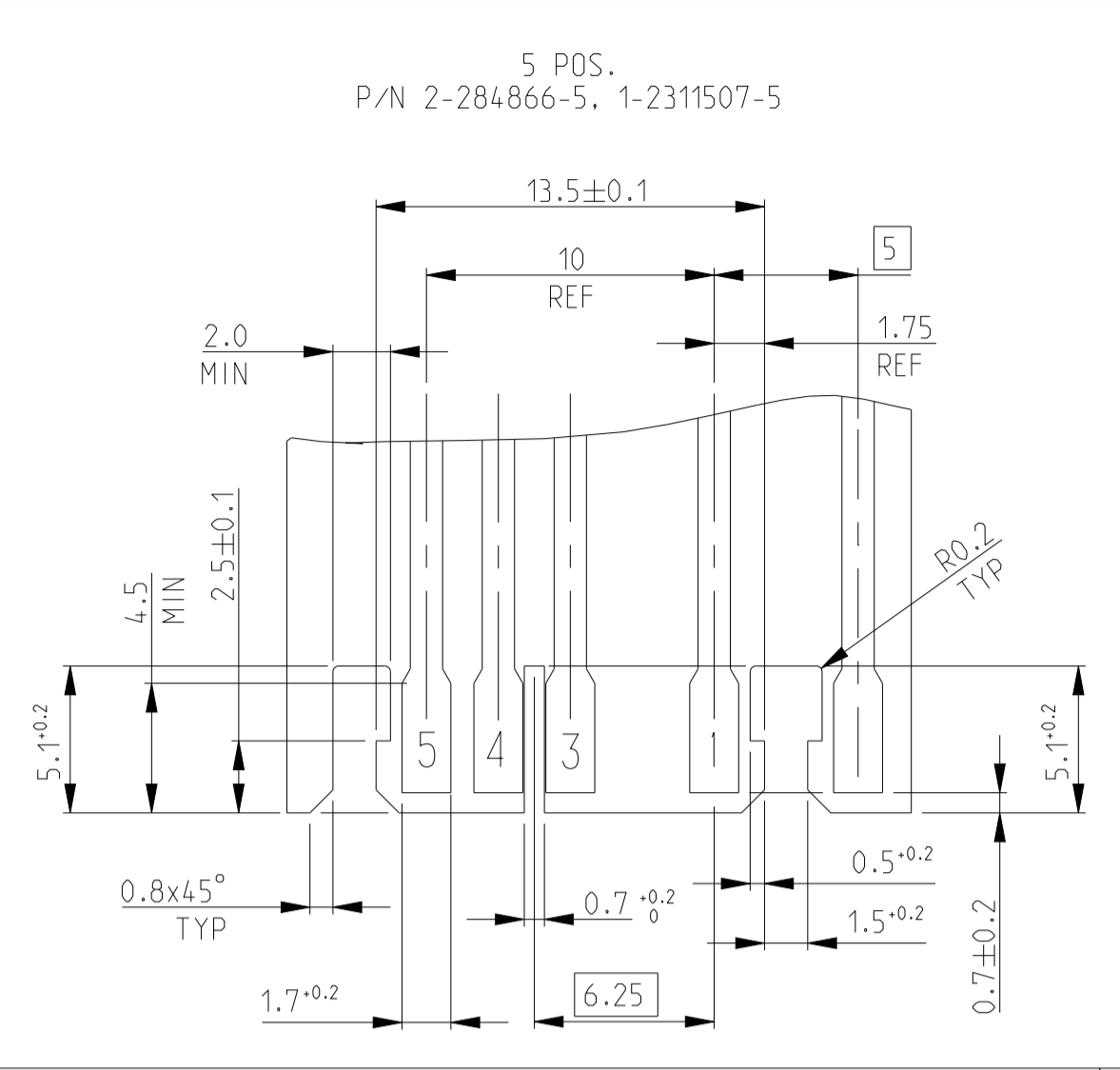
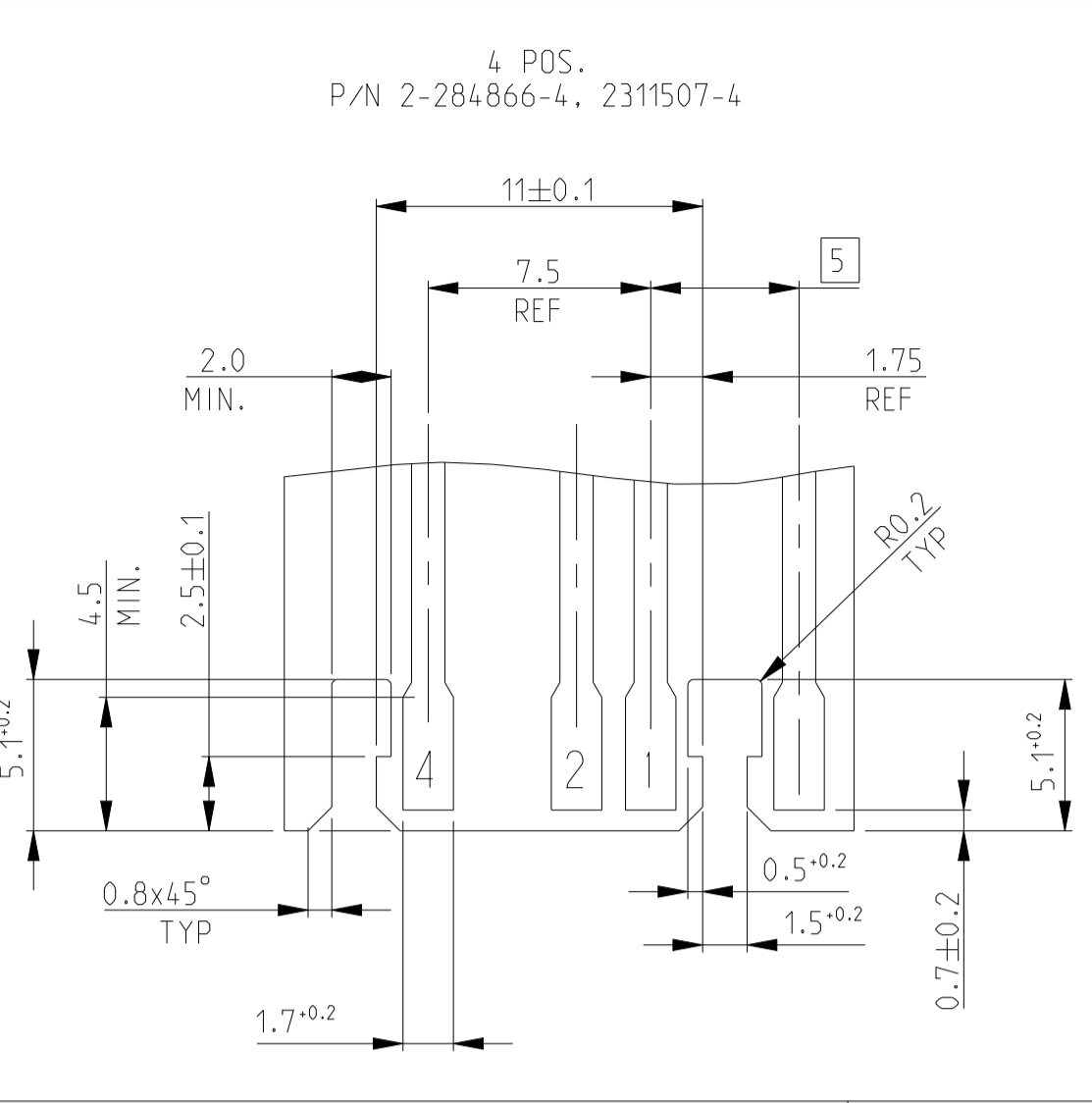
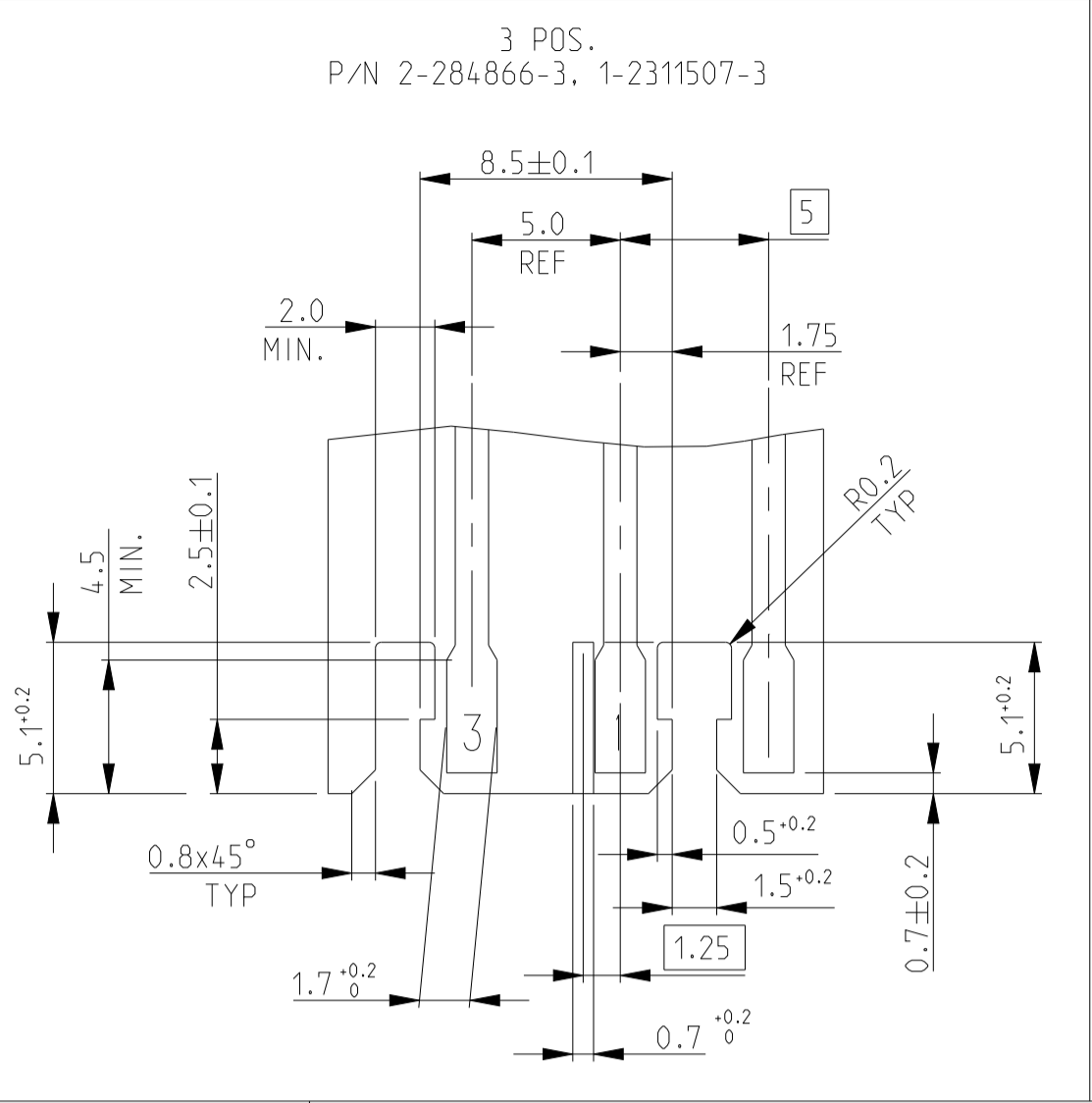
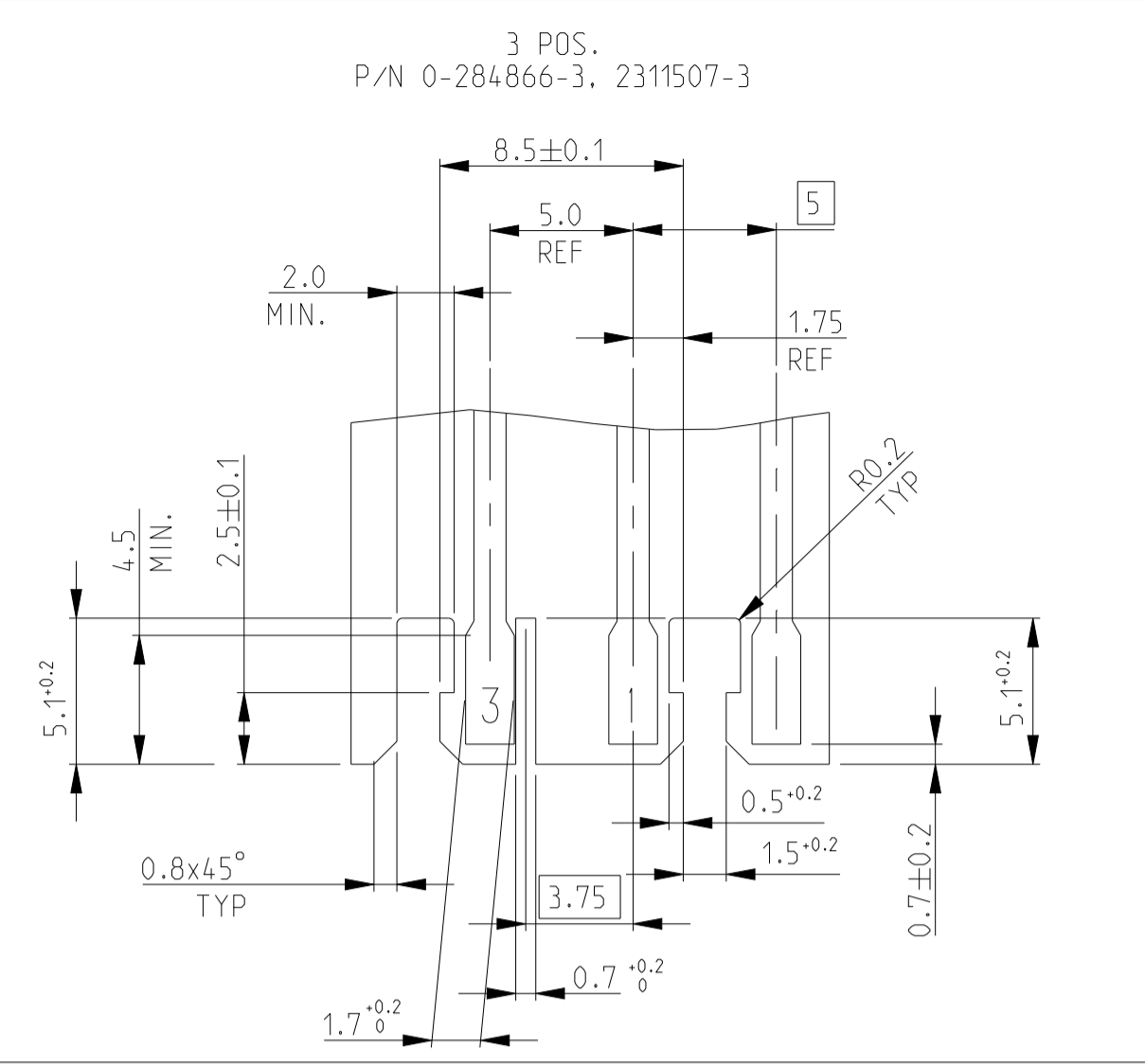
P/N 2-284866-8 AS SHOWN

SEE TABLE	PH. BRONZE, TIN PLATED	IDC RECEPTACLE CONTACT	2	THIS DRAWING IS A CONTROLLED DOCUMENT.		OWN R. FABRIS	03 JUL 2002	TE Connectivity	
Q.TY	MATERIAL	DESCRIPTION	ITEM	DIMENSIONS: mm	TOLERANCES UNLESS OTHERWISE SPECIFIED:	APVD G. TURCO	NAME	DUOPLUG 2.5 FEMALE CONN. SIDE LOCKING, KEYED (SELECTIVELY LOADED CONTACTS)	
1		REVISIONE DELL'ASSEMBLATO (REVISION OF EACH ASSY NOI)				PRODUCT SPEC	SIZE	CAGE CODE	DRAWING NO
0.141 PER ASSEMBLATO DATI PER ASSY		ELENCO DEI COMPONENTI (PARTS LIST)				APPLICATION SPEC	116-18049-1	100779	284866
						WEIGHT	SCALE	10:1	SHEET 1 OF 5
						CUSTOMER DRAWING			REV D2

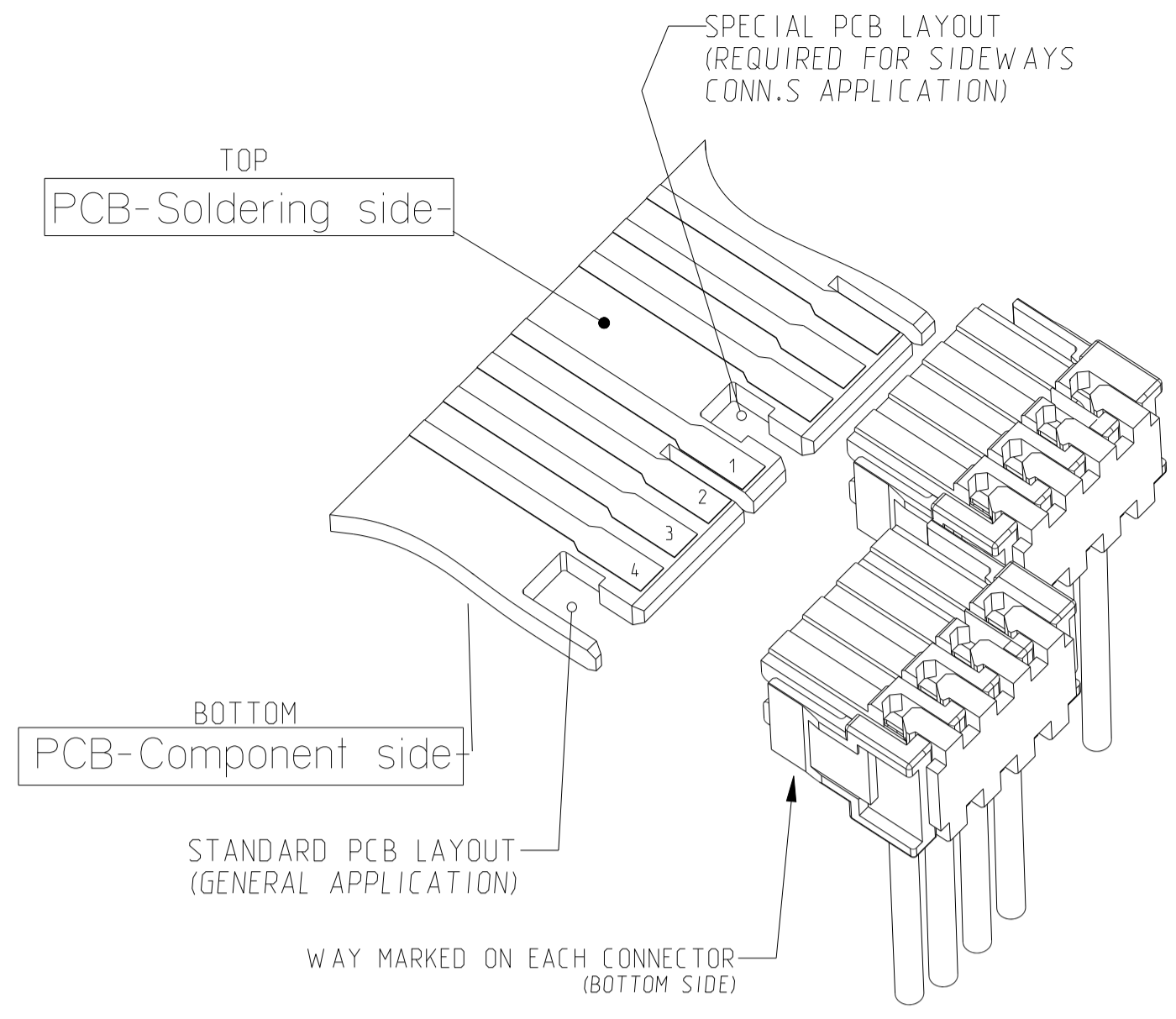
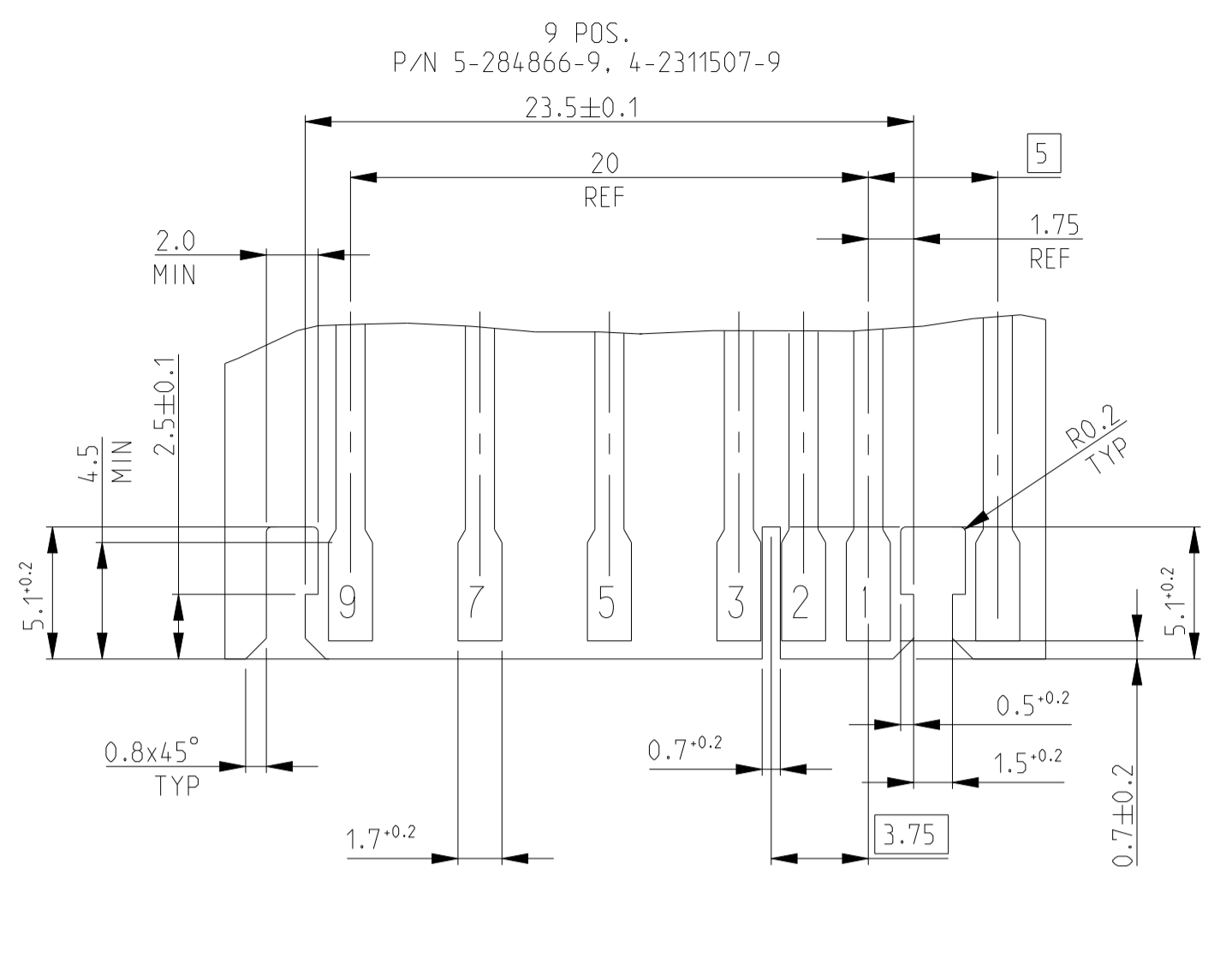
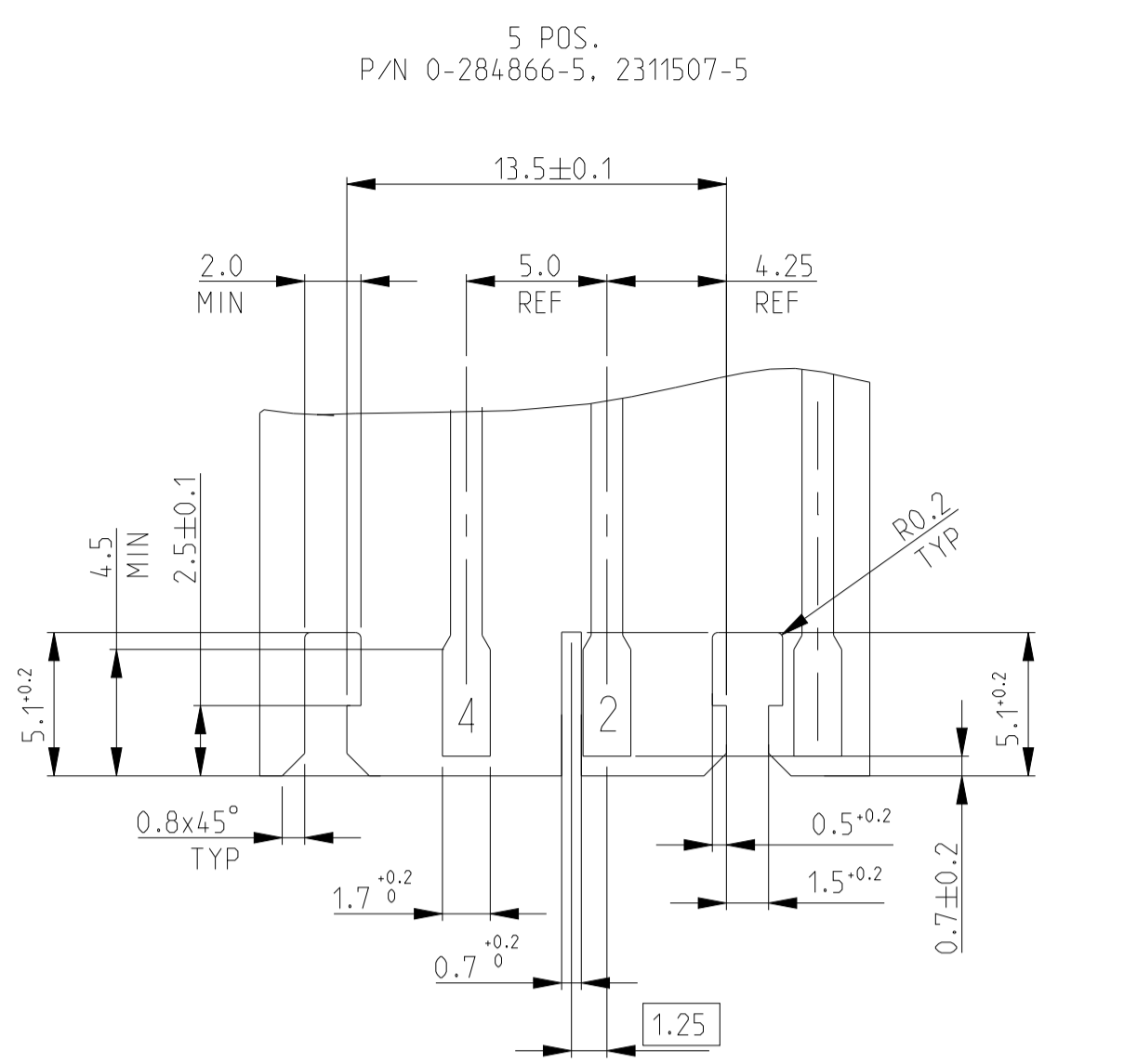
# PCB LAYOUT -Soldering side-

(SCALE 4:1)

REVISIONS				
P	LTN	DESCRIPTION	DATE	OWN APVD
-	-	SEE SHEET 1	-	-

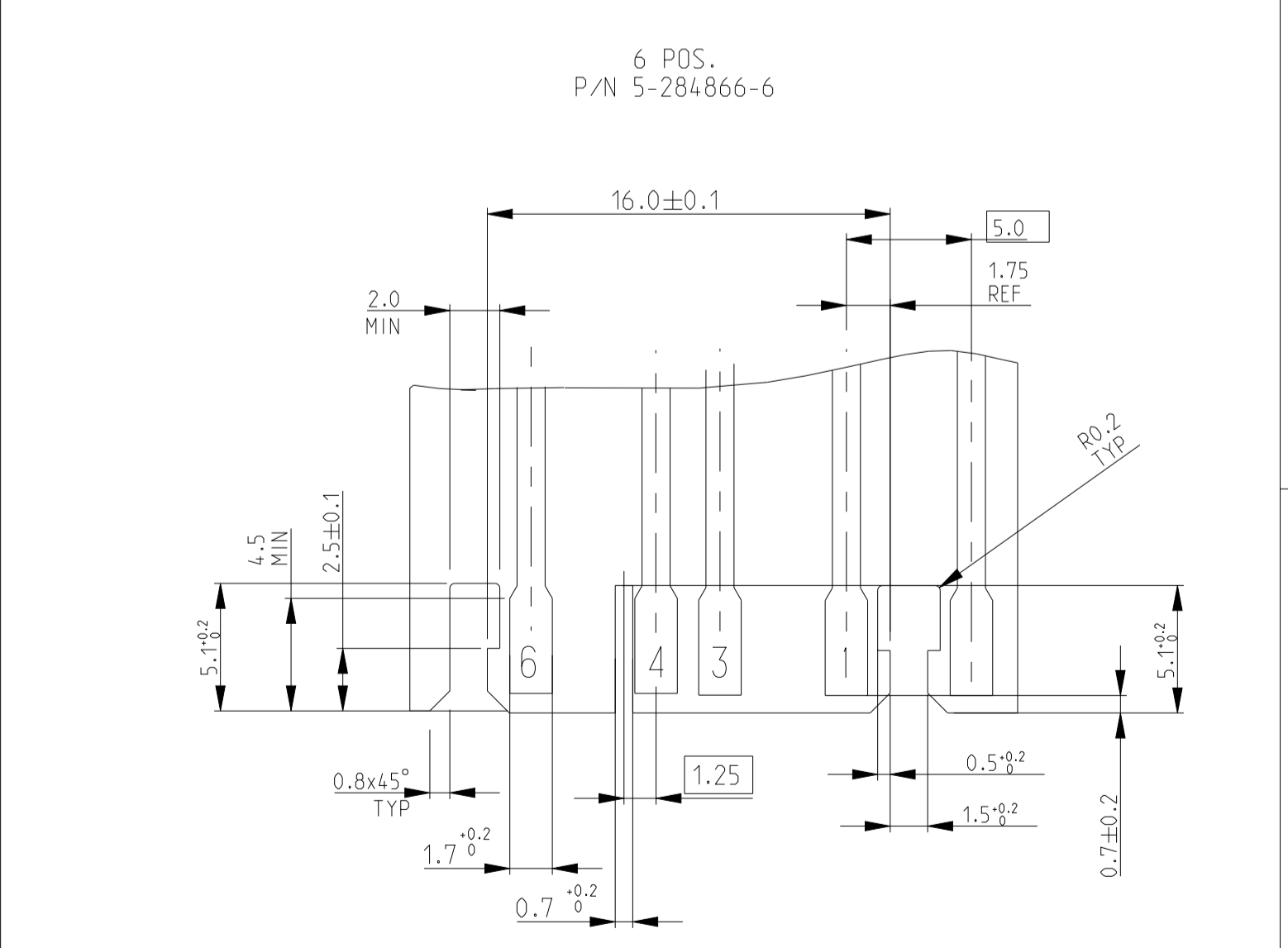
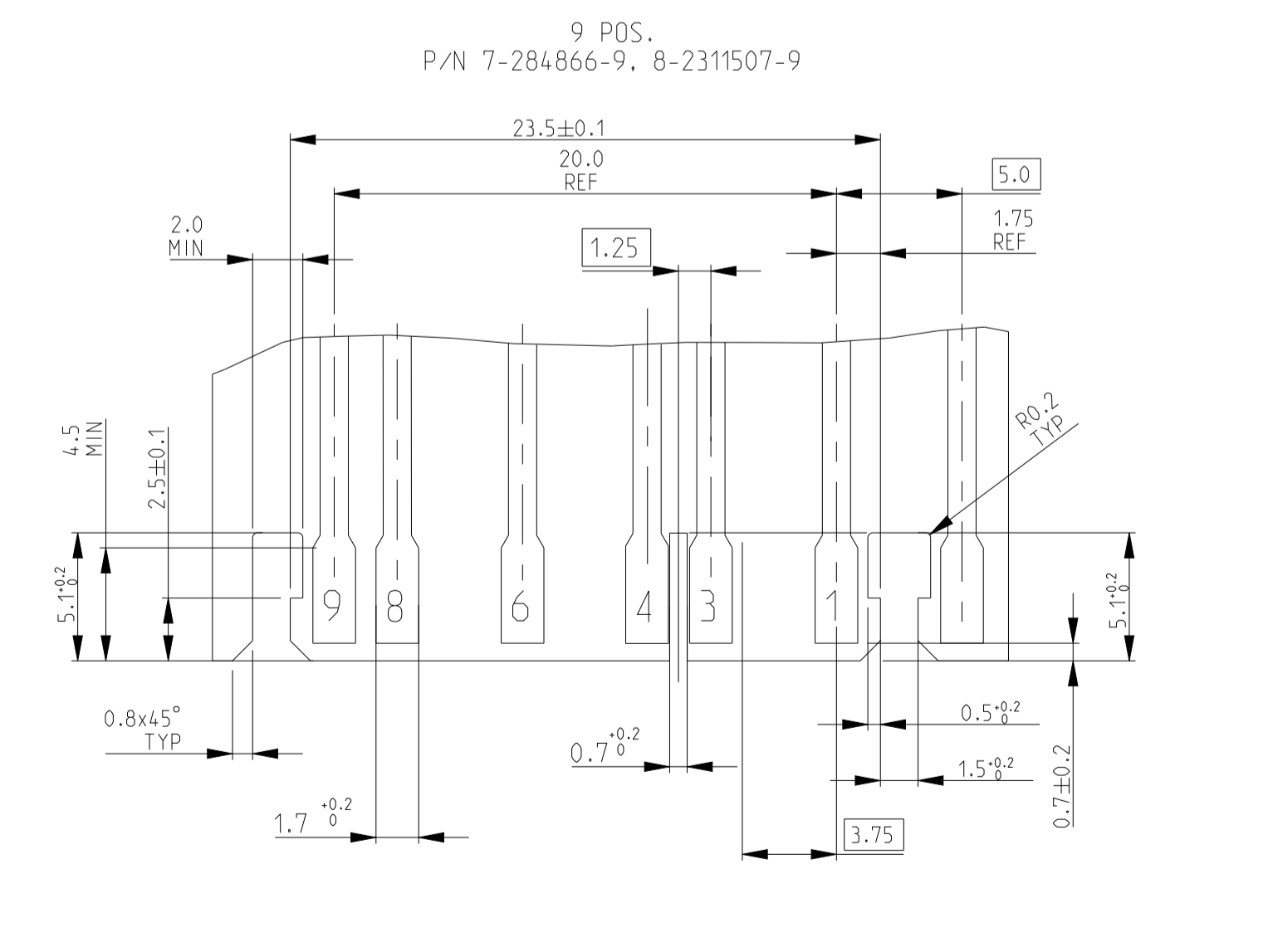
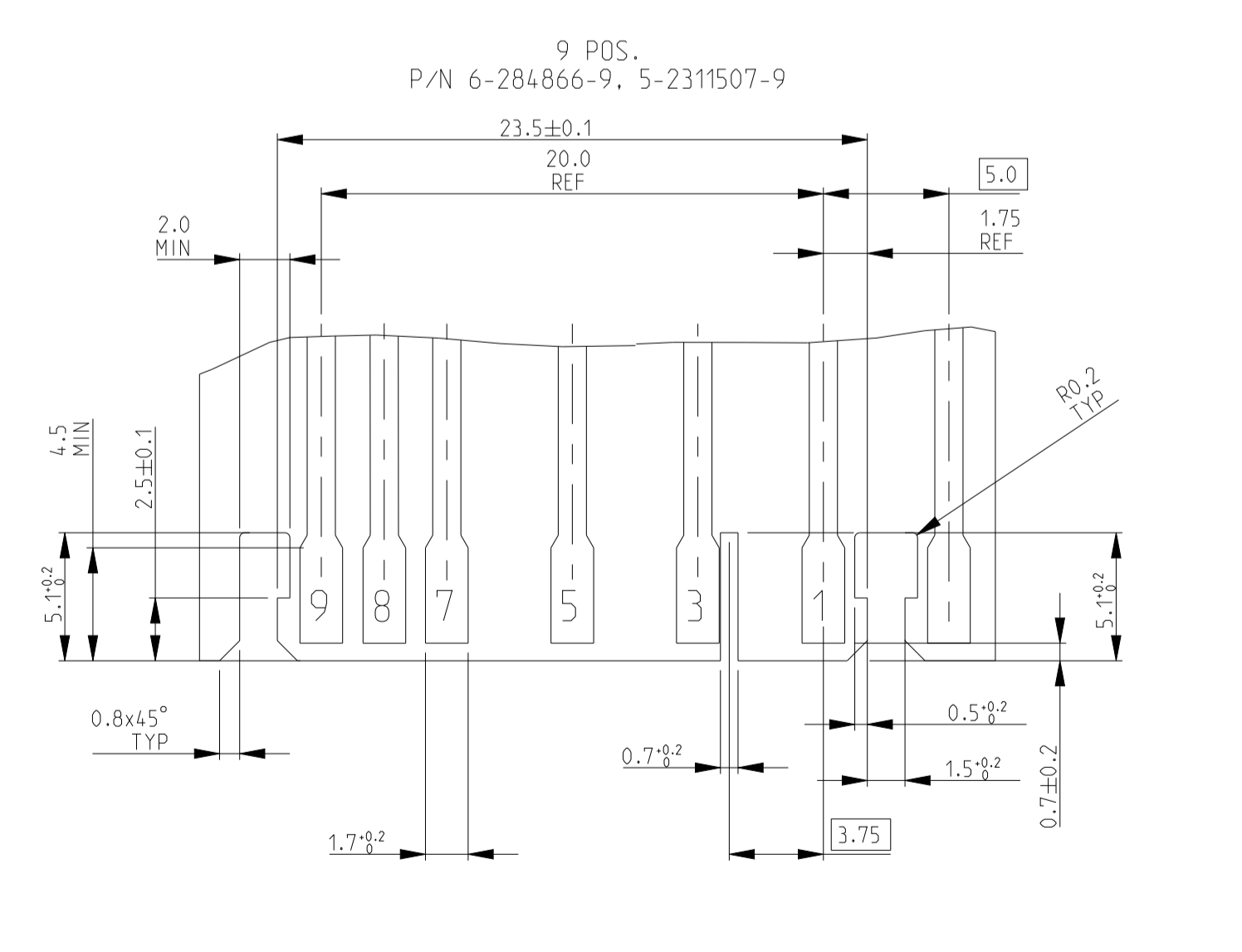
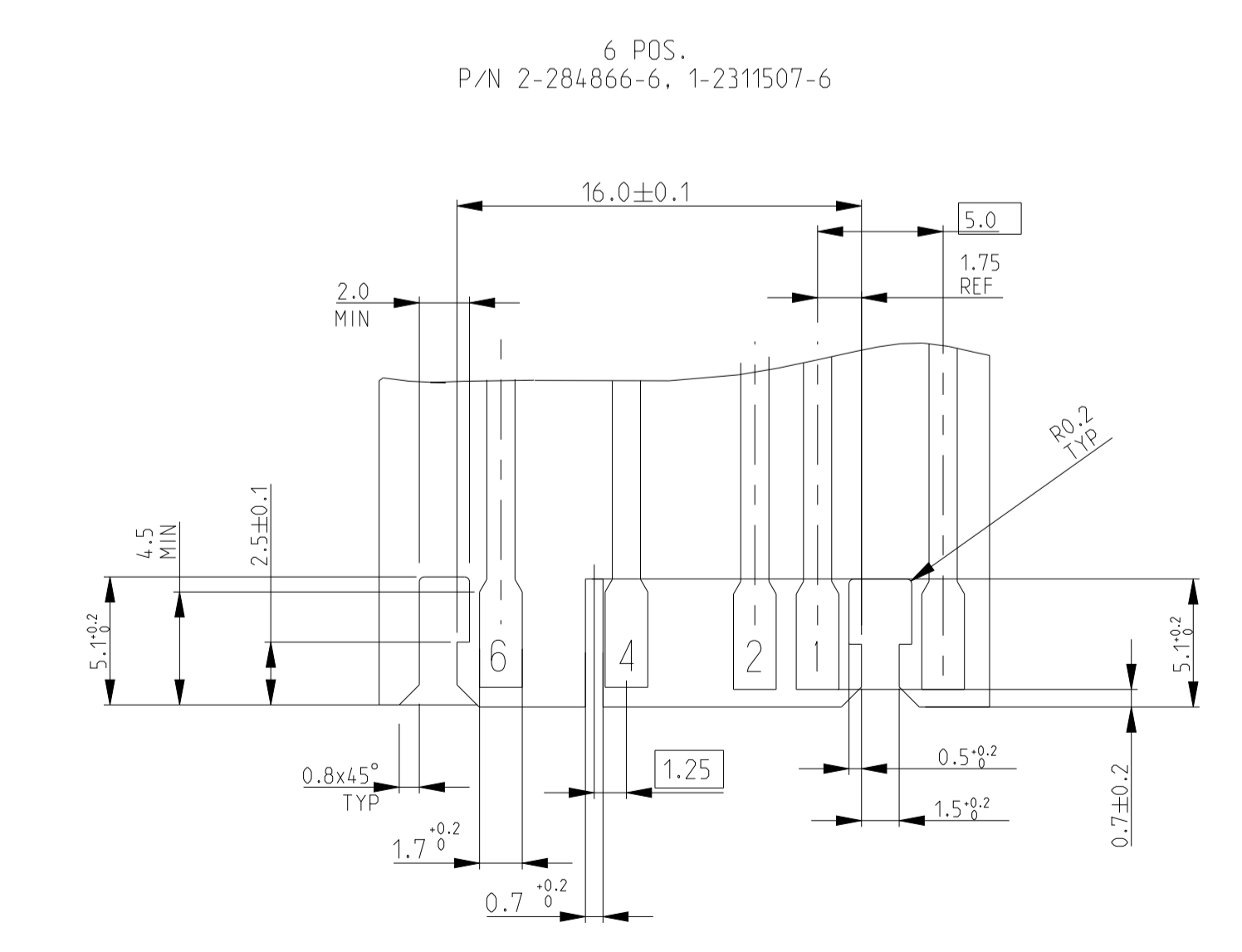
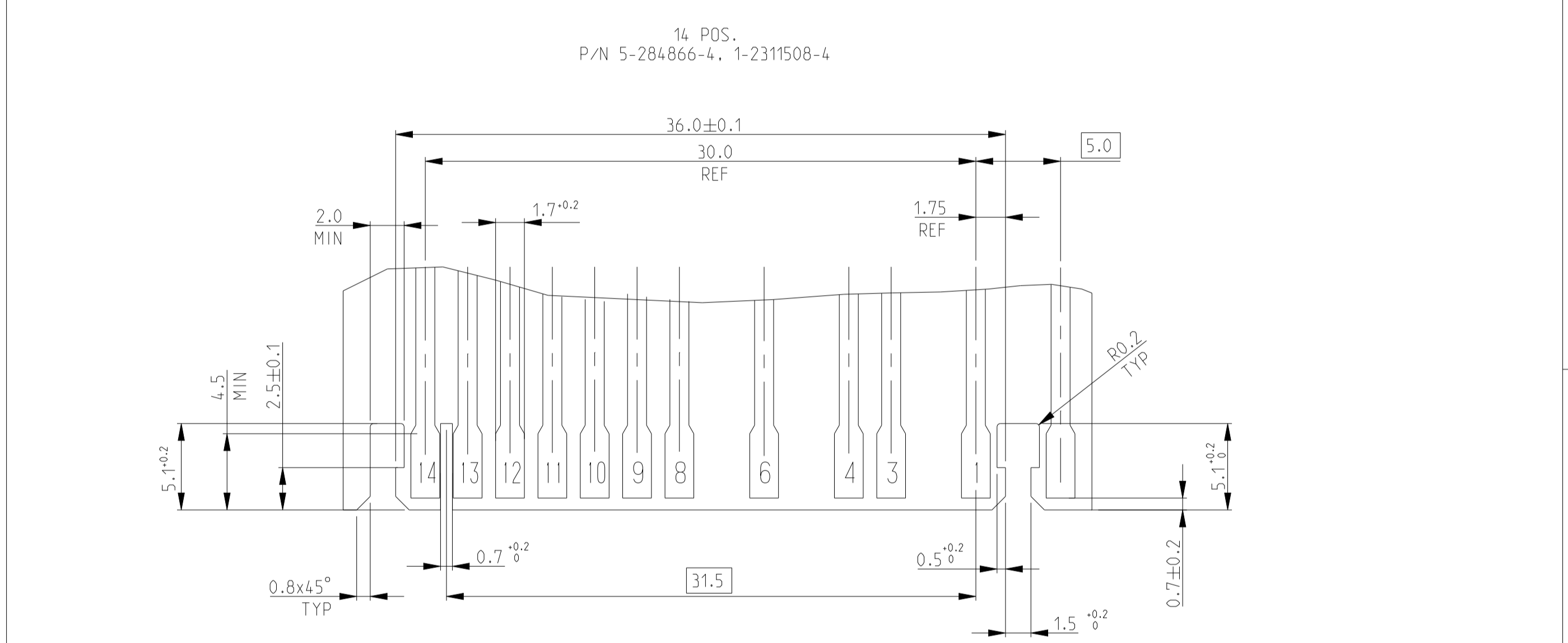
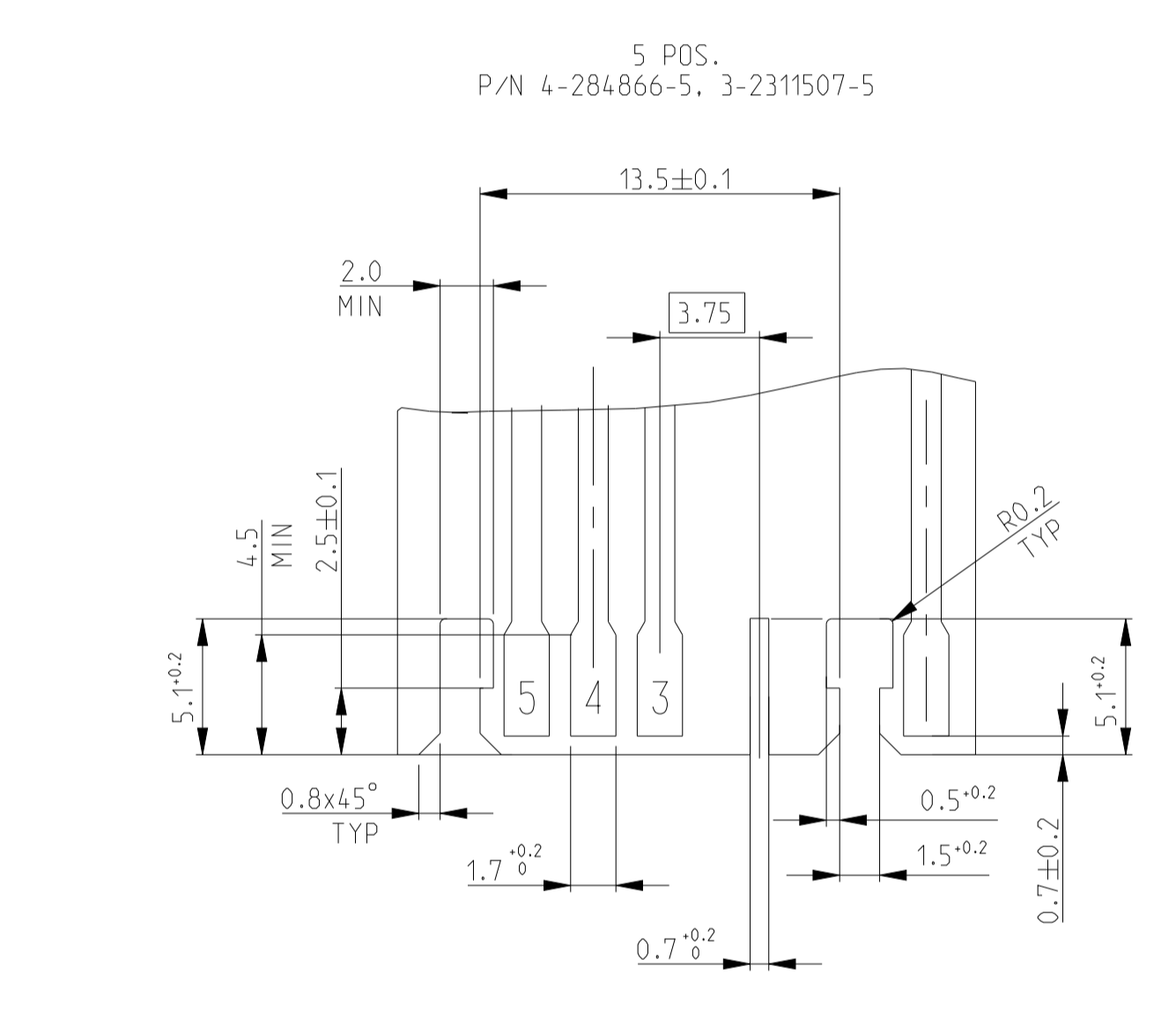
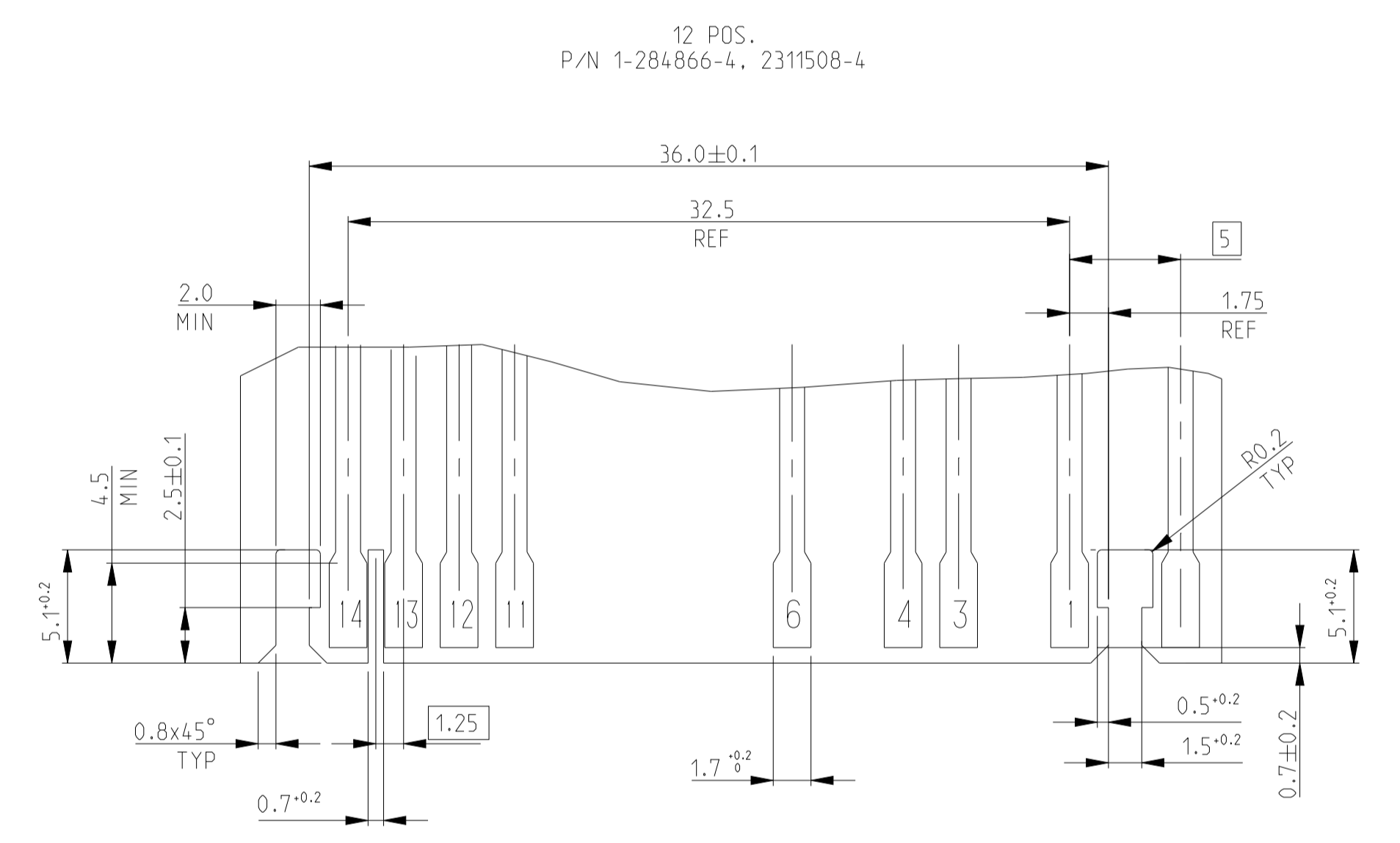


THIS DRAWING IS A CONTROLLED DOCUMENT.		OWN: R. FABRIS	03JUL2002
DIMENSIONS: mm		CHK: -	
TOLERANCES UNLESS OTHERWISE SPECIFIED:		APVD: TURCO	NAME: DUOPLUG 2.5 FEMALE CONN., SIDE LOCKING, KEYED (SELECTIVELY LOADED CONTACTS)
MATERIAL: SEE TABLE		FINISH: -	SIZE: 108-20238
SEE TABLE		WEIGHT: -	APPLICATION SPEC: 116-18049-1
SEE TABLE		CUSTOMER DRAWING	RESTRICTED TO: A1 00779 ©=284866
SCALE: 6:1		SHEET: 2 OF 5	REV: 02



REVISIONS				
P.	LTN.	DESCRIPTION	DATE	APPV.
-	-	SEE SHEET 1	-	-

CONNECTION LAYOUT  
 E.G P/N 0-284865-4  
 (SCALE 4:1)

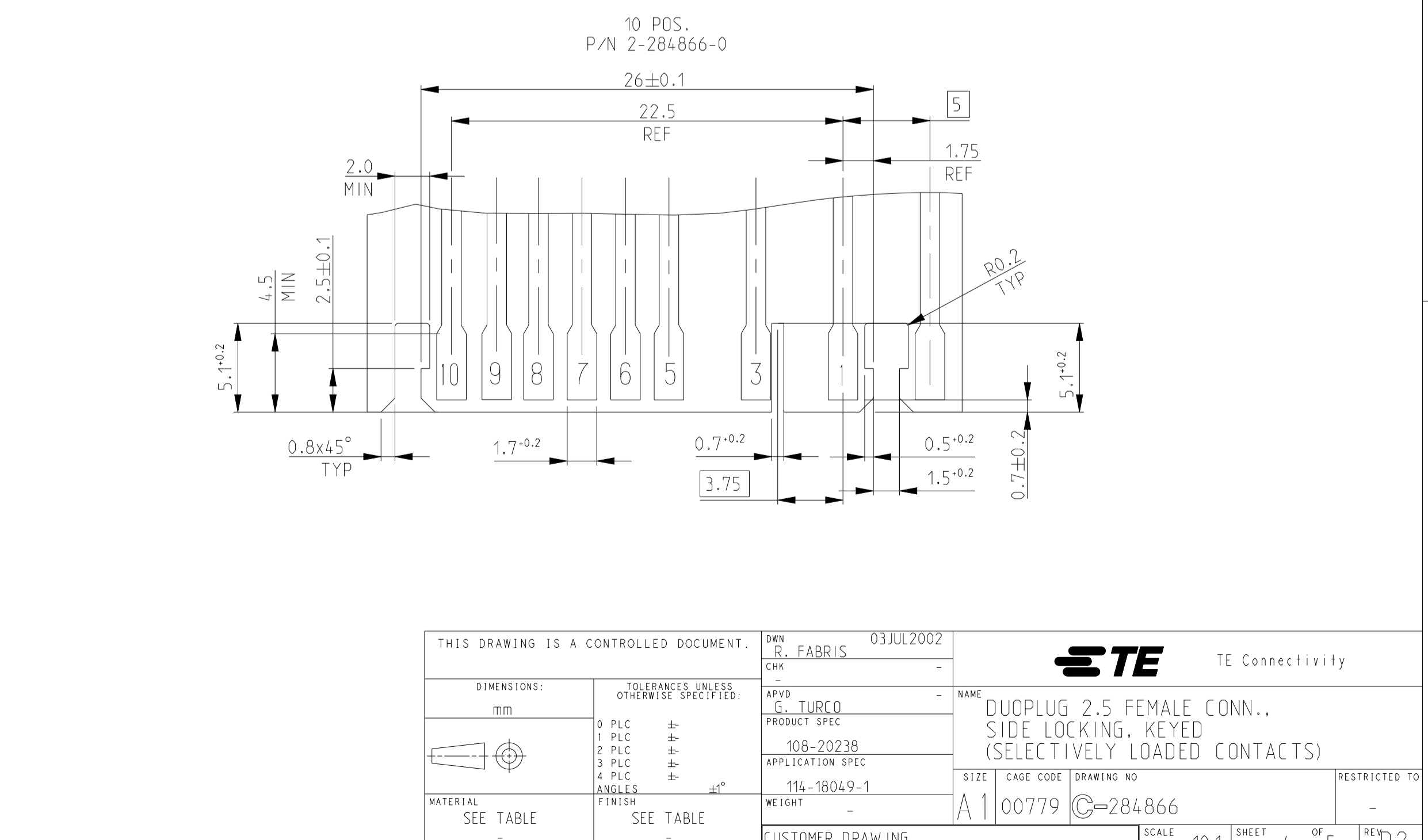
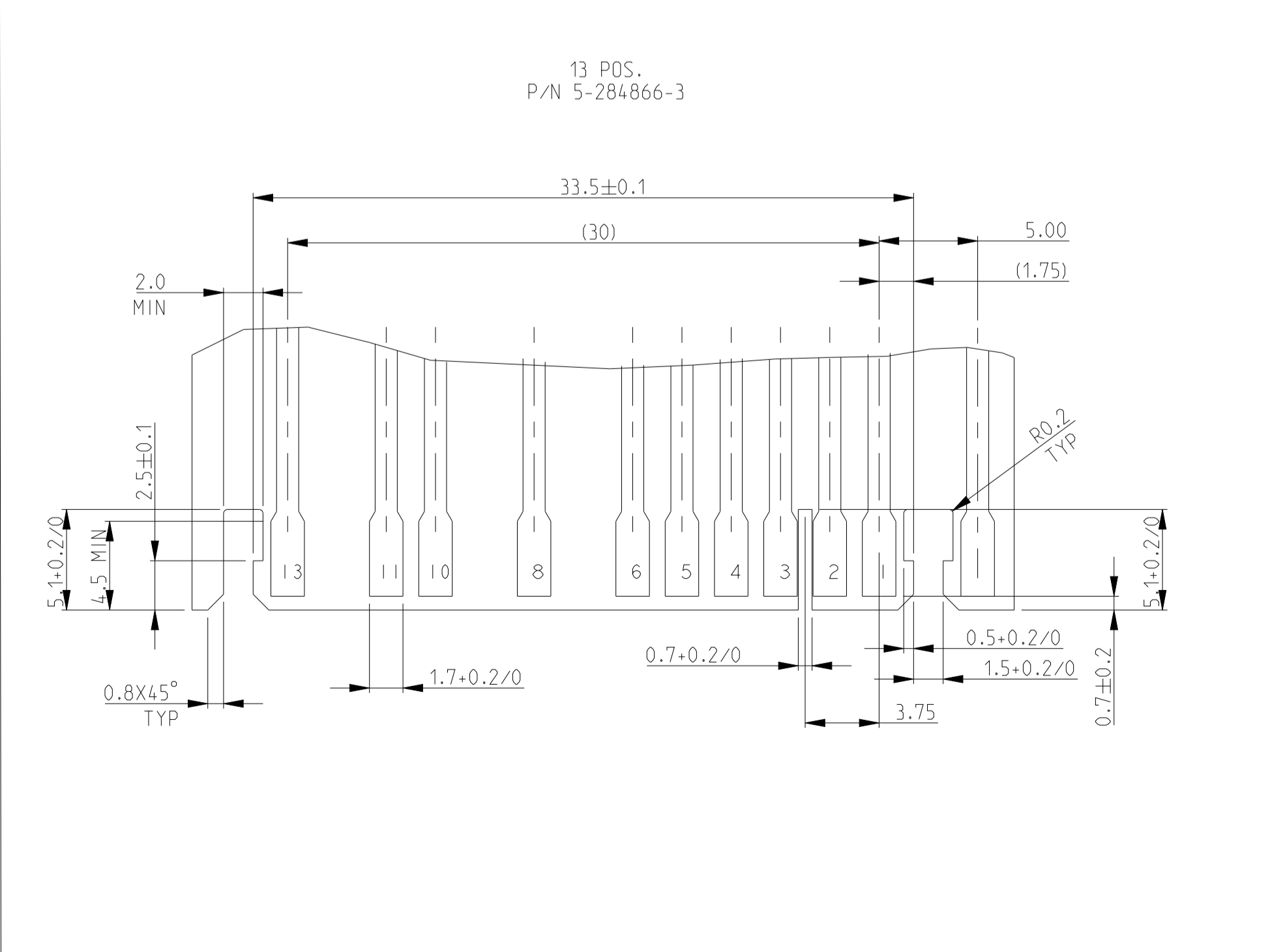
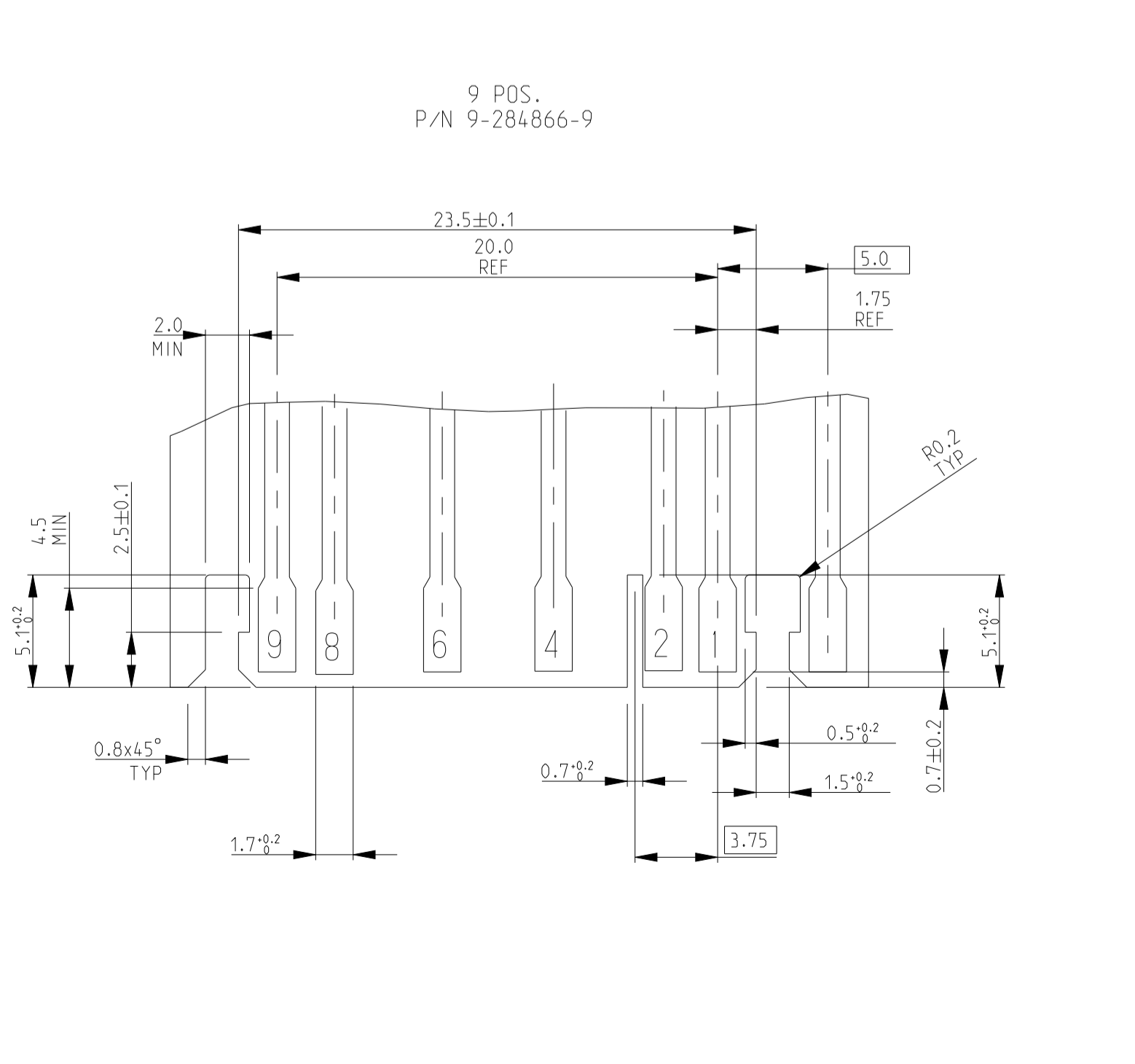
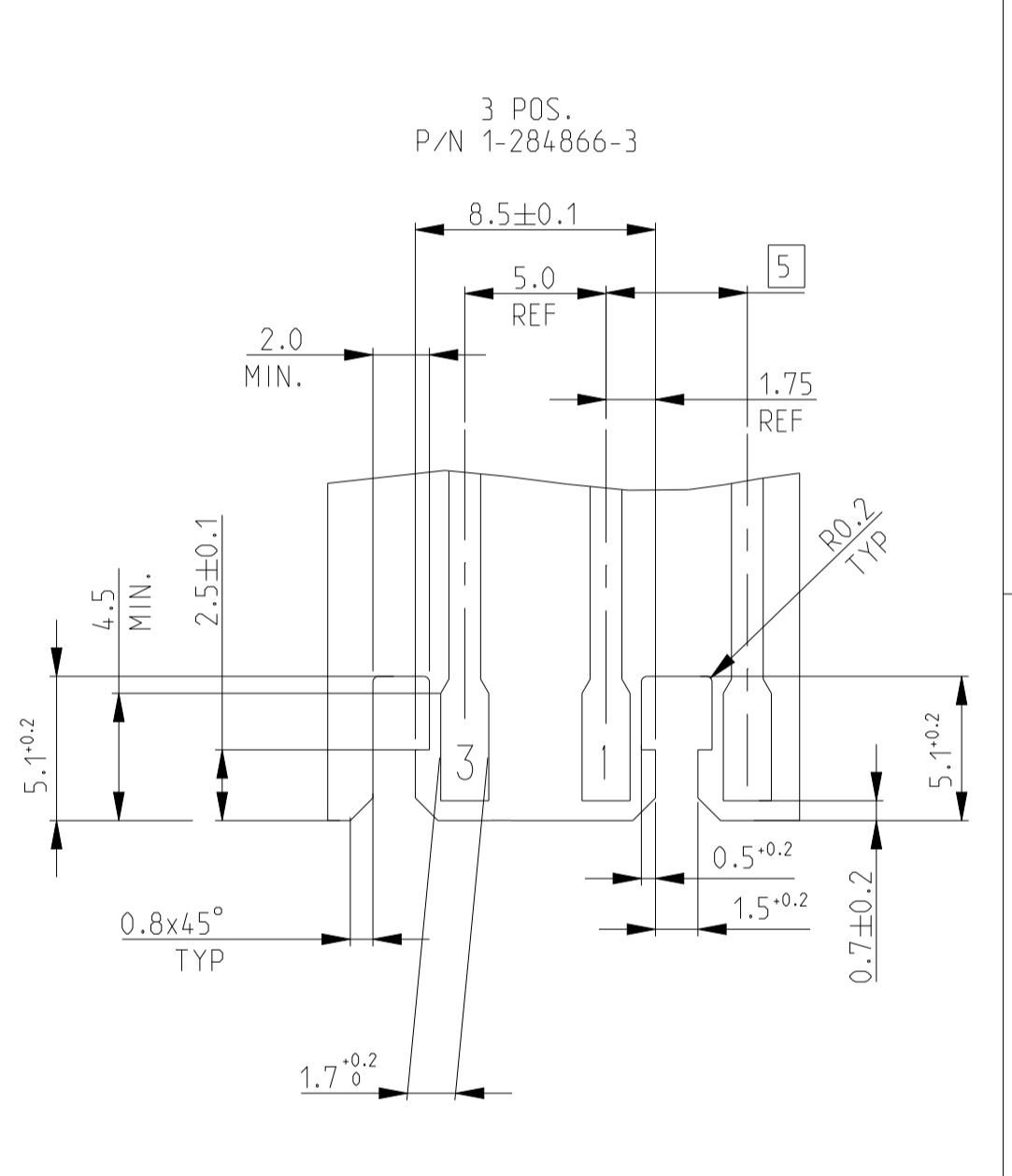
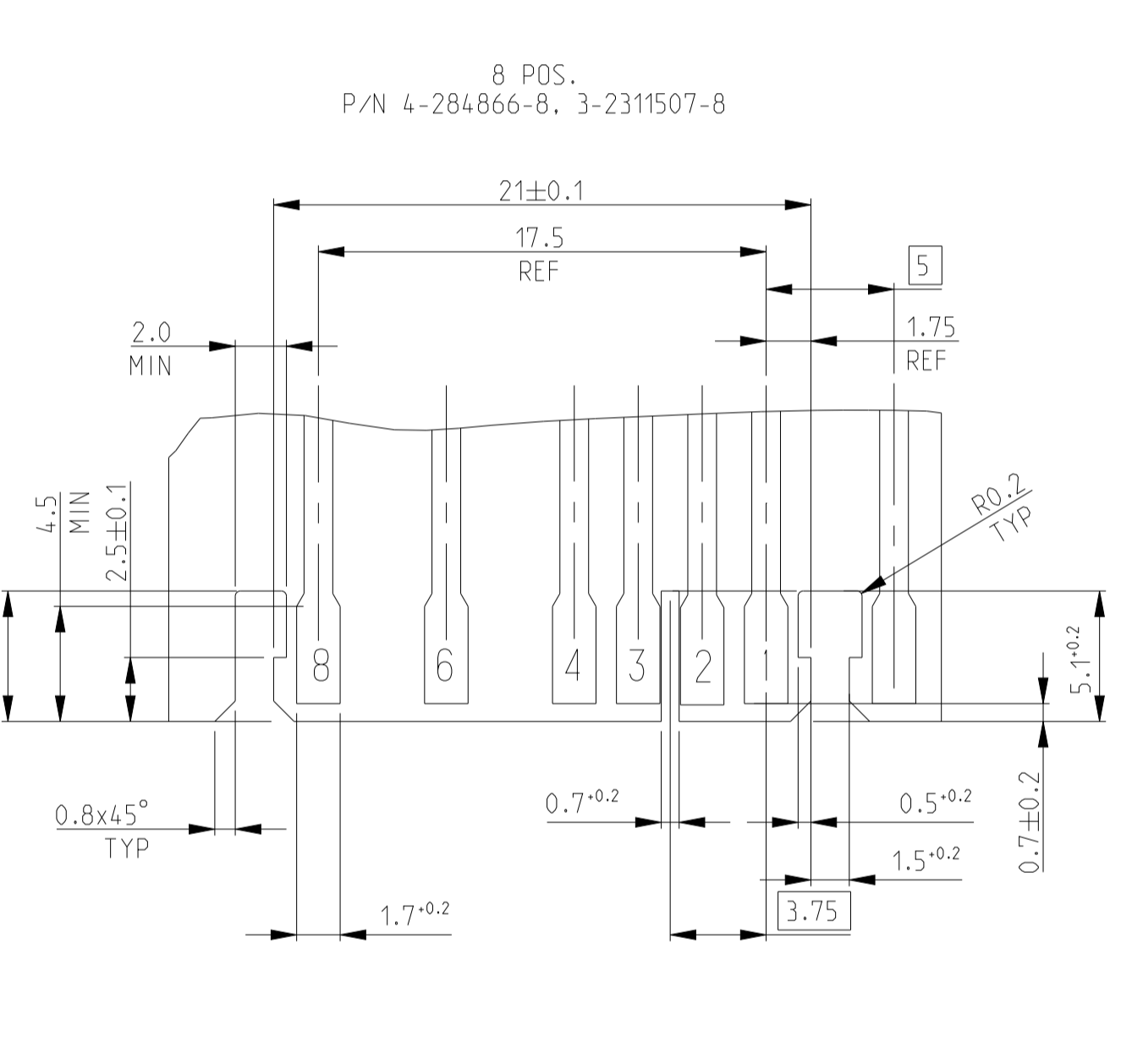
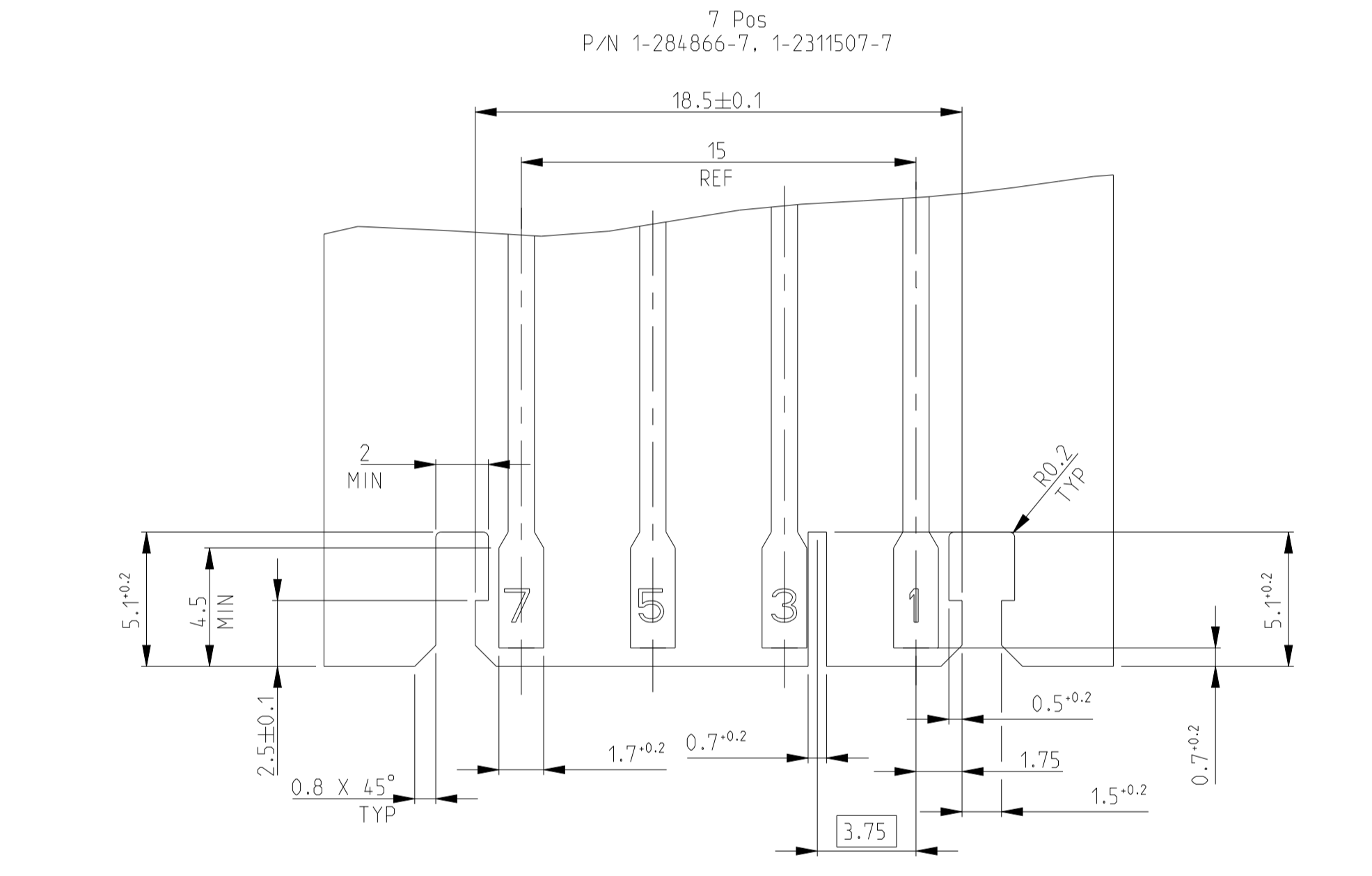
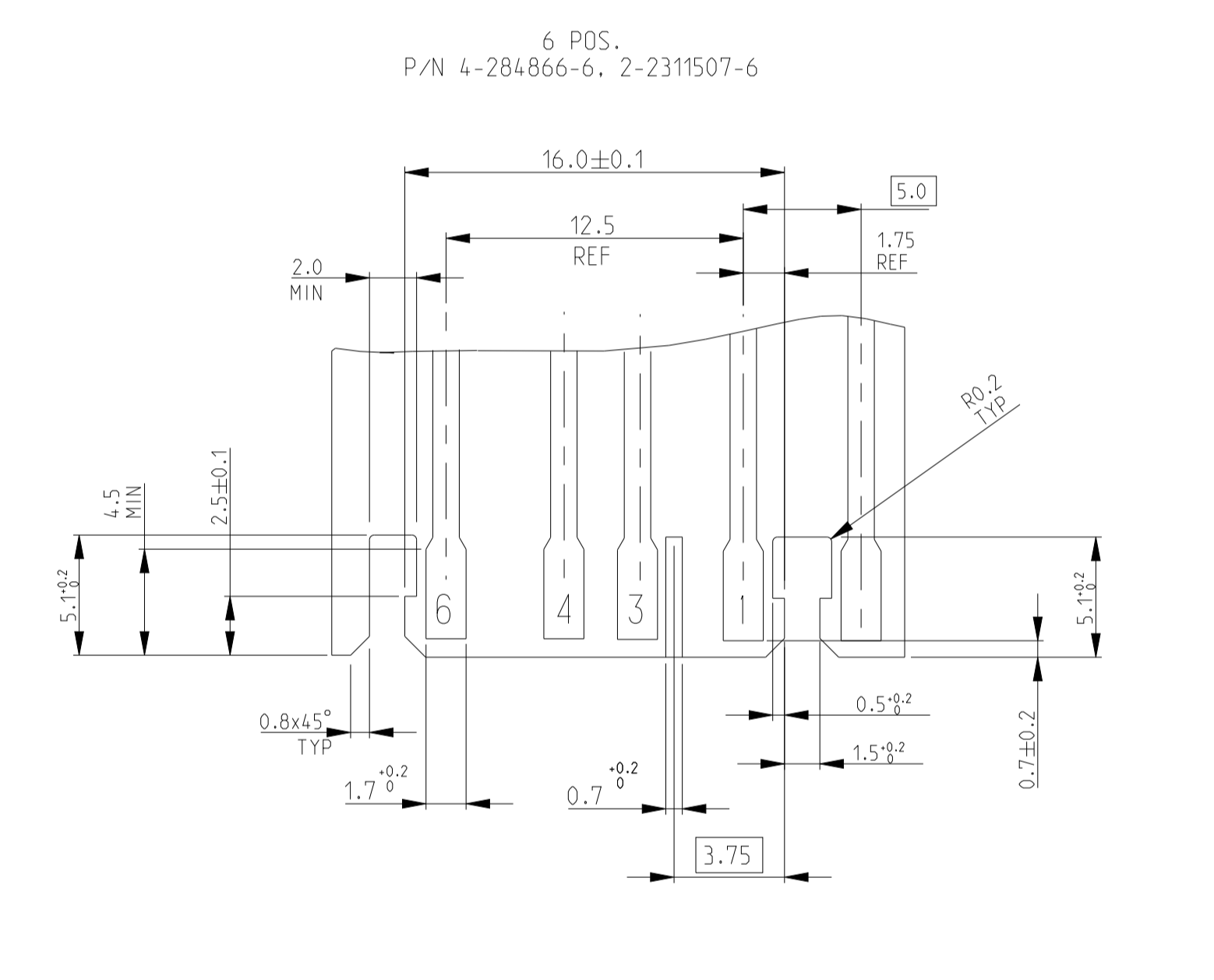
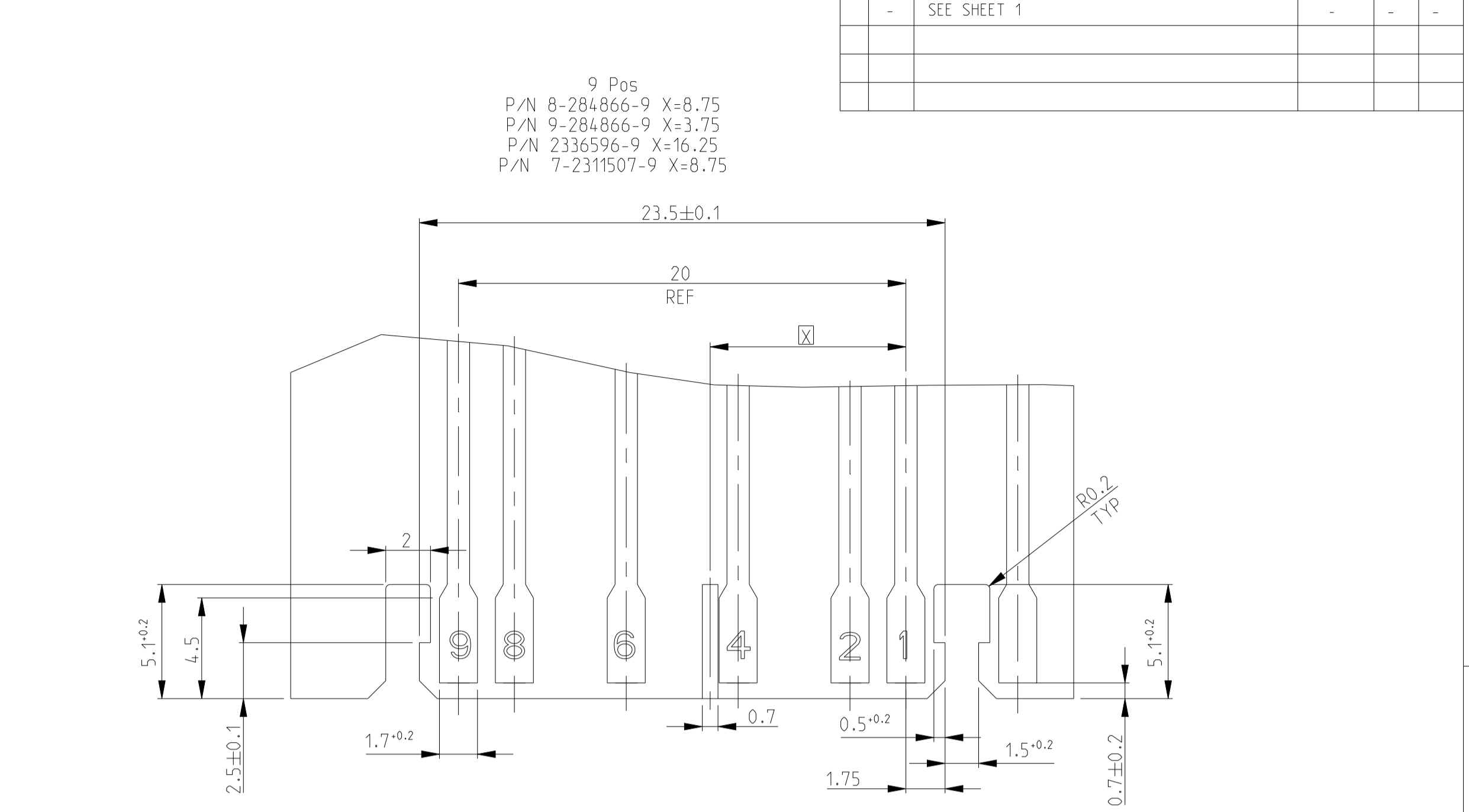
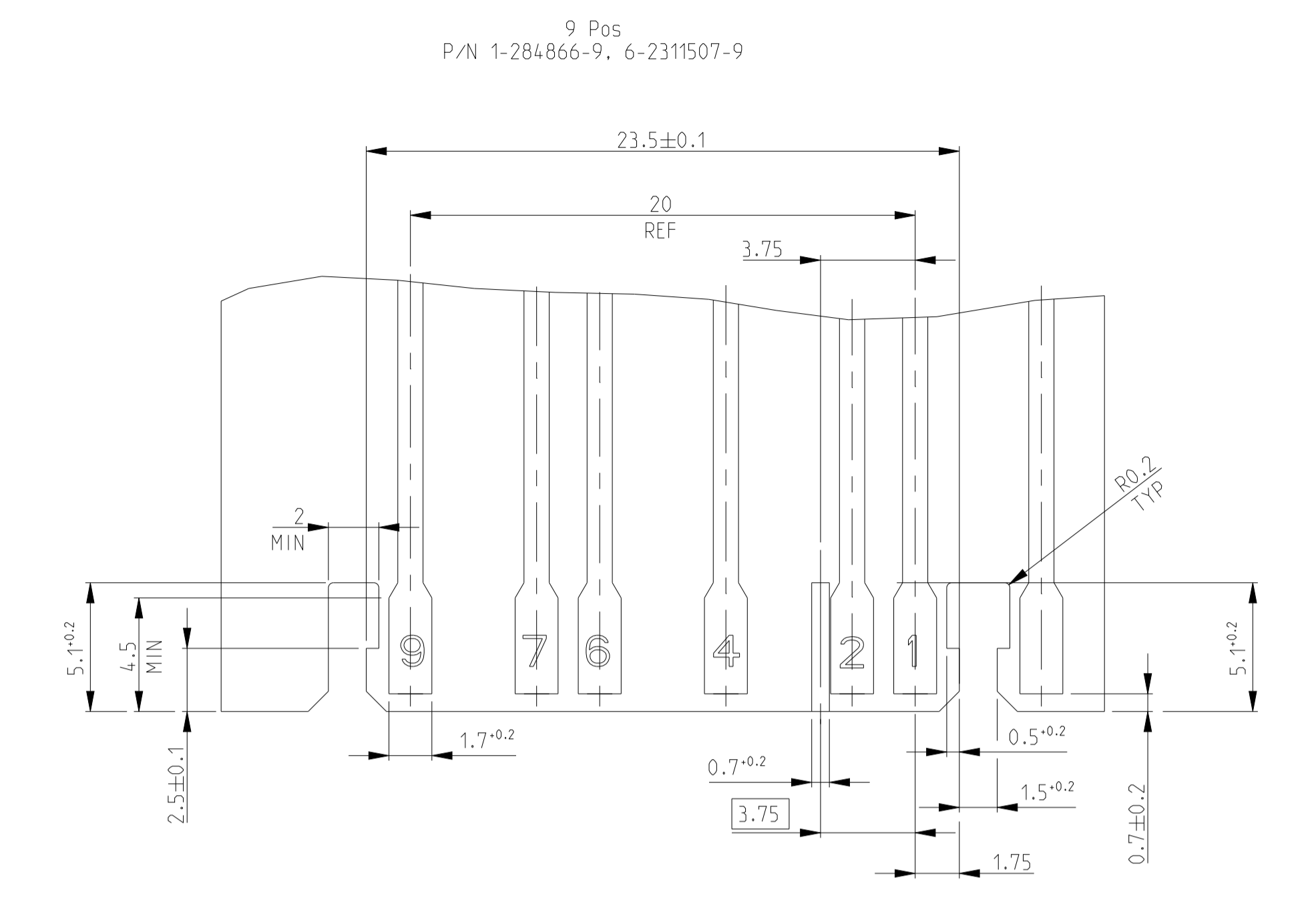
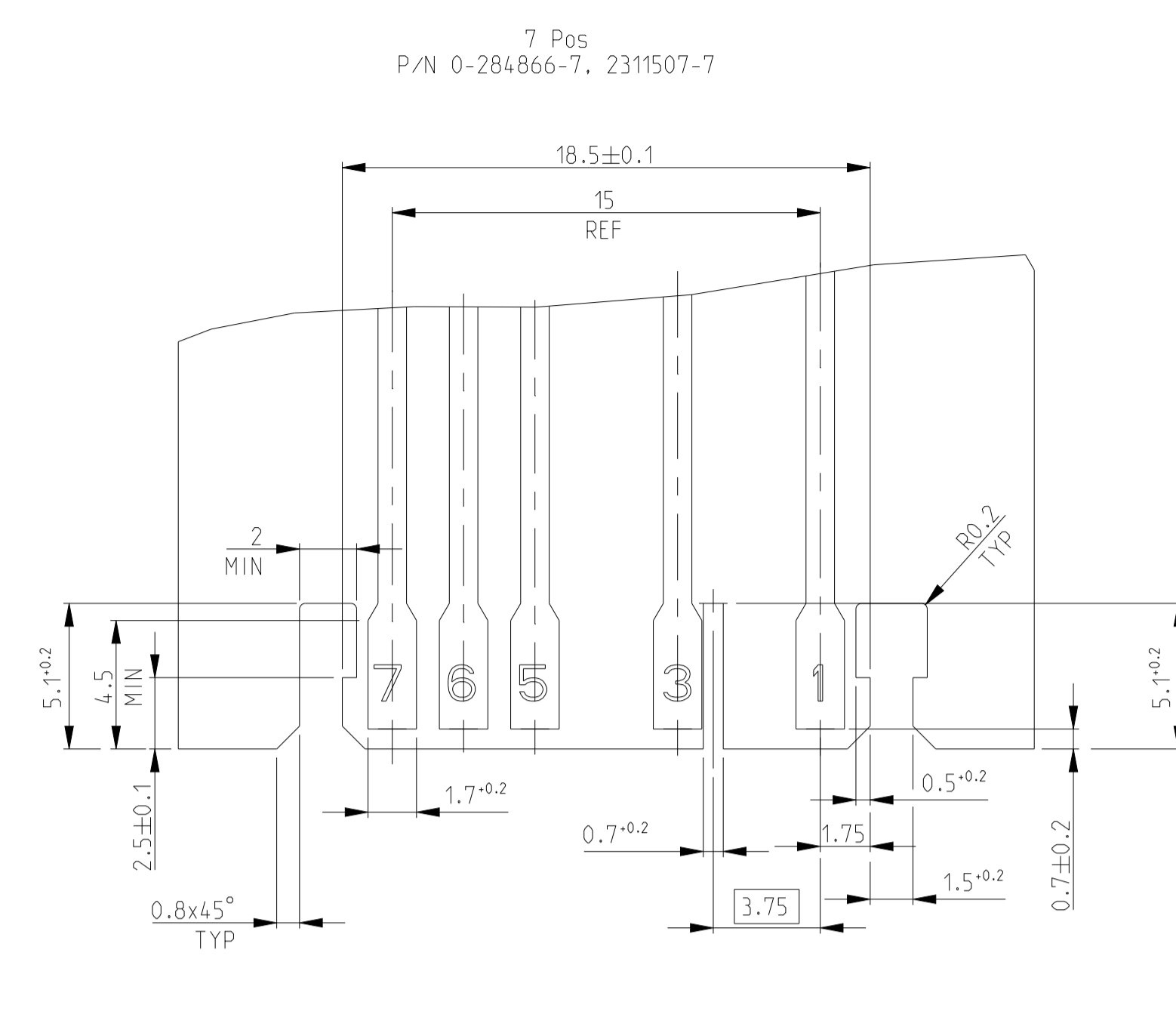


THIS DRAWING IS A CONTROLLED DOCUMENT.		OWN: R. FABRIS	03JUL2002
DIMENSIONS: mm		CHK: -	
TOLERANCES UNLESS OTHERWISE SPECIFIED:		APV: -	
0 PLC		PRODUCT SPEC	
1 PLC		108-20238	
2 PLC		APPLICATION SPEC	
3 PLC		116-18049-1	
4 PLC		WEIGHT	
ANGLES		FINISH	
MATERIAL: SEE TABLE		CUSTOMER DRAWING	
SEE TABLE		SIZE: A1	00779
		CAGE CODE	284866
		DRAWING NO.	3
		SHEET	5
		OF	5
		REV	02
		SCALE	6:1



NAME: DUOPLUG 2.5 FEMALE CONN., SIDE LOCKING, KEYED (SELECTIVELY LOADED CONTACTS)

REVISIONS				
P	LTN	DESCRIPTION	DATE	OWN APVD
-	-	SEE SHEET 1	-	-



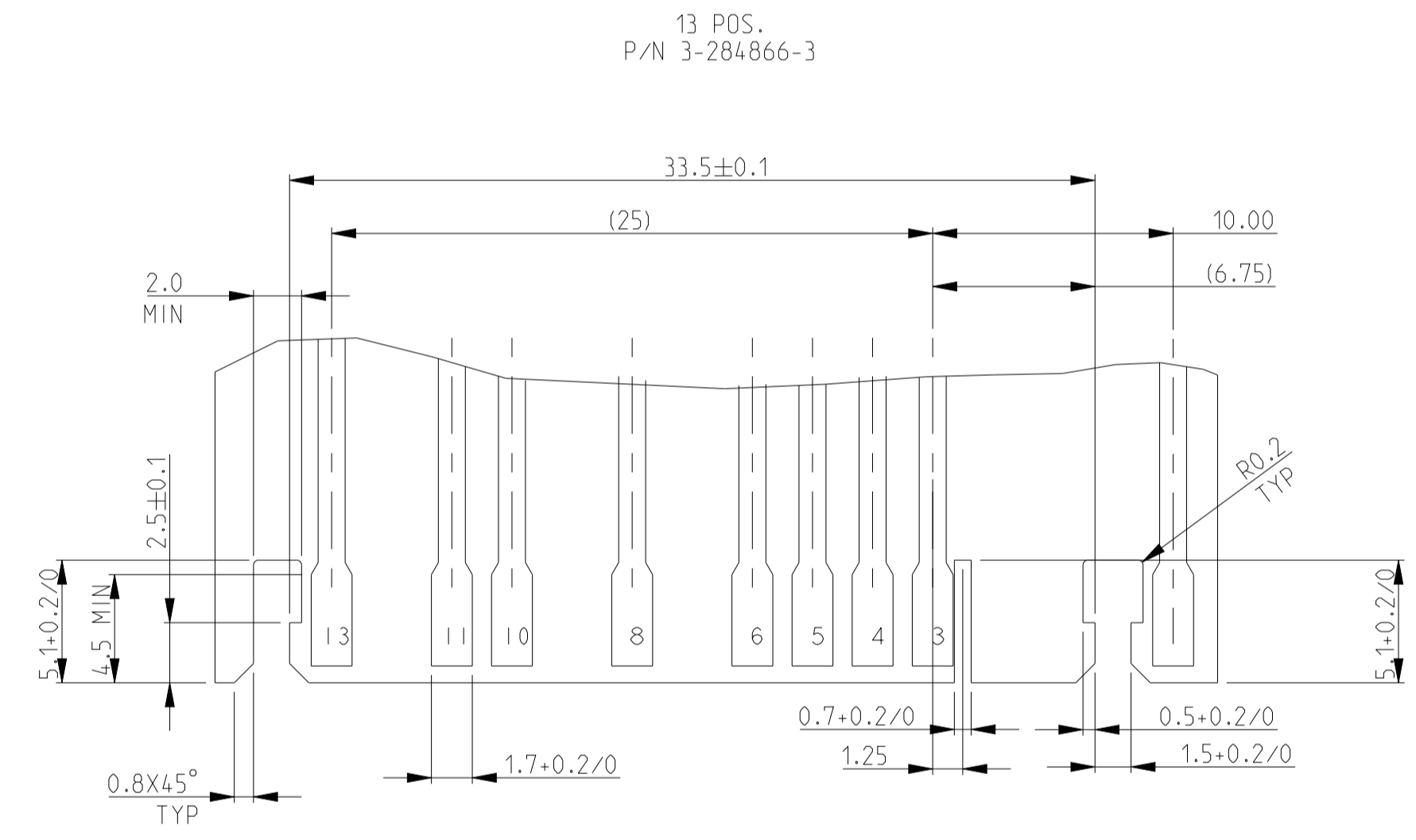
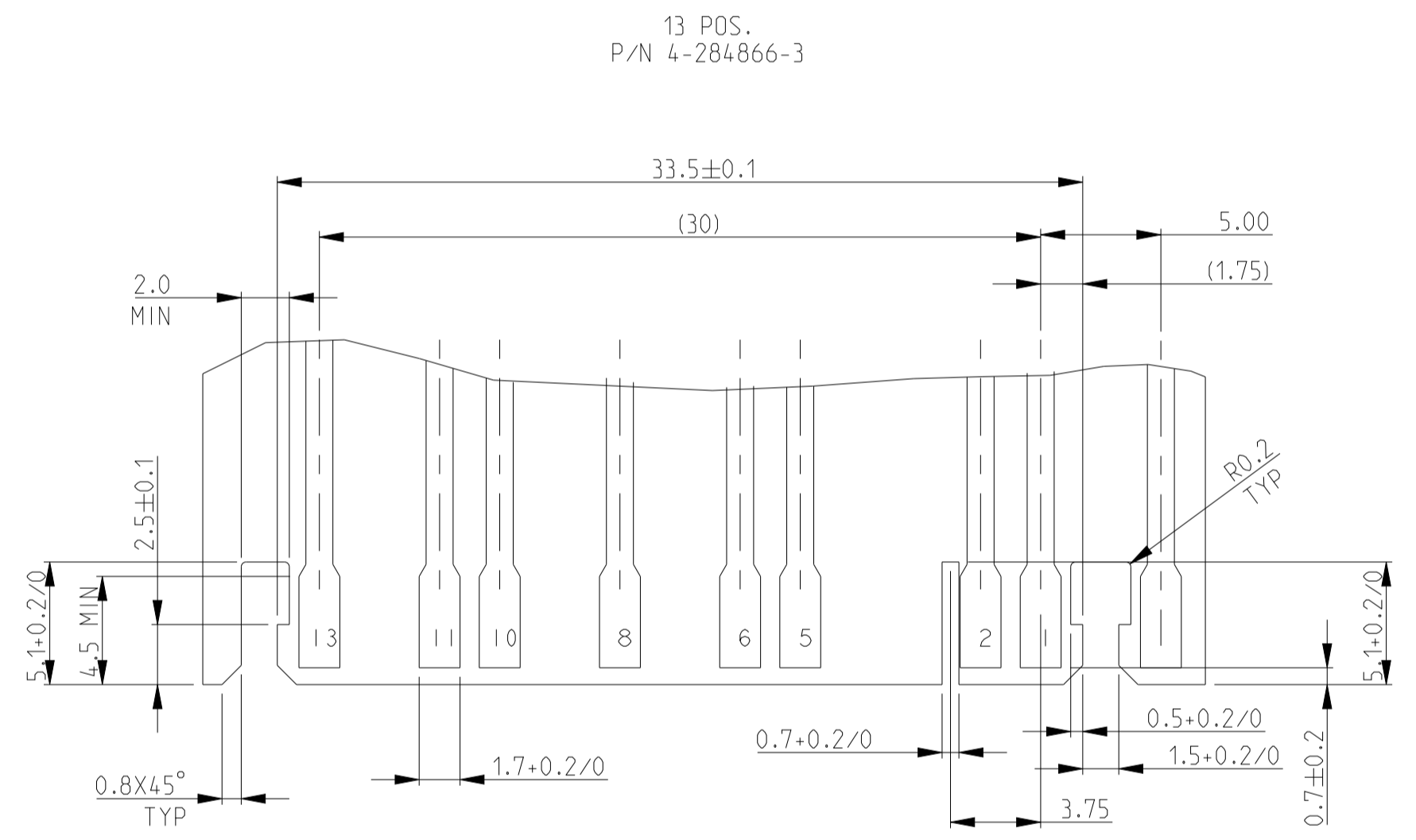
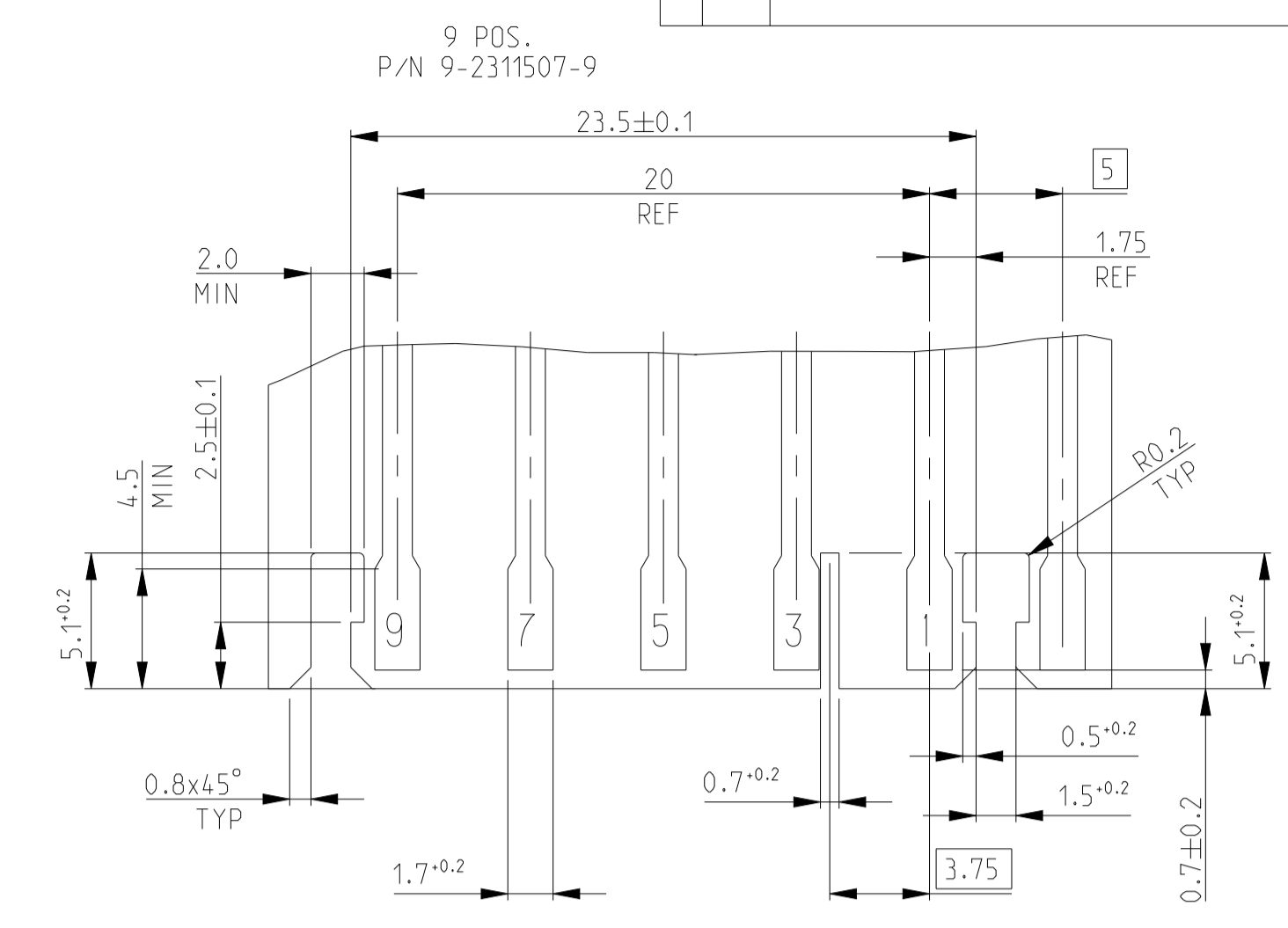
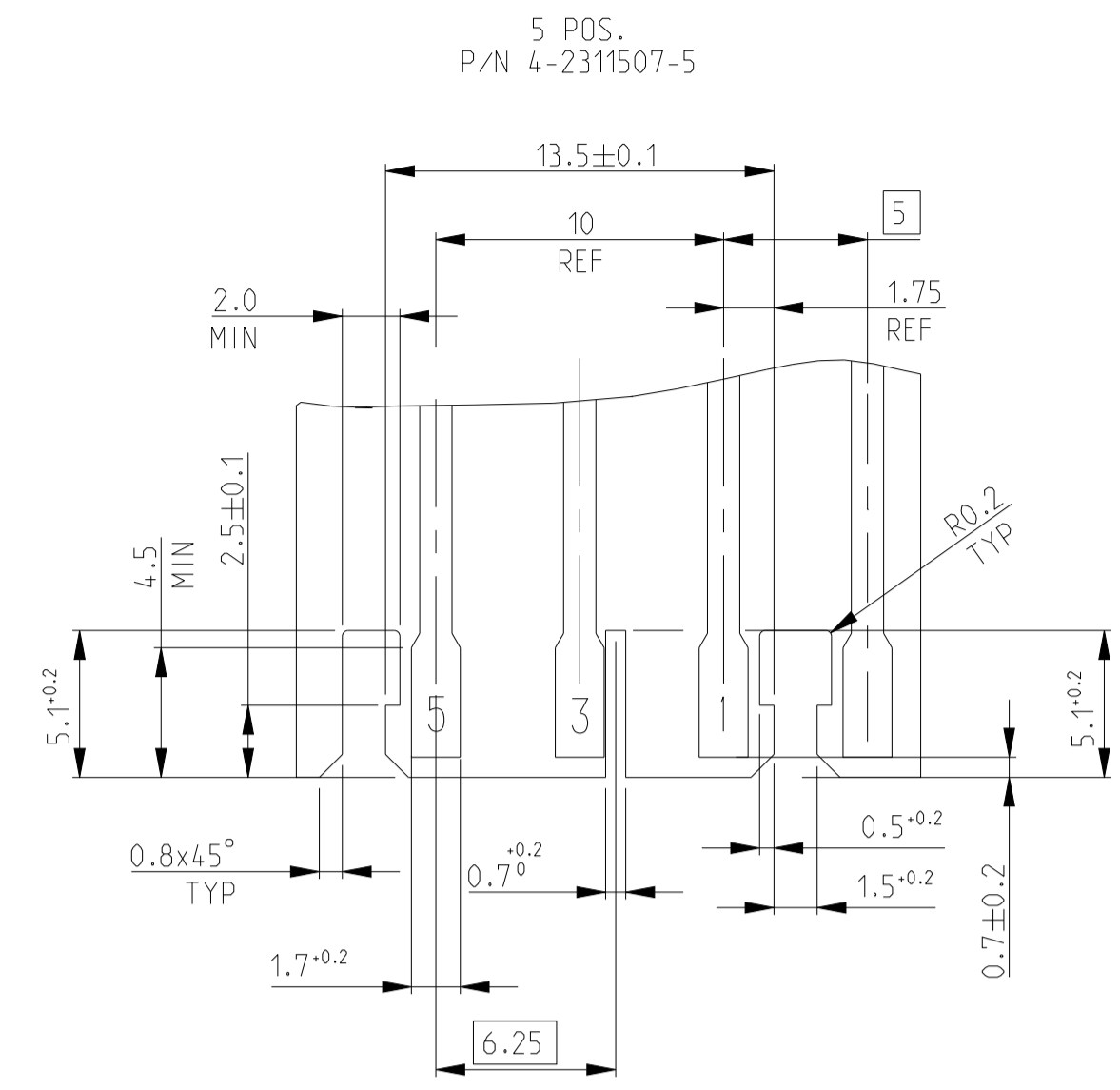
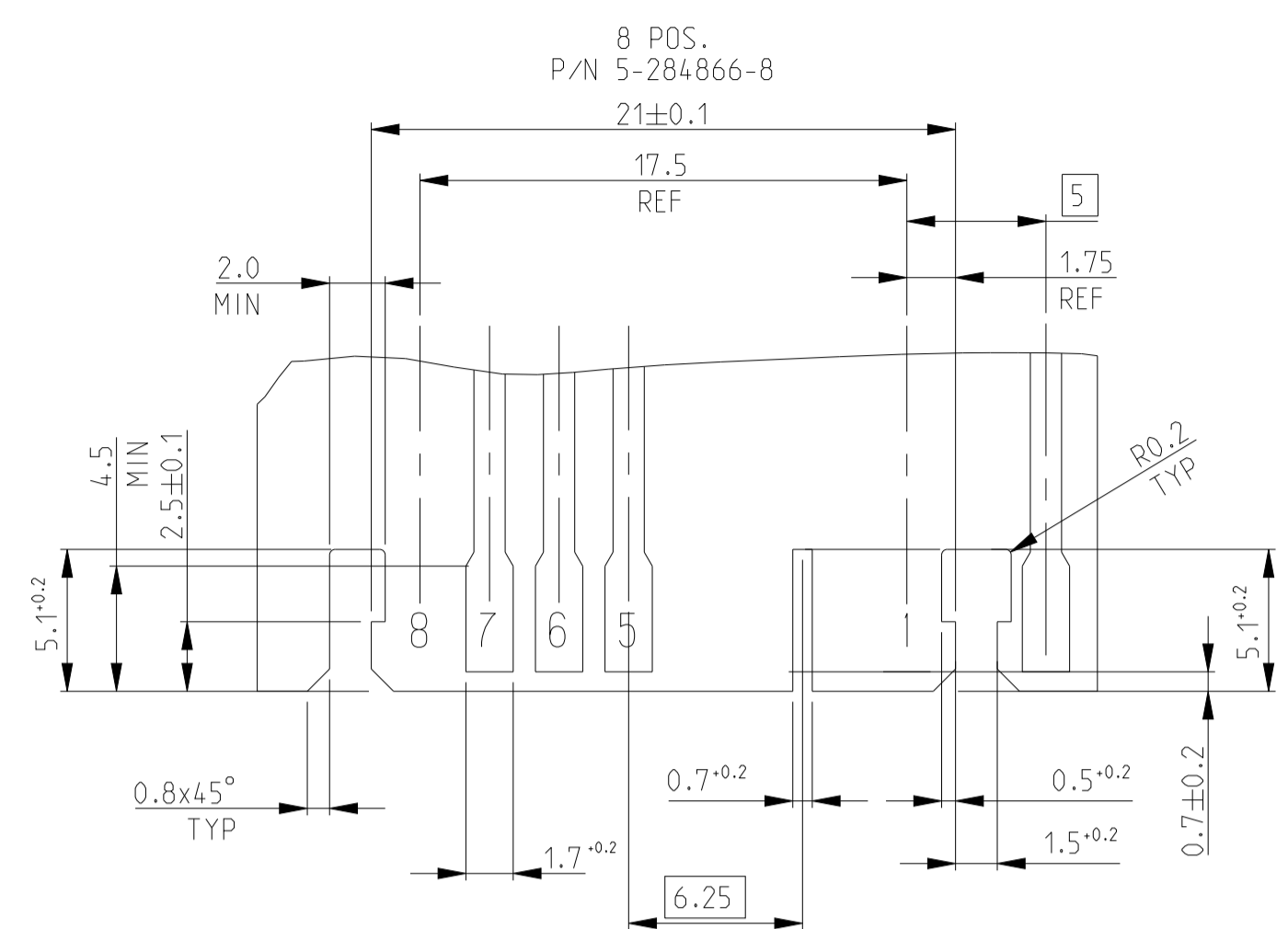
THIS DRAWING IS A CONTROLLED DOCUMENT. OWN: R. FABRIS 03JUL2002  
 CHK: -  
 DIMENSIONS: mm  
 TOLERANCES UNLESS OTHERWISE SPECIFIED:  
 0 PLC # # #  
 1 PLC # # #  
 2 PLC # # #  
 3 PLC # # #  
 4 PLC # # #  
 ANGLES # # #  
 MATERIAL: SEE TABLE  
 FINISH: SEE TABLE

APVD: S. TURCO  
 PRODUCT SPEC: 108-20238  
 APPLICATION SPEC: 116-18049-1  
 WEIGHT: -  
 CUSTOMER DRAWING

NAME: DUOPLUG 2.5 FEMALE CONN., SIDE LOCKING, KEYED (SELECTIVELY LOADED CONTACTS)  
 SIZE: CAGE CODE DRAWING NO: A1 00779  
 RESTRICTED TO: -

SCALE: 10:1 SHEET: 4 OF 5 REV: 02

REVISIONS				
P	LTN	DESCRIPTION	DATE	APVD
-	-	SEE SHEET 1	-	-



THIS DRAWING IS A CONTROLLED DOCUMENT. DWN R. FABRIS 03JUL2002

STE TE Connectivity

NAME: DUOPLUG 2.5 FEMALE CONN., SIDE LOCKING, KEYED (SELECTIVELY LOADED CONTACTS)

PRODUCT SPEC: 108-20238

APPLICATION SPEC: 116-18049-1

SIZE: A1 CAGE CODE: 00779 DRAWING NO: C=284866

RESTRICTED TO: -

SCALE: 10:1 SHEET: 5 OF 5 REV: 02

MATERIAL: SEE TABLE TOLERANCES UNLESS OTHERWISE SPECIFIED: SEE TABLE

0 PLC	#
1 PLC	#
2 PLC	#
3 PLC	#
4 PLC	#
ANGLES	#
FINISH	#

CUSTOMER DRAWING