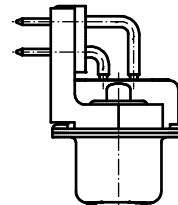
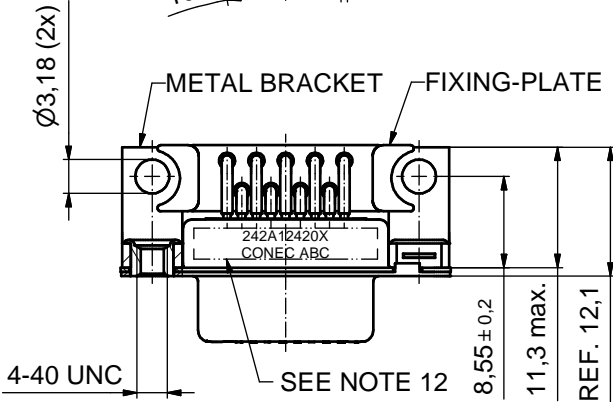
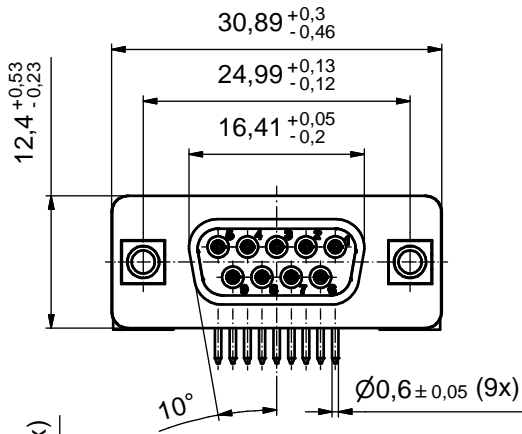
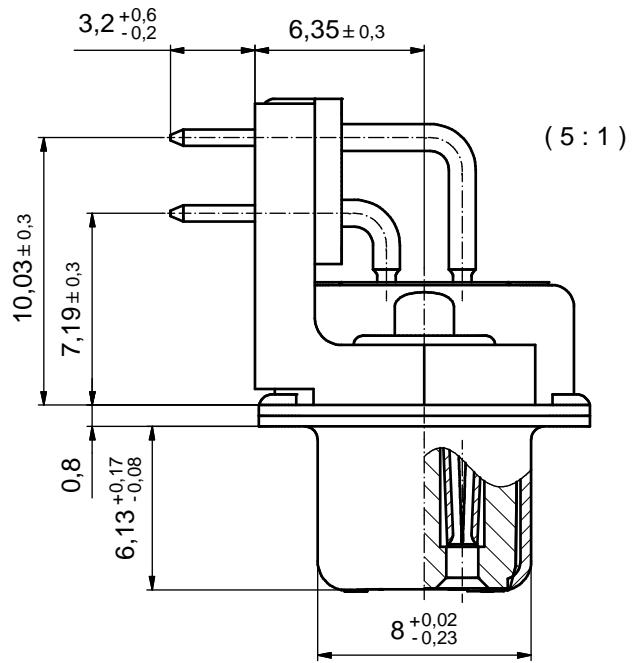
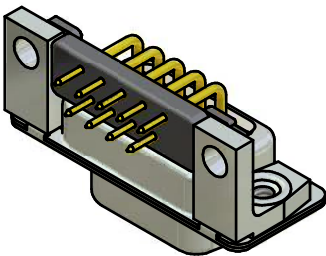


P.C.B. HOLE DRILLINGS  
(P.C.B. TOP SIDE)



NOTES:

1. RoHS COMPLIANT
2. FOR WAVESOLDERING (SOLDER BATH TEMPERATURE 260°C FOR 5 SEC. AND SOLDER PREHEAT 100°C FOR 30 SEC.)
3. METALSHELLS: STEEL; min. 315µin TIN over 40-80µin NICKEL
4. INSULATORS: HIGH TEMPERATURE PLASTIC UL 94 V-0, BLACK
5. CONTACTS: COPPER ALLOY  
PLATING: 8µin HARD GOLD over min. 50µin NICKEL  
CONTACT TAILS PRETINNED
6. METAL BRACKETS: ZINC DIE CAST; 300µin COPPER/40-120µin NICKEL/120-200µin TIN
7. THREADED INSERTS: COPPER ALLOY; min. 200µin TIN over 80µin NICKEL
8. FIXING-PLATE: HIGH TEMPERATURE PLASTIC UL 94 V-0; BLACK
9. CAPACITANCE: 830pF±20%
10. DIELECTRIC WITHSTANDING VOLTAGE: 424 VDC
11. MAXIMUM TORQUE VALUE FOR THREAD: 6 in.LB
12. CONNECTOR IS PART MARKED: 242A12420X CONEC ABC



Directive 2002/95/EC  
"RoHS"  
Compliant

|   |        |
|---|--------|
| APPROVAL # FREIGABE # DEBLOCAGE # AUTORIZACION # APPROVAL |        |
| CUSTOMER APPROVAL DATE:                                   |        |
| NAME:   | TITLE: |
| COMPANY NAME:   |        |
| APPROVAL # FREIGABE # DEBLOCAGE # AUTORIZACION # APPROVAL |        |

|  |             |      |      |
|--|-------------|------|------|
| THIS DRAWING MAY NOT BE COPIED OR REPRODUCED IN ANY WAY, AND MAY NOT BE PASSED ON TO A THIRD PARTY WITHOUT WRITTEN PERMISSION. OWNERSHIP AND COPYRIGHT OF CONEC GmbH |             |      |      |
| DO NOT ALTER CAD DRAWING BY HAND   |             |      |      |
| rev.   | description | date | name |
| a  | Origin      |      |      |

|              |          |            |
|--------------|----------|------------|
| tolerance    |          | dim. in mm |
| date         | name     |            |
| drawn        | 26.10.09 | Petker     |
| appd.        | 27.10.09 | Fischer    |
| norm         |          |            |
| d-old        |          |            |
| <b>CONEC</b> |          |            |

|           |  |        |
|-----------|--|--------|
| scale:    | 2:1 (5:1)  |        |
| material: | SEE NOTES  |        |
| title:    | D-SUB FILTER FEMALE 90°<br>9pos. SOLDER PIN ANGLED 0.318inch<br>threaded insert and mounting bracket |        |
| dwg no:   | Inventor 10  | DIN-A3 |
|           | 24K1A1212  | sh: 1  |
| part no:  | 242A12420X   |        |