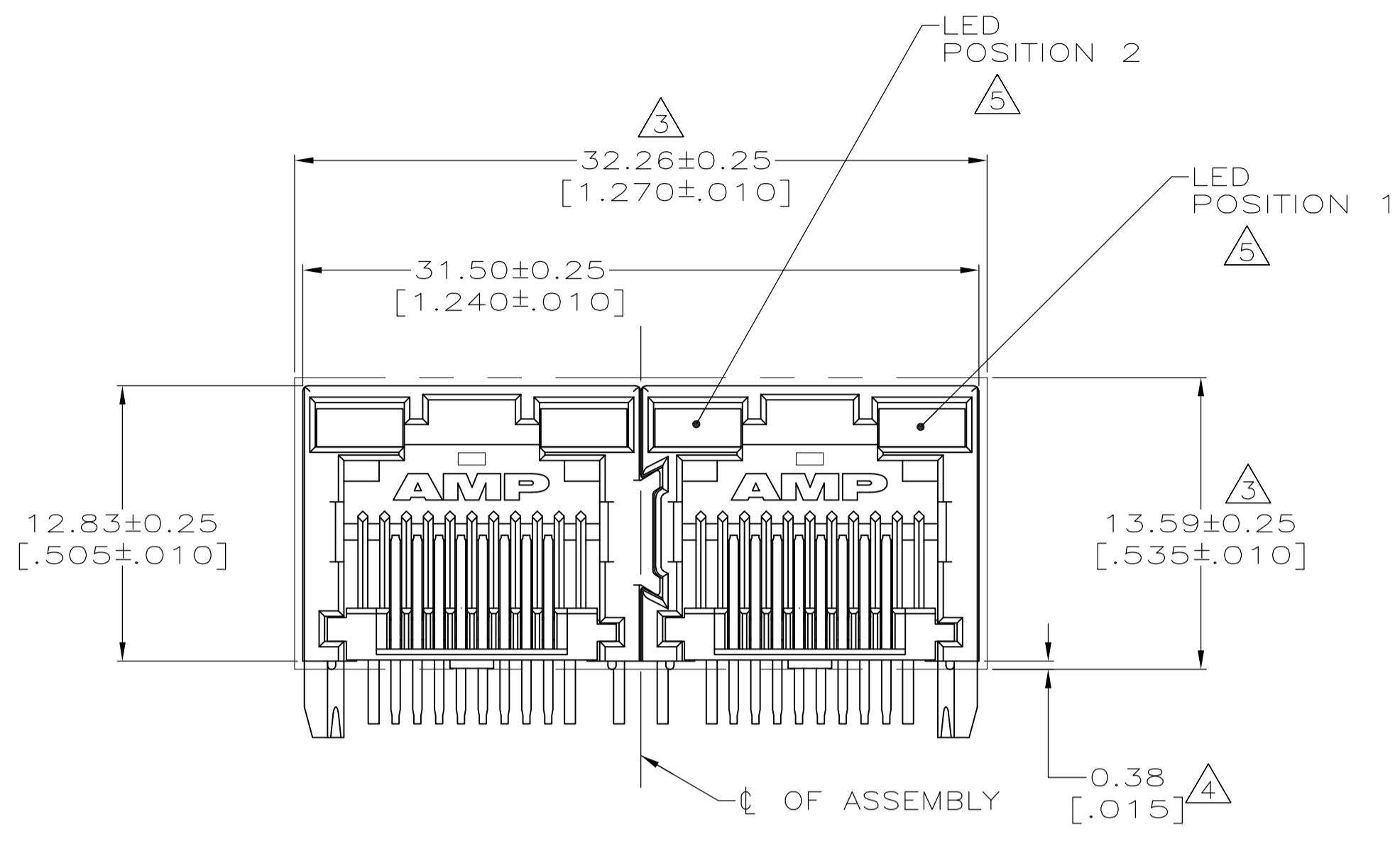
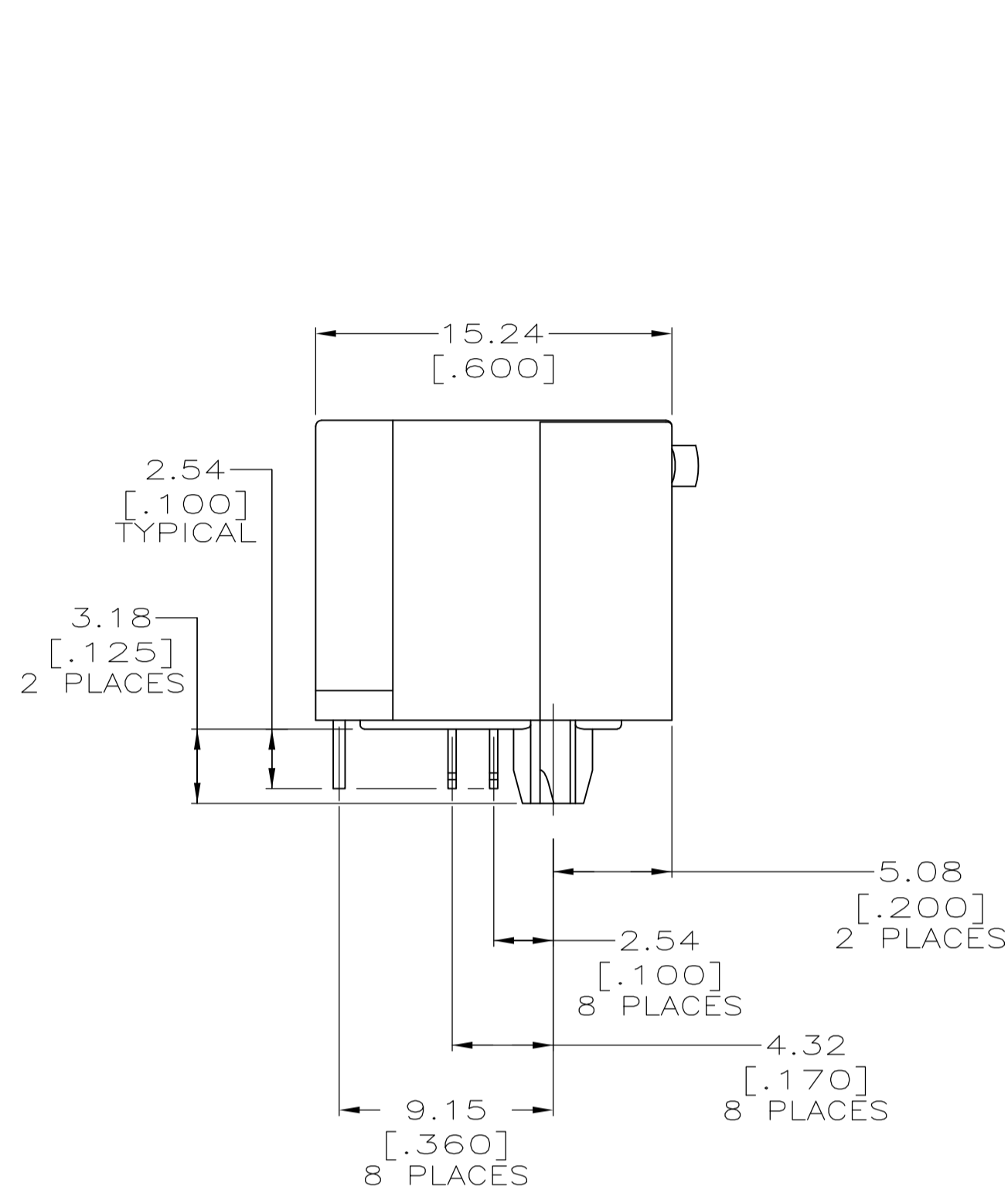
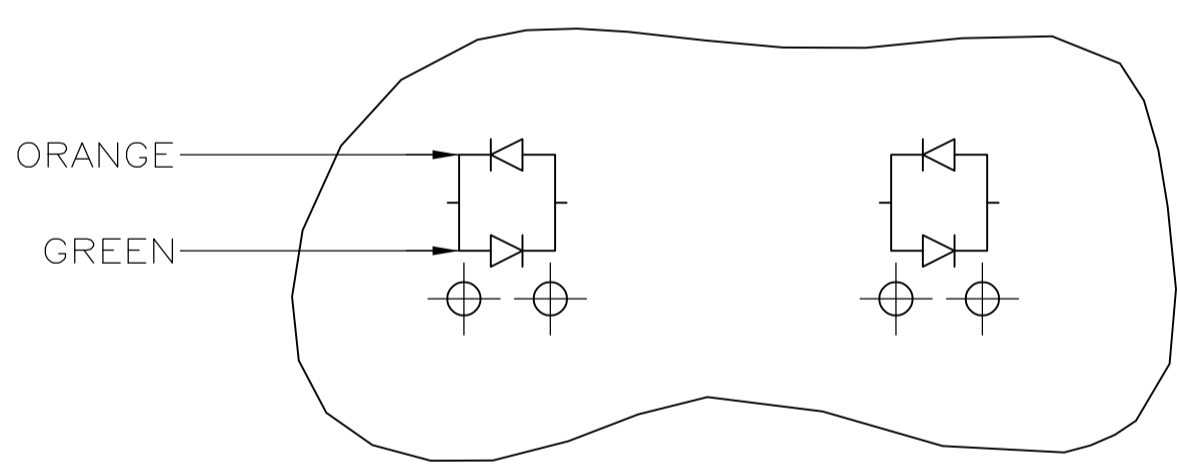


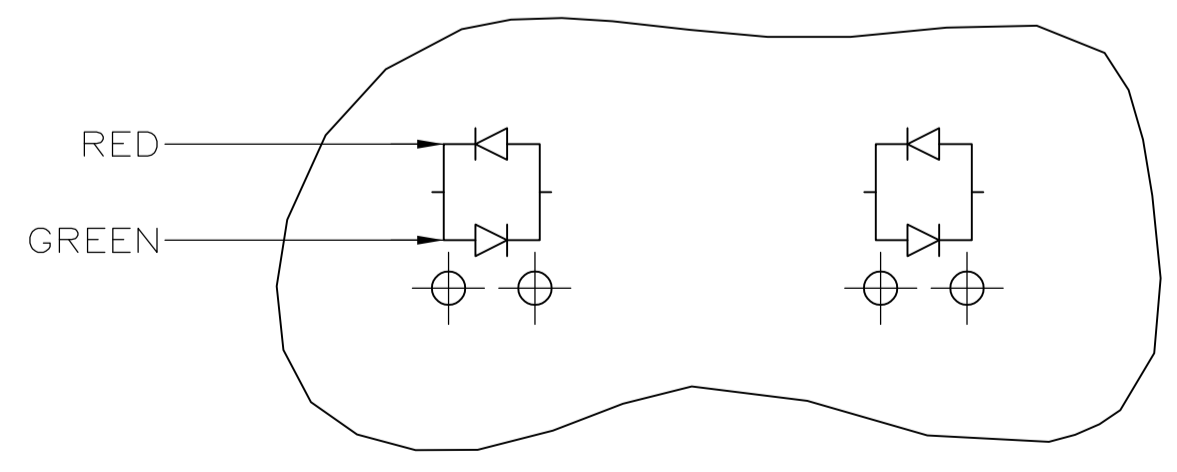
LOC		DIST		REVISIONS			
AA	22	REV	DESCRIPTION	DATE	BY	APPV	
A		REV PER	EC 0S11-0201-04	13JUN2005	JA	SF	
A1		REVISED PER	ECO-09-024927	09NOV09	KK	AEG	



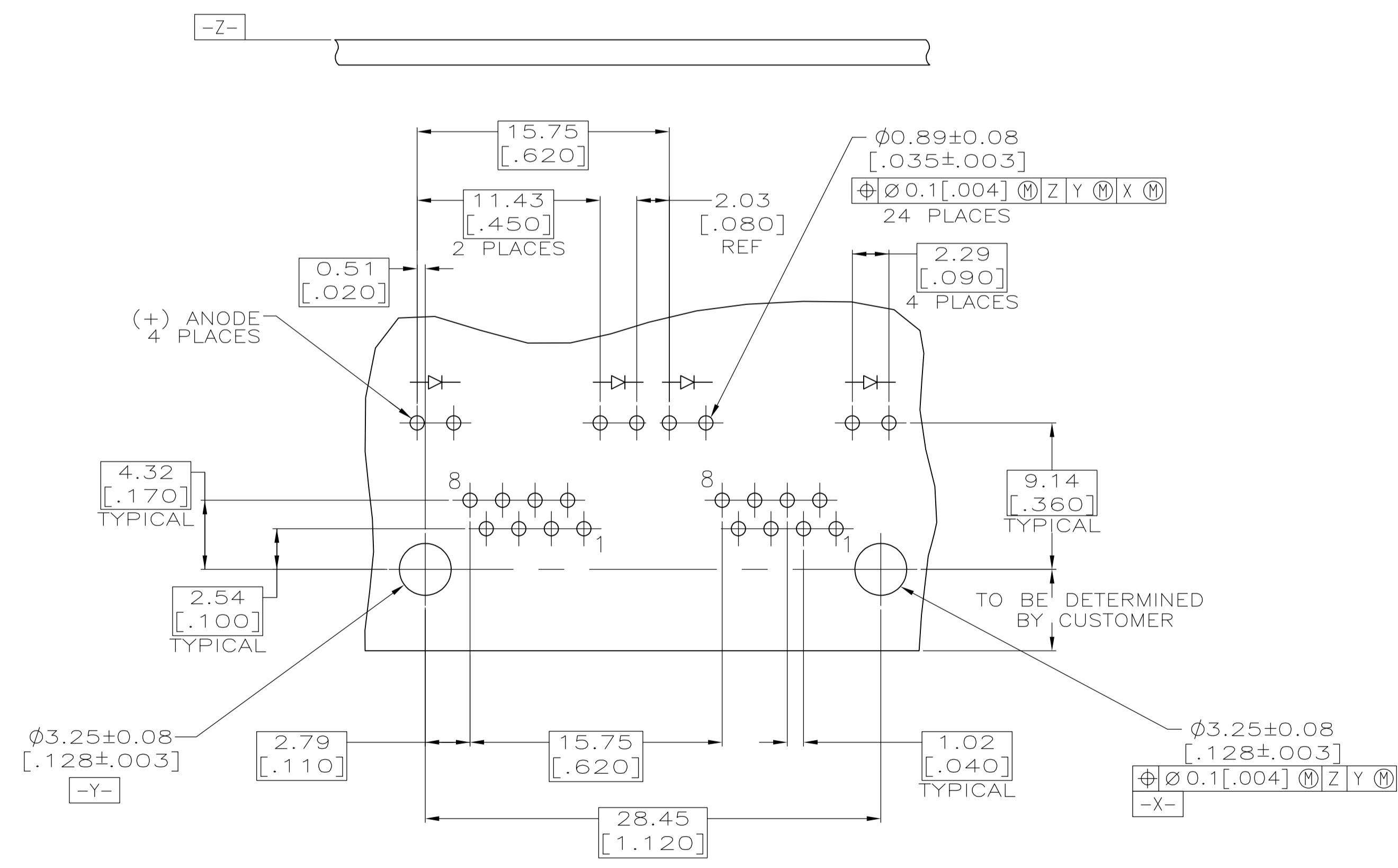
- MATERIAL:**  
 HOUSING - HIGH TEMPERATURE THERMOPLASTIC, BLACK, UL94V-0.  
 TERMINALS - .36[.014] THICK PHOS BRONZE PLATED WITH 3.81 $\mu$ m[.000150] MINIMUM THICK MATTE TIN IN SOLDER AREA. 1.27 $\mu$ m [ .000050] MINIMUM GOLD IN LOCALIZED PLATE AREA. ENTIRE TERMINAL PLATED WITH 1.27 $\mu$ m [ .000050] MINIMUM THICK NICKEL.  
 LIGHT EMITTING DIODE (LED) - DIFFUSED EPOXY LENS, 0.51 x 0.51[.020 x .020] CARBON STEEL WIREFRAME LEADS PREPLATED WITH 8.89  $\mu$ m[.0003500] THICK Sn/Cu OVER 2.03  $\mu$ m[.000080] THICK Ag OVER 1.02 $\mu$ m[.000040] THICK Cu OVER 3.56  $\mu$ m[.000140] THICK Ni OVER 1.02 $\mu$ m[.000040] Cu UNDERPLATE
- JACK CAVITY CONFORMS TO FCC RULES AND REGULATIONS PART 68, SUBPART F.
  - SUGGESTED PANEL OPENING DIMENSIONS.
  - SUGGESTED CLEARANCE BETWEEN BOTTOM OF CONNECTOR AND BOTTOM PANEL OPENING.
  - SEE TABLE FOR COLOR OF LEDS AND NUMBER REQUIRED.
  - THIS MODULAR JACK WITH INTEGRATED LED IS NOT IR REFLOW SOLDERING PROCESS COMPATIBLE.
  - OBSOLETE PARTS: OBSOLETE CIS STREAMLINING PER D.RENAUD/D.SINISI



**LED CURRENT DIAGRAM**  
 OBSOLETE 5406534-7 ONLY



**LED CURRENT DIAGRAM**  
 OBSOLETE 2-5406534-4 ONLY



**SUGGESTED PRINTED CIRCUIT BOARD LAYOUT**  
 (COMPONENT SIDE)

OBSOLETE	INDICATOR COLOR FOR EACH HOUSING		PART NUMBER
	POSITION 2	POSITION 1	
	GREEN/RED	GREEN/RED	2-5406534-4
	ORANGE/GREEN	ORANGE/GREEN	5406534-7
	YELLOW	YELLOW	5406534-6
	GREEN	GREEN	5406534-5
	YELLOW	-	5406534-3
	-	GREEN	5406534-2

THIS DRAWING IS A CONTROLLED DOCUMENT.

DIMENSIONS: mm (INCHES)	TOLERANCES UNLESS OTHERWISE SPECIFIED:	0 PLC ± -	1 PLC ± -	2 PLC ± 0.25[.01]	3 PLC ± 0.13[.005]	4 PLC ± -	ANGLES ± -
-------------------------	--	-----------	-----------	-------------------	--------------------	-----------	------------

APPROVED: J. WESTMAN	DATE: 13JUN2005	BY: S. FLICKINGER	DATE: 13JUN2005
DESIGNED: J. ALCORTA - DOCK 5		DATE: 13JUN2005	

Product Name: INVERTED MODULAR JACK ASSEMBLY, 1X2, LED

Part Number: 5406534

Scale: 1:1

Sheet: 1 of 1

Revision: A1