

P	LTR	DESCRIPTION	DATE	DWN	APVD
	B	REVISED PER ECR-20-100642	23SEP2022	M.G	D.Z

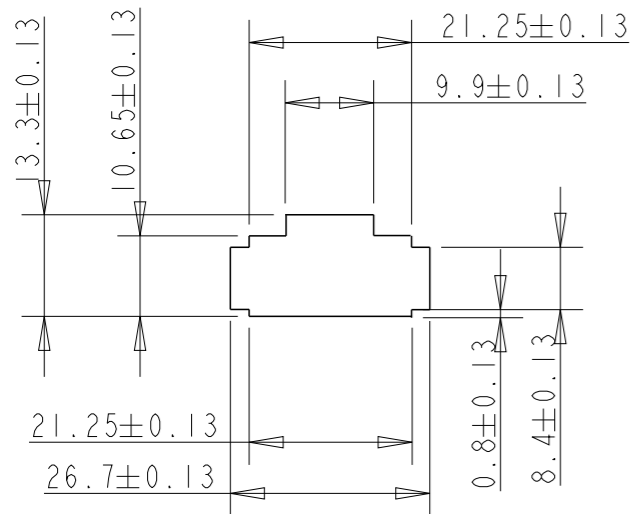
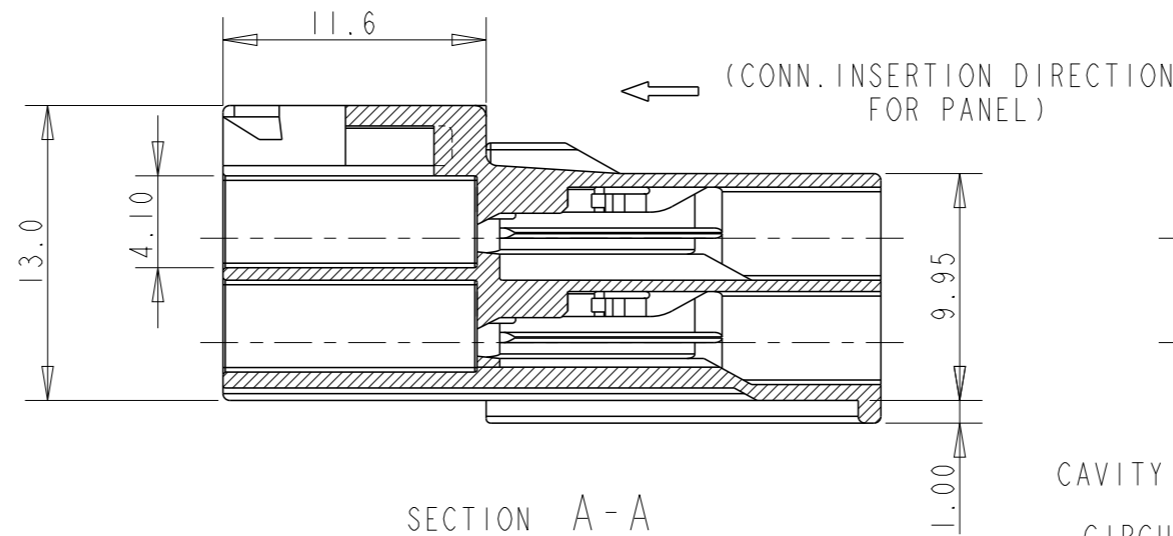
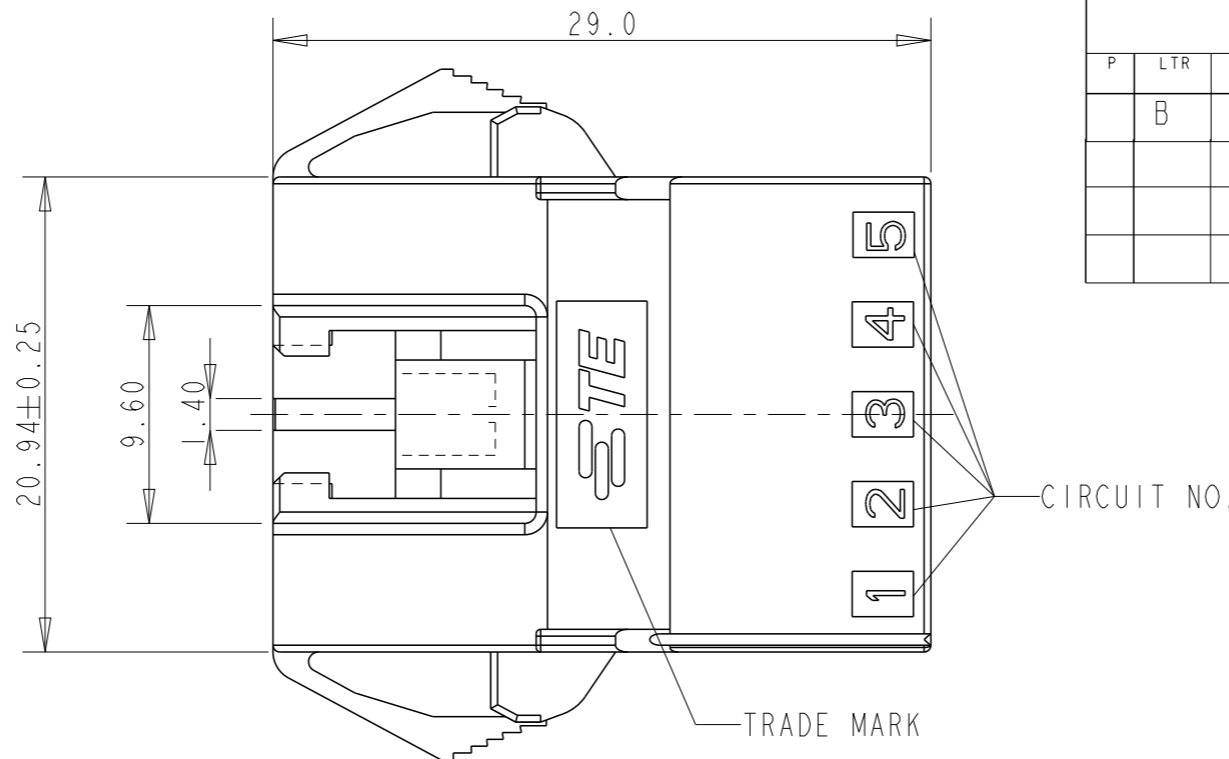
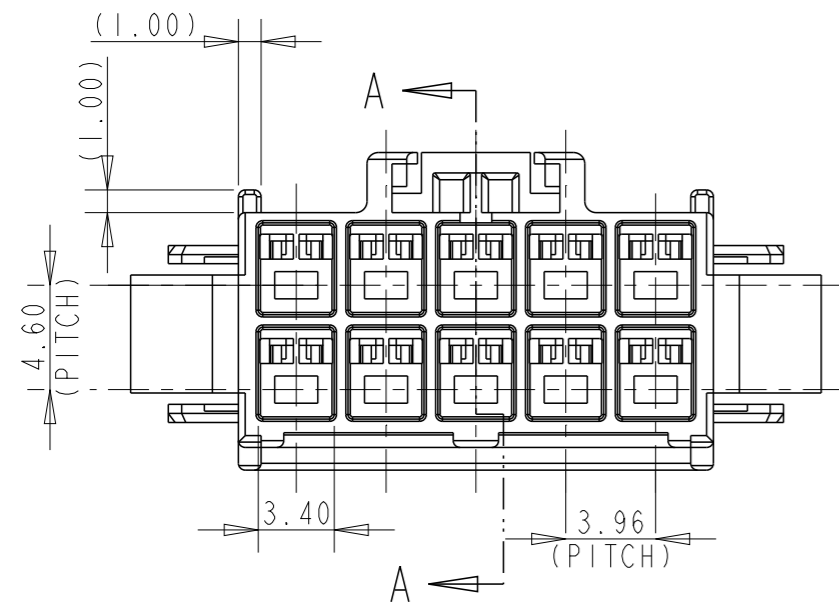
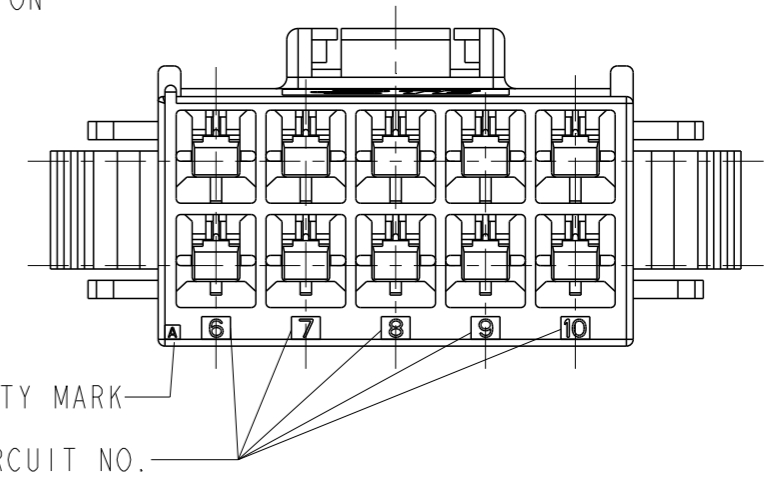


FIG. 1
(RECOMMENDED PANEL
OPENING DIMENSIONS)



SECTION A-A



NOTES:

- APPLICABLE CONTACT P/N:
TAB CONTACT: 175150-□ (20-16 AWG)
175149-□ (26-22 AWG)
- MATING CONN. P/N:
PLUG HSG: 176277-□
REC CONTACT: 175152-□ (20-16 AWG)
175151-□ (26-22 SWG)
- INSTRUCTION SHEET: IS-503J.
- APPLICABLE PANEL THICKNESS, 0.8-2.0 (SEE FIGURE 1)
- INSERT CONN. FROM PRESS DIRECTION SIDE FOR METAL PANEL
- EDGE OF THICKNESS WAY MUST NOT ROUND FOR MOLDED PANEL

DISCONTINUED	—BLACK	10	176298-9
DISCONTINUED	—BLUE	10	176298-6
DISCONTINUED	—YELLOW	10	176298-4
DISCONTINUED	—RED	10	176298-2
	NATURAL	10	176298-1
	HOUSING COLOR	POSITION	PART NUMBER

THIS DRAWING IS A CONTROLLED DOCUMENT.		DWN Y. NARISAWA 12NOV1990	TE Connectivity		
DIMENSIONS: mm		CHK Y. FUJITA 18NOV1990			
TOLERANCES UNLESS OTHERWISE SPECIFIED:		APVD N. ONOUE 20NOV1990	NAME AMP UNIVERSAL POWER CONN 3.96MM PITCH CAP HOUSING 10 POS (PANEL MOUNT)		
0 PLC ±- 1 PLC ±0.25 2 PLC ±0.20 3 PLC ±- 4 PLC ±- ANGLES ±3° FINISH -		PRODUCT SPEC 108-5302	RESTRICTED TO		
MATERIAL 6/6 NYLON (UL94 V-0)		APPLICATION SPEC 114-5142	SIZE A3	CAGE CODE 00779	DRAWING NO C-176298
		WEIGHT -	SCALE 3:1		
		CUSTOMER DRAWING	SHEET 1 OF 1		
			REV B		