

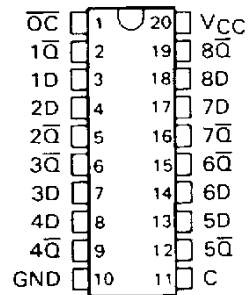
SN54HCT533, SN74HCT533
 OCTAL D-TYPE TRANSPARENT LATCHES
 WITH 3-STATE OUTPUTS

SCLS002

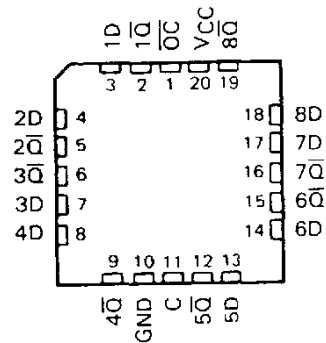
D2804, MARCH 1984—REVISED SEPTEMBER 1987

- Inputs are TTL-Voltage Compatible
- 8 Latches in a Single Package
- High-Current 3-State Inverting Outputs Can Drive Up to 15 LSTTL Loads
- Full Parallel Access for Loading
- Package Options Include Plastic "Small Outline" Packages, Ceramic Chip Carriers, and Standard Plastic and Ceramic 300-mil DIPs
- Dependable Texas Instruments Quality and Reliability

SN54HCT533 . . . J PACKAGE
 SN74HCT533 . . . DW OR N PACKAGE
 (TOP VIEW)



SN54HCT533 . . . FK PACKAGE
 (TOP VIEW)



description

These 8-bit latches feature three-state outputs designed specifically for driving highly capacitive or relatively low-impedance loads. They are particularly suitable for implementing buffer registers, I/O ports, bidirectional bus drivers, and working registers.

The eight latches of the 'HCT533 are transparent D-type latches. While the enable (C) is high, the \bar{Q} outputs will follow the complements of the D inputs. When the enable is taken low, the \bar{Q} outputs will be latched at the inverses of the levels that were set up at the D inputs. The 'HCT533 is functionally equivalent to the 'HCT373 except for having inverted outputs.

An output-control (\bar{OC}) input can be used to place the eight outputs in either a normal logic state (high or low logic levels) or a high-impedance state. In the high-impedance state the outputs neither load nor drive the bus lines significantly. The high-impedance third state and increased drive provide the capability to drive the bus lines in a bus-organized system without need for interface or pull-up components.

The output control does not affect the internal operation of the latches. Old data can be retained or new data can be entered while the outputs are off.

The SN54HCT533 is characterized for operation over the full military temperature range of -55°C to 125°C . The SN74HCT533 is characterized for operation from -40°C to 85°C .

FUNCTION TABLE
 (EACH LATCH)

INPUTS			OUTPUT
\bar{OC}	ENABLE C	D	\bar{Q}
L	H	H	L
L	H	L	H
L	L	X	\bar{Q}_0
H	X	X	Z

PRODUCTION DATA documents contain information current as of publication date. Products conform to specifications per the terms of Texas Instruments standard warranty. Production processing does not necessarily include testing of all parameters.

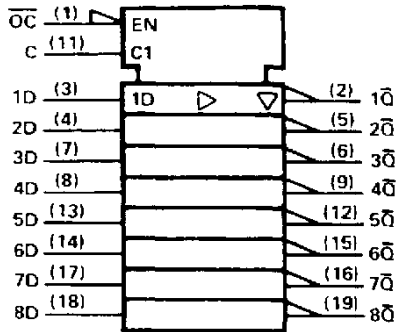


POST OFFICE BOX 855012 • DALLAS, TEXAS 75265

Copyright © 1984, Texas Instruments Incorporated

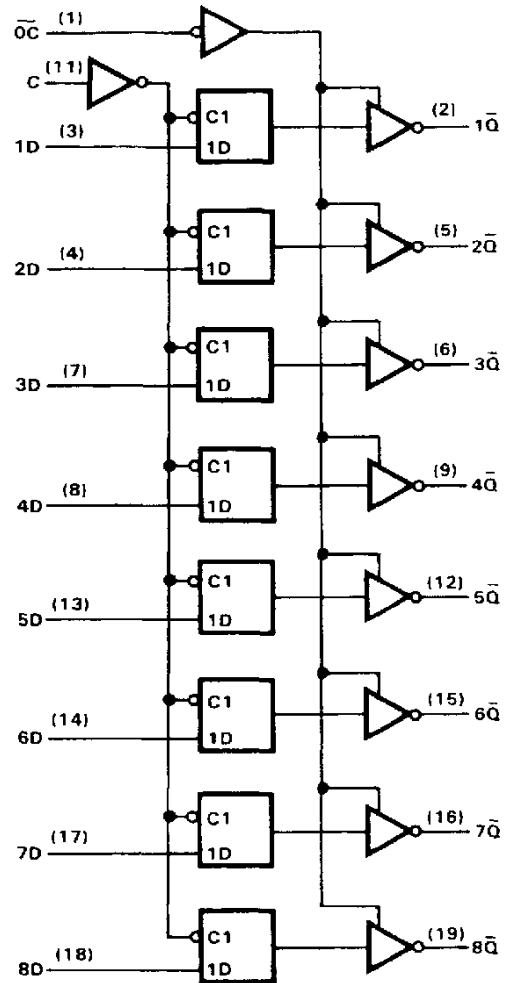
SN54HCT533, SN74HCT533
OCTAL D-TYPE TRANSPARENT LATCHES
WITH 3-STATE OUTPUTS

logic symbol†



†This symbol is in accordance with ANSI/IEEE Std 91-1984 and IEC Publication 617-12.

logic diagram (positive logic)



SN54HCT533, SN74HCT533
OCTAL D-TYPE TRANSPARENT LATCHES
WITH 3-STATE OUTPUTS

absolute maximum ratings over operating free-air temperature range†

Supply voltage range, V_{CC}	-0.5 V to 7 V
Input clamp current, I_{IK} ($V_I < 0$ or $V_I > V_{CC}$)	± 20 mA
Output clamp current, I_{OK} ($V_O < 0$ or $V_O > V_{CC}$)	± 20 mA
Continuous output current, I_O ($V_O = 0$ to V_{CC})	± 35 mA
Continuous current through V_{CC} or GND pins	± 70 mA
Lead temperature 1,6 mm (1/16 in) from case for 60 s: FK or J package	300°C
Lead temperature 1,6 mm (1/16 in) from case for 10 s: DW or N package	260°C
Storage temperature range	-65°C to 150°C

† Stresses beyond those listed under "absolute maximum ratings" may cause permanent damage to the device. These are stress ratings only, and functional operation of the device at these or any other conditions beyond those indicated under "recommended operating conditions" is not implied. Exposure to absolute-maximum-rated conditions for extended periods may affect device reliability.

recommended operating conditions

	SN54HCT533			SN74HCT533			UNIT
	MIN	NOM	MAX	MIN	NOM	MAX	
V_{CC} Supply voltage	4.5	5	5.5	4.5	5	5.5	V
V_{IH} High-level input voltage	$V_{CC} = 4.5$ V to 5.5 V			2			V
V_{IL} Low-level input voltage	$V_{CC} = 4.5$ V to 5.5 V			0			V
V_I Input voltage	0			V_{CC}			V
V_O Output voltage	0			V_{CC}			V
t_t Input transition (rise and fall) times	0			500			ns
T_A Operating free-air temperature	-55			125			°C

electrical characteristics over recommended operating free-air temperature range (unless otherwise noted)

PARAMETER	TEST CONDITIONS	V_{CC}	$T_A = 25^\circ\text{C}$			SN54HCT533		SN74HCT533		UNIT
			MIN	TYP	MAX	MIN	MAX	MIN	MAX	
V_{OH}	$V_I = V_{IH}$ or V_{IL} , $I_{OH} = -20 \mu\text{A}$	4.5 V	4.4	4.499		4.4		4.4	V	
	$V_I = V_{IH}$ or V_{IL} , $I_{OH} = -6 \text{ mA}$	4.5 V	3.98	4.30		3.7		3.84		
V_{OL}	$V_I = V_{IH}$ or V_{IL} , $I_{OH} = 20 \mu\text{A}$	4.5 V		0.001	0.1		0.1		V	
	$V_I = V_{IH}$ or V_{IL} , $I_{OL} = 6 \text{ mA}$	4.5 V		0.17	0.26		0.4			0.33
I_I	$V_I = V_{CC}$ or 0	5.5 V		± 0.1	± 100		± 1000		± 1000	nA
I_{OZ}	$V_O = V_{CC}$ or 0, $V_I = V_{IH}$ or V_{IL}	5.5 V		± 0.01	± 0.5		± 10		± 5	μA
I_{CC}	$V_I = V_{CC}$ or 0, $I_O = 0$	5.5 V			8		160		80	μA
ΔI_{CC}	One input at 0.5 V or 2.4 V Other inputs at 0 V or V_{CC}	5.5 V		1.4	2.4		3		2.9	mA
C_i		4.5 to 5.5 V		3	10		10		10	pF

SN54HCT533, SN74HCT533
OCTAL D-TYPE TRANSPARENT LATCHES
WITH 3-STATE OUTPUTS

timing requirements over recommended operating free-air temperature range (unless otherwise noted)

	V _{CC}	T _A = 25°C		SN54HCT533		SN74HCT533		UNIT
		MIN	MAX	MIN	MAX	MIN	MAX	
t _w Pulse duration, enable C high	4.5 V 5.5 V	20 17		30 27		25 23		ns
t _{su} Setup time, data before enable C↓	4.5 V 5.5 V	10 9		15 14		13 12		ns
t _h Hold time, data after enable C↓	4.5 V 5.5 V	5 5		5 5		5 5		ns

switching characteristics over recommended operating free-air temperature range (unless otherwise noted), C_L = 50 pF (see Note 1)

PARAMETER	FROM (INPUT)	TO (OUTPUT)	V _{CC}	T _A = 25°C			SN54HCT533		SN74HCT533		UNIT
				MIN	TYP	MAX	MIN	MAX	MIN	MAX	
t _{pd}	D	\bar{Q}	4.5 V 5.5 V		38 24	35 32		53 48		44 40	ns
t _{pd}	C	Any \bar{Q}	4.5 V 5.5 V		30 28	35 32		53 48		44 40	ns
t _{en}	\overline{OC}	Any \bar{Q}	4.5 V 5.5 V		29 25	35 32		53 48		44 40	ns
t _{dis}	\overline{OC}	Any \bar{Q}	4.5 V 5.5 V		25 24	35 32		53 48		44 40	ns
t _t		Any \bar{Q}	4.5 V 5.5 V		10 9	12 11		18 16		15 14	ns

C _{pd}	Power dissipation capacitance per latch	No load, T _A = 25°C	50 pF typ
-----------------	-----------------------------------------	--------------------------------	-----------

switching characteristics over recommended operating free-air temperature range (unless otherwise noted), C_L = 150 pF (see Note 1)

PARAMETER	FROM (INPUT)	TO (OUTPUT)	V _{CC}	T _A = 25°C			SN54HCT533		SN74HCT533		UNIT
				MIN	TYP	MAX	MIN	MAX	MIN	MAX	
t _{pd}	D	\bar{Q}	4.5 V 5.5 V		36 32	52 47		79 71		65 59	ns
t _{pd}	C	Any \bar{Q}	4.5 V 5.5 V		40 38	52 47		79 71		65 59	ns
t _{en}	\overline{OC}	Any \bar{Q}	4.5 V 5.5 V		35 29	52 47		79 71		65 59	ns
t _t		Any \bar{Q}	4.5 V 5.5 V		18 16	42 38		63 57		53 48	ns

Note 1: Load circuits and voltage waveforms are shown in Section 1.



IMPORTANT NOTICE

Texas Instruments and its subsidiaries (TI) reserve the right to make changes to their products or to discontinue any product or service without notice, and advise customers to obtain the latest version of relevant information to verify, before placing orders, that information being relied on is current and complete. All products are sold subject to the terms and conditions of sale supplied at the time of order acknowledgement, including those pertaining to warranty, patent infringement, and limitation of liability.

TI warrants performance of its semiconductor products to the specifications applicable at the time of sale in accordance with TI's standard warranty. Testing and other quality control techniques are utilized to the extent TI deems necessary to support this warranty. Specific testing of all parameters of each device is not necessarily performed, except those mandated by government requirements.

CERTAIN APPLICATIONS USING SEMICONDUCTOR PRODUCTS MAY INVOLVE POTENTIAL RISKS OF DEATH, PERSONAL INJURY, OR SEVERE PROPERTY OR ENVIRONMENTAL DAMAGE ("CRITICAL APPLICATIONS"). TI SEMICONDUCTOR PRODUCTS ARE NOT DESIGNED, AUTHORIZED, OR WARRANTED TO BE SUITABLE FOR USE IN LIFE-SUPPORT DEVICES OR SYSTEMS OR OTHER CRITICAL APPLICATIONS. INCLUSION OF TI PRODUCTS IN SUCH APPLICATIONS IS UNDERSTOOD TO BE FULLY AT THE CUSTOMER'S RISK.

In order to minimize risks associated with the customer's applications, adequate design and operating safeguards must be provided by the customer to minimize inherent or procedural hazards.

TI assumes no liability for applications assistance or customer product design. TI does not warrant or represent that any license, either express or implied, is granted under any patent right, copyright, mask work right, or other intellectual property right of TI covering or relating to any combination, machine, or process in which such semiconductor products or services might be or are used. TI's publication of information regarding any third party's products or services does not constitute TI's approval, warranty or endorsement thereof.