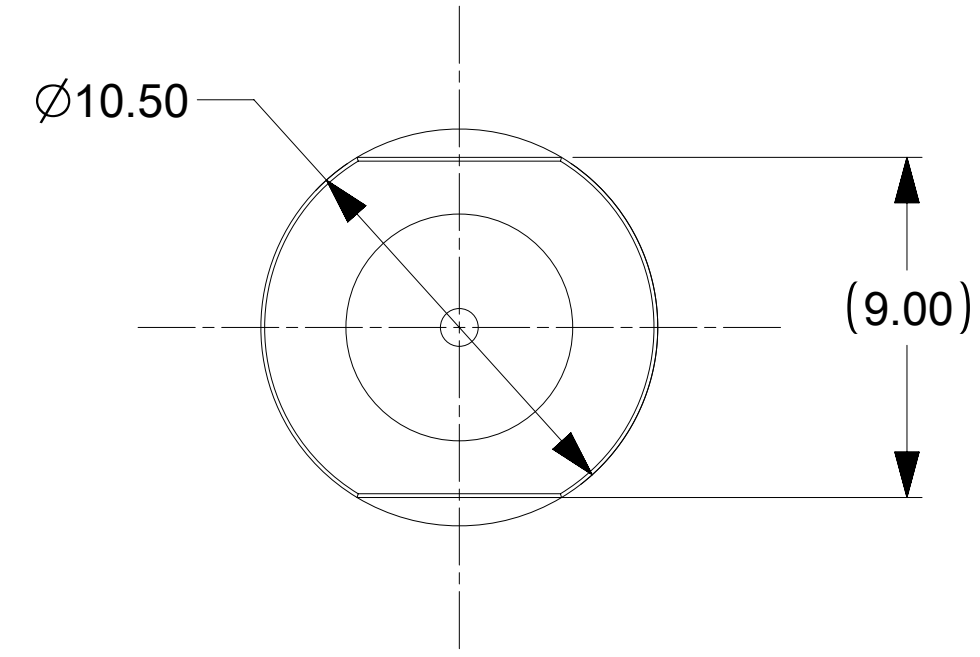
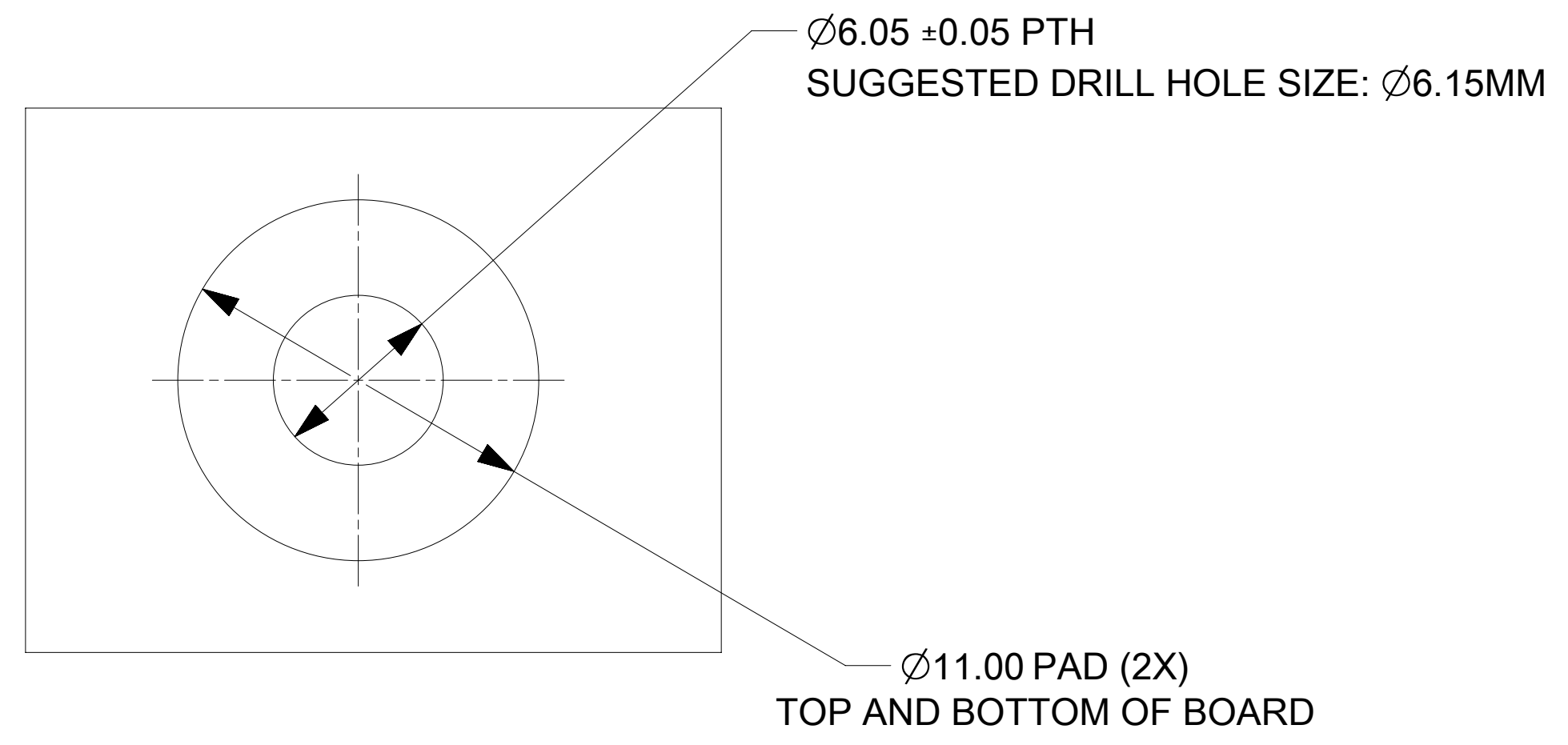


PART NUMBER	DIMENSION "L"
203263-6085	18.52
203263-6185	25.52
203263-6285	20.92
203263-6385	30.92
203263-6485	29.42
203263-6585	23.77
203263-6685	40.00
203263-6785	51.52
203263-6885	45.50
203263-6985	14.02
203263-8085	16.00
203263-8185	20.00
203263-8285	26.00
203263-8485	36.00
203263-8585	48.00
203263-8385	92.10

SECTION A-A



RECOMMENDED PCB OR BUSBAR LAYOUT

NOTES:

1. MATERIALS:
BASE METAL: HIGH CONDUCTIVE COPPER ALLOY
PLATING ON BODY: 3.18 MICRON MIN SILVER OVER 1.27 MICRON MIN NICKEL
2. PRODUCT SPECIFICATION: 2043130006-PS
3. APPLICATION SPECIFICATION: 2043130006-AS
4. PARTS TO BE PACKAGED AS PER PACKAGING SPECIFICATION: 2032630006-PK
5. SILVER COMPONENTS WILL BE SUPPLIED TARNISH FREE BUT MAY TARNISH OVER TIME.
6. PART MOUNTED WITH CONDUCTIVE M4 SCREW AND CONDUCTIVE BELLEVILLE WASHER FOR OPTIMAL PERFORMANCE
7. SCREW LENGTH TO BE DETERMINED BY CUSTOMER, SCREWS AND WASHERS ARE NOT SUPPLIED BY MOLEX.

THIS DRAWING CONTAINS INFORMATION THAT IS PROPRIETARY TO MOLEX ELECTRONIC TECHNOLOGIES, LLC AND SHOULD NOT BE USED WITHOUT WRITTEN PERMISSION																	
DIMENSION UNITS: mm		SCALE: 5:1		CURRENT REV DESC: UPDATED NOTES						molex							
GENERAL TOLERANCES (UNLESS SPECIFIED)				EC NO: 748054													
ANGULAR TOL ± 0.5°		4 PLACES ±		DRWN: SUVARS		2023/02/07		SENTRALITY 6.00MM MALE TERMINAL SCREW MOUNT									
3 PLACES ±		2 PLACES ± 0.15		CHK'D: SUVARS		2023/05/08											
1 PLACE ± 0.25		0 PLACES ±		APPR: HTHYAGARAJ		2023/05/22		PRODUCT CUSTOMER DRAWING									
DRAFT WHERE APPLICABLE MUST REMAIN WITHIN DIMENSIONS		THIRD ANGLE PROJECTION		INITIAL REVISION:		DRWN: JJONIAK		2018/10/10		DOCUMENT NUMBER		DOC TYPE		DOC PART		REVISION	
				2019/03/22		APPR: BPISZCZOR		2019/03/22		2032636185-SD		PSD		000		B5	
				D-SIZE		203263		MATERIAL NUMBER		CUSTOMER		SEE TABLE		GENERAL MARKET		SHEET NUMBER	
																1 OF 1	