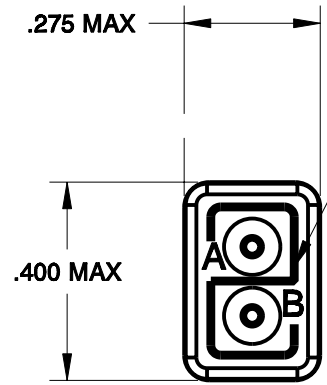
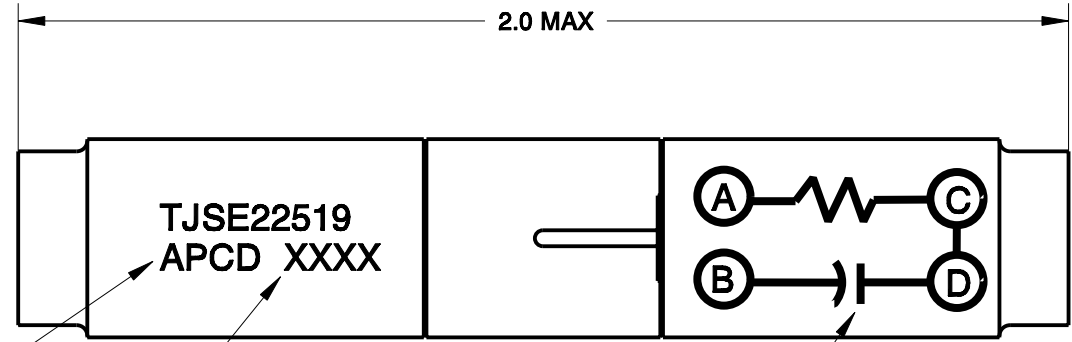


REV	ECN	DESCRIPTION	APP'D
-	5387	RELEASE	



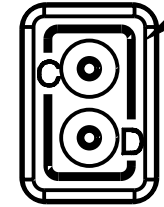
BUS MARKING (TOP)
COLOR: WHITE
AW-2216



WHITE MARKING
.06 HT

DATE CODE

SCHEMATIC MARKING
COLOR: WHITE
AW-2445



BUS MARKING, BOTTOM
COLOR: WHITE
AW-2234

TJSE22519_C

TJSE22519_C



- NOTES:
- MATERIALS:
HOUSING: POLYETHERIMIDE, COLOR BLACK
GROMMET: SILICONE ELASTOMER, COLOR BLUE
INTERNAL CONTACT: COPPER ALLOY, GOLD PLATED,
PER MIL-G-45204, TYPE I, GRADE C, CLASS I.
CONTACT RETAINER: STAINLESS STEEL
 - SPLICE ACCEPTS (2) MATING M39029/1-101 CONTACTS
 - PART COMPLIES TO ALL REQUIREMENTS PER MIL-T-81714.

DIMENSIONS ANSI Y14.5M UNITS: INCHES Pro/E FILE	TOLERANCES .XX ±0.01 .XXX ±0.005 ANGLES ±2.0°	PROJECTION 	Amphenol Pcd		TITLE WIRE SPLICE, SIZE 20/22 120 Ω, 1W 1000pF CAPACITOR, BUSSED	
			ENGR	J. TON 02-Jan-04		
ORIGINAL NOT FOR CUSTOMER DISTRIBUTION	THIS DOCUMENT CONTAINS PROPRIETARY INFORMATION WHICH IS THE CONFIDENTIAL PROPERTY OF AMPHENOL PCD INC., PEABODY, MA		CHKD	SIZE	DWG NO. TJSE22519_C	REV -
			APPD	B		