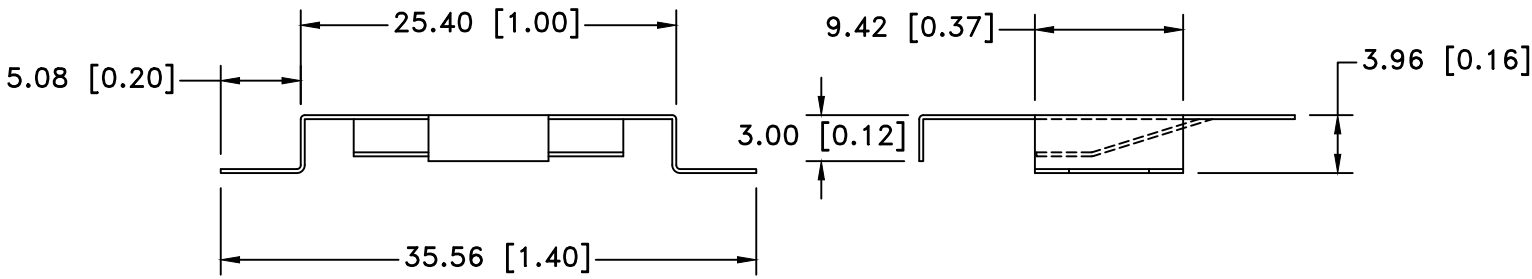
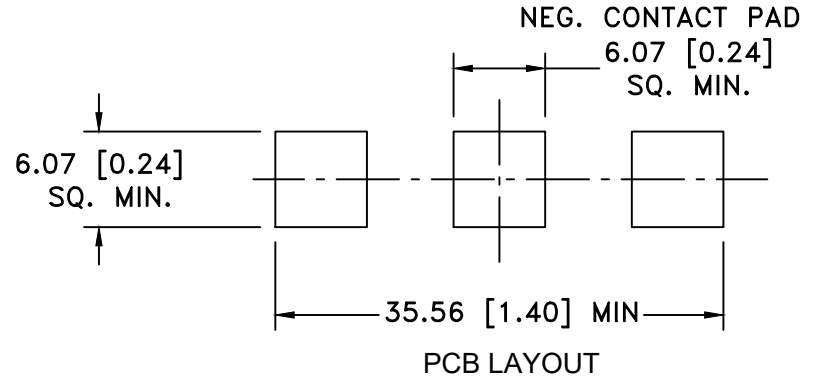
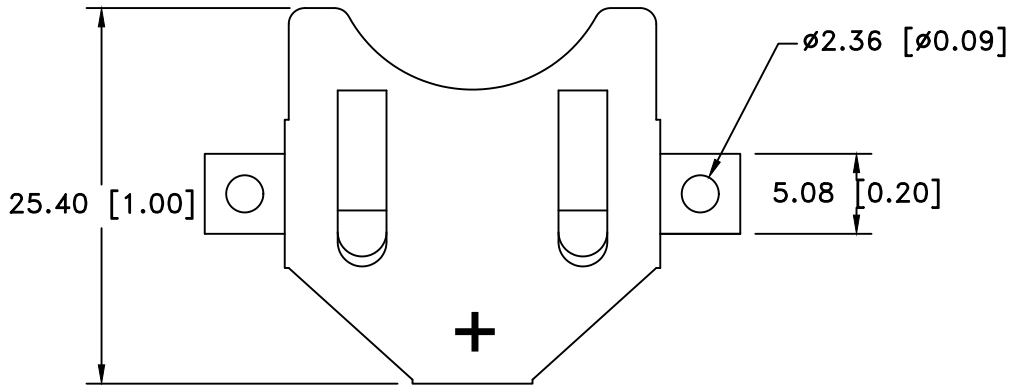



Date	SYM	REVISION RECORD	AUTH	DR.	CK.
12/12/19	E	Added weight of the part	T.B.	B.S.	



NOTES:

- MATERIAL:
0.25mm PHOSPHOR BRONZE, NICKEL PLATED.
- ROHS COMPLIANT
- Approximate weight: 1.42g

Tolerance (Except as noted)	 Memory Protection Devices, Inc 200 Broad Hollow Road, Farmingdale, New York 11735		
	decimal ±.5 (.020)	Scale	Drawn By B.S. Approved By T.B.
Fractional ± .8 (.030)	Title COIN CELL RETAINER FOR 24mm DIA. BATTERIES		
Angular ± 3°	Date 12/12/19	Drawing Number BK-886	

CELL SIZE	RETAINS BATTERY NUMBERS
24mm	CR2430, DL2430