

THIS DRAWING IS UNPUBLISHED.

RELEASED FOR PUBLICATION

© COPYRIGHT

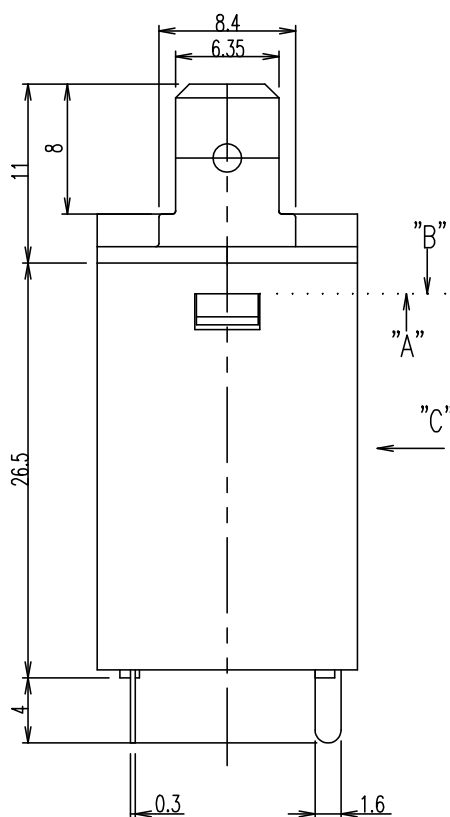
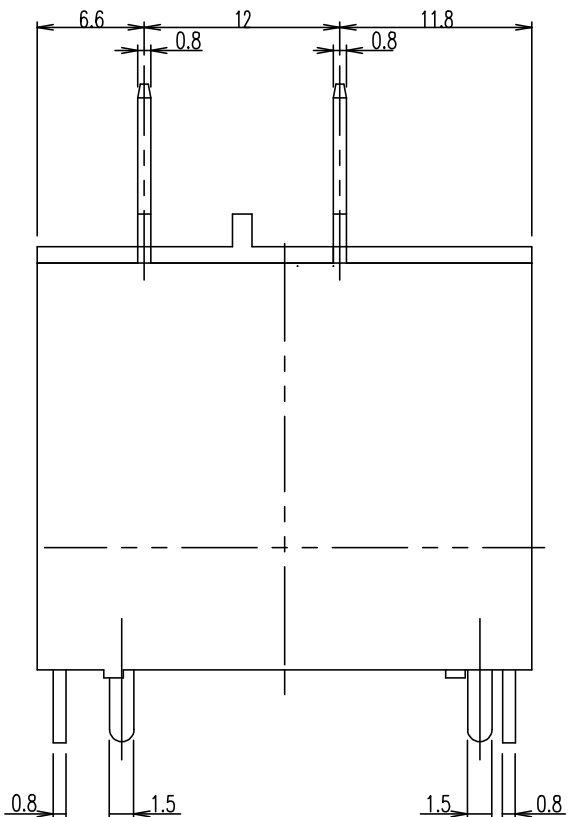
ALL RIGHTS RESERVED.

LOC HB

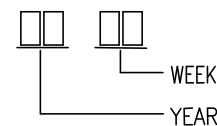
DIST

REVISIONS

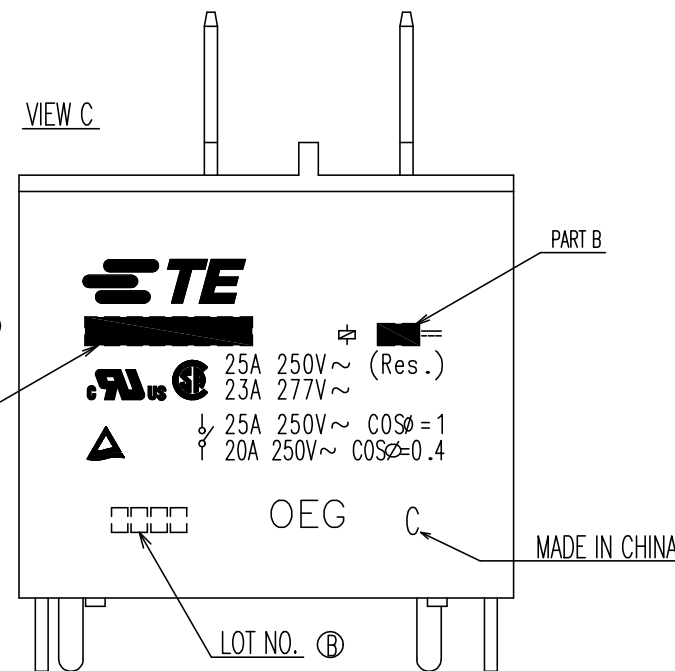
P	LTR	DESCRIPTION	DATE	DWN	APVD
C		TE LOGO CHANGE; ECO-18-008295	30-MAY-18	TOD	K.T
D		OBSOLETE PN; ECO-19-007441	21-AUG-19	TOD	K.T



NOTE:  
LOT NO. SYSTEM AS FOLLOWING:

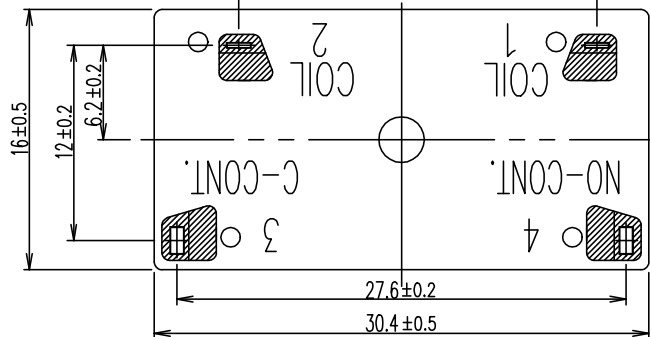


VIEW C



**OBSOLETE**

Diagram dimension	Tolerance
0.99mm max.	±0.1mm
1 - 2.99mm	±0.2mm
3mm min.	±0.3mm



DIMENSIONS: mm		TOLERANCES UNLESS OTHERWISE SPECIFIED:		DWN	H.SASAKI	<b>TE</b> TE Connectivity														
		<table border="0"> <tr><td>0 PLC</td><td>±</td></tr> <tr><td>1 PLC</td><td>±</td></tr> <tr><td>2 PLC</td><td>±</td></tr> <tr><td>3 PLC</td><td>±</td></tr> <tr><td>4 PLC</td><td>±</td></tr> <tr><td>ANGLES</td><td>±</td></tr> </table>		0 PLC	±				1 PLC	±	2 PLC	±	3 PLC	±	4 PLC	±	ANGLES	±	CHK	N.FUNAYAMA
0 PLC	±																			
1 PLC	±																			
2 PLC	±																			
3 PLC	±																			
4 PLC	±																			
ANGLES	±																			
MATERIAL SEE MATERIAL TABLE		FINISH -		APVD	A.NAGAI	PCF-D1M CUSTOMER DRAWING														
				PRODUCT SPEC	-				SIZE	A3	CAGE CODE	00779	DRAWING NO	2-1419146-1	RESTRICTED TO	-				
				APPLICATION SPEC	-	WEIGHT	-	SCALE		3:1	SHEET	1 OF 2	REV	D						
				CUSTOMER DRAWING																

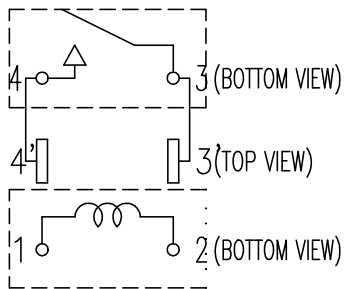
LOC  
HB

DIST

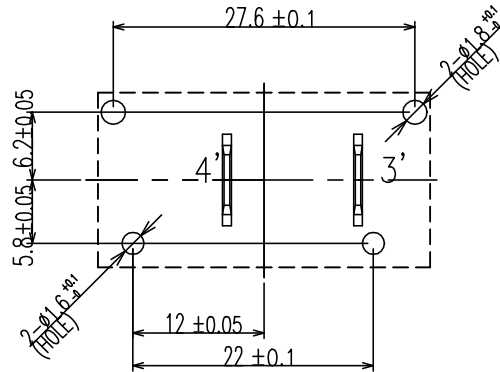
REVISIONS

P	LTR	DESCRIPTION	ECN	DATE	DWN	APVD

CONNECTION DIAGRAM



DRILLING DIAGRAM (BOTTOM VIEW)



**OBSOLETE**

Ⓞ OBSOLETE	2-1419146-4	PCF-148D1M,000	48V	PCF-148D1M	f	
Ⓞ OBSOLETE	9-1419129-5	PCF-124D1M,000	24V	PCF-124D1M	e	
Ⓞ OBSOLETE	9-1419129-2	PCF-112D1M,000	12V	PCF-112D1M	d	
Ⓞ OBSOLETE	2-1419146-3	PCF-109D1M,000	9V	PCF-109D1M	c	
Ⓞ OBSOLETE	2-1419146-2	PCF-106D1M,000	6V	PCF-106D1M	b	
Ⓞ OBSOLETE	2-1419146-1	PCF-105D1M,000	5V	PCF-105D1M	a	
	STATUS	PART NO	DESCRIPTION	PART B	PART A	ITEM

RELAY TYPE

		EPOXY RESIN	SEAL	18
		POLYURETHANE Cu WIRE	MAGNETIC WIRE	17
UL 94V-0		PPS	CARD	16
UL 94V-0		PBT	CASE	15
UL 94V-0		PBT	BASE	14
UL 94V-0		PBT	BOBBIN	13
	SOLDER DIP	Cu ALLOY	COIL TERMINAL R	12
	SOLDER DIP	Cu ALLOY	COIL TERMINAL L	11
		STAINLESS	HINGE SPRING	10
		Ag ALLOY	STATIONARY CONTACT	9
		Ag ALLOY	MOVABLE CONTACT	8
		Cu ALLOY	STATIONARY SPRING	7
		Cu ALLOY	MOVABLE SPRING	6
	SOLDER DIP	Cu ALLOY	STATIONARY TERMINAL	5
	SOLDER DIP	Cu ALLOY	MOVABLE TERMINAL	4
	Ni PLATED	STEEL	CORE	3
	Ni PLATED	STEEL	ARMATURE	2
	Ni PLATED	STEEL	YOKE	1
INCOMBUSTIBILITY	TREATMENT	MATERIAL	DESCRIPTION	ITEM

DWN		DWN		TE Connectivity	
CHK		CHK			
APVD		APVD		NAME	
DIMENSIONS: mm		TOLERANCES UNLESS OTHERWISE SPECIFIED:		PCF-D1M CUSTOMER DRAWING	
		0 PLC ± 1 PLC ± 2 PLC ± 3 PLC ± 4 PLC ± ANGLES ±		PRODUCT SPEC -	
MATERIAL SEE MATERIAL TABLE		FINISH -		APPLICATION SPEC -	
		WEIGHT -		SIZE A3	CAGE CODE 00779
		CUSTOMER DRAWING		DRAWING NO C- 2-1419146-1	RESTRICTED TO -
				SCALE 3:1	SHEET 2 OF 2
				REV D	