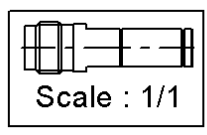
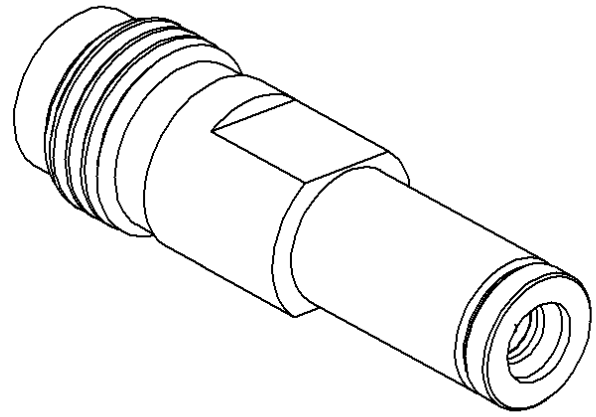
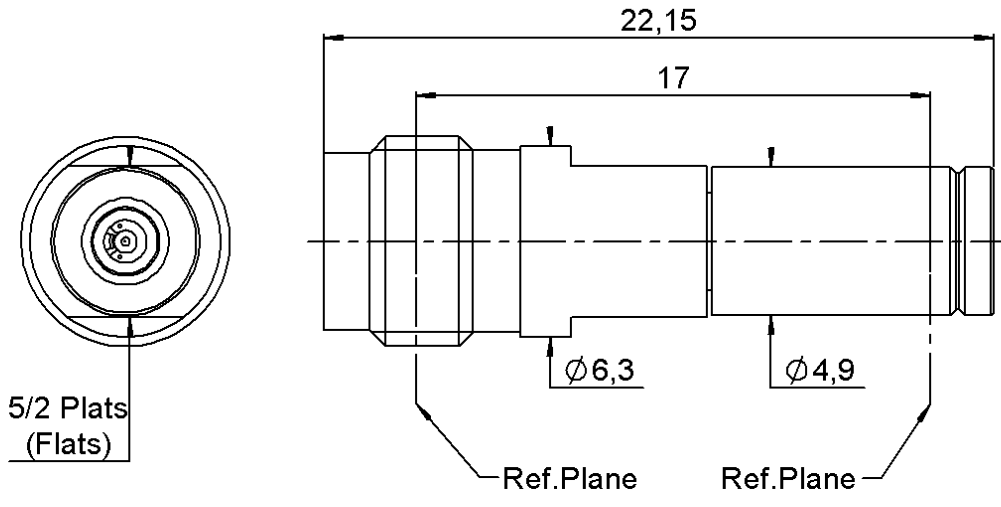
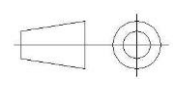


PAGE 1/2	ISSUE 11-04-17B	SERIES ADAPT	PART NUMBER <b>R191564000</b>
----------	-----------------	--------------	-------------------------------



All dimensions are in mm.



COMPONENTS	MATERIALS	PLATING (µm)
Body	<b>BERYLLIUM COPPER</b>	<b>GOLD 0.5 OVER NICKEL 2</b>
Center contact	<b>BERYLLIUM COPPER</b>	<b>OR 1.3 OVER NICKEL PHOSPHORUS 2</b>
Outer contact		
Insulator	<b>PEEK</b>	
Gasket		
Others parts		
-	-	-
-	-	-

PAGE 2/2	ISSUE 11-04-17B	SERIES ADAPT	PART NUMBER R191564000
----------	-----------------	--------------	------------------------

**PACKAGING**

Standard	Unit	Other
	<b>Contact us</b>	<b>Contact us</b>

**ELECTRICAL CHARACTERISTICS**

Impedance		<b>50</b>	$\Omega$
Frequency		<b>0-40</b>	GHz
VSWR	<b>1.05</b>	<b>+</b>	<b>0,0100</b> x F(GHz) Maxi
Insertion loss		<b>0.12</b>	$\sqrt{F}$ (GHz) dB Maxi
RF leakage	<b>- (</b>	<b>NA</b>	- F(GHz) dB Maxi
Voltage rating		<b>335</b>	Veff Maxi
Dielectric withstanding voltage		<b>500</b>	Veff mini
Insulation resistance		<b>5000</b>	M $\Omega$ mini

**ENVIRONMENTAL**

Operating	<b>-65/+165</b>	$^{\circ}\text{C}$
Hermetic seal	<b>NA</b>	Atm.cm3/s
Panel leakage	<b>NA</b>	

**MECHANICAL CHARACTERISTICS**

Center contact retention			
Axial force – Mating End		<b>6.7</b>	N mini
Axial force – Opposite end		<b>6.7</b>	N mini
Torque		<b>NA</b>	N.cm mini
Recommended torque			
Mating	<b>SMA 2.4</b>	<b>0</b>	N.cm
	<b>SMPM</b>	<b>0</b>	N.cm
		<b>0</b>	N.cm
Panel nut		<b>NA</b>	N.cm
Mating life		<b>100</b>	Cycles mini
Weight		<b>3,8900</b>	g

**SPECIFICATION**

**OTHER CHARACTERISTICS**