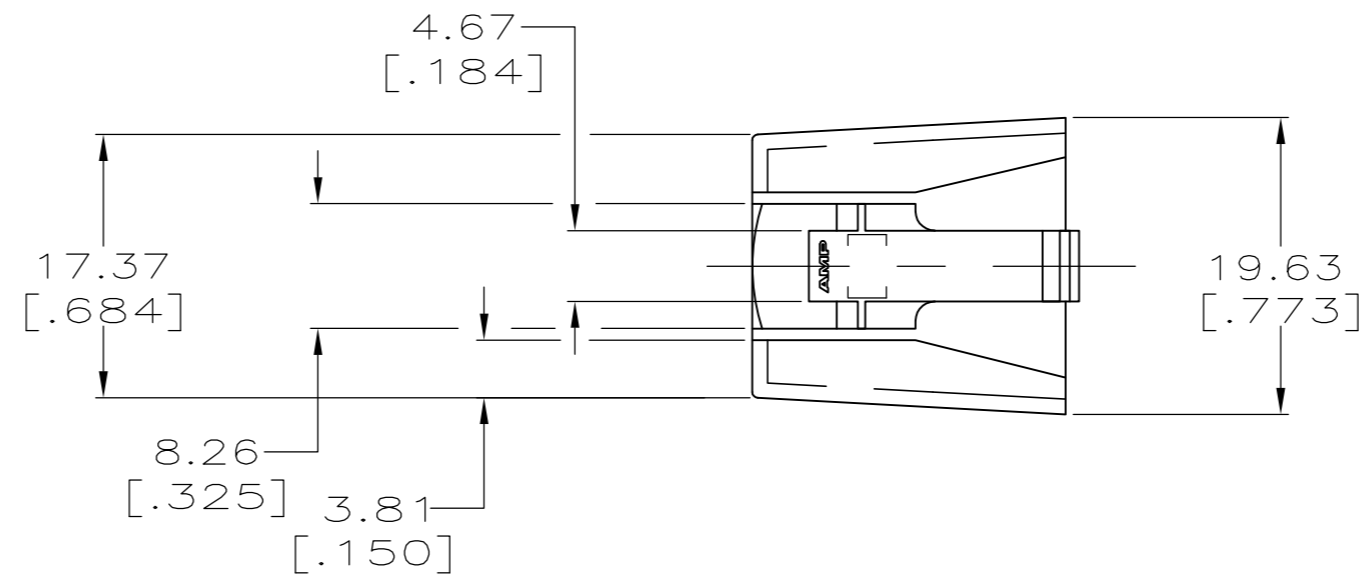
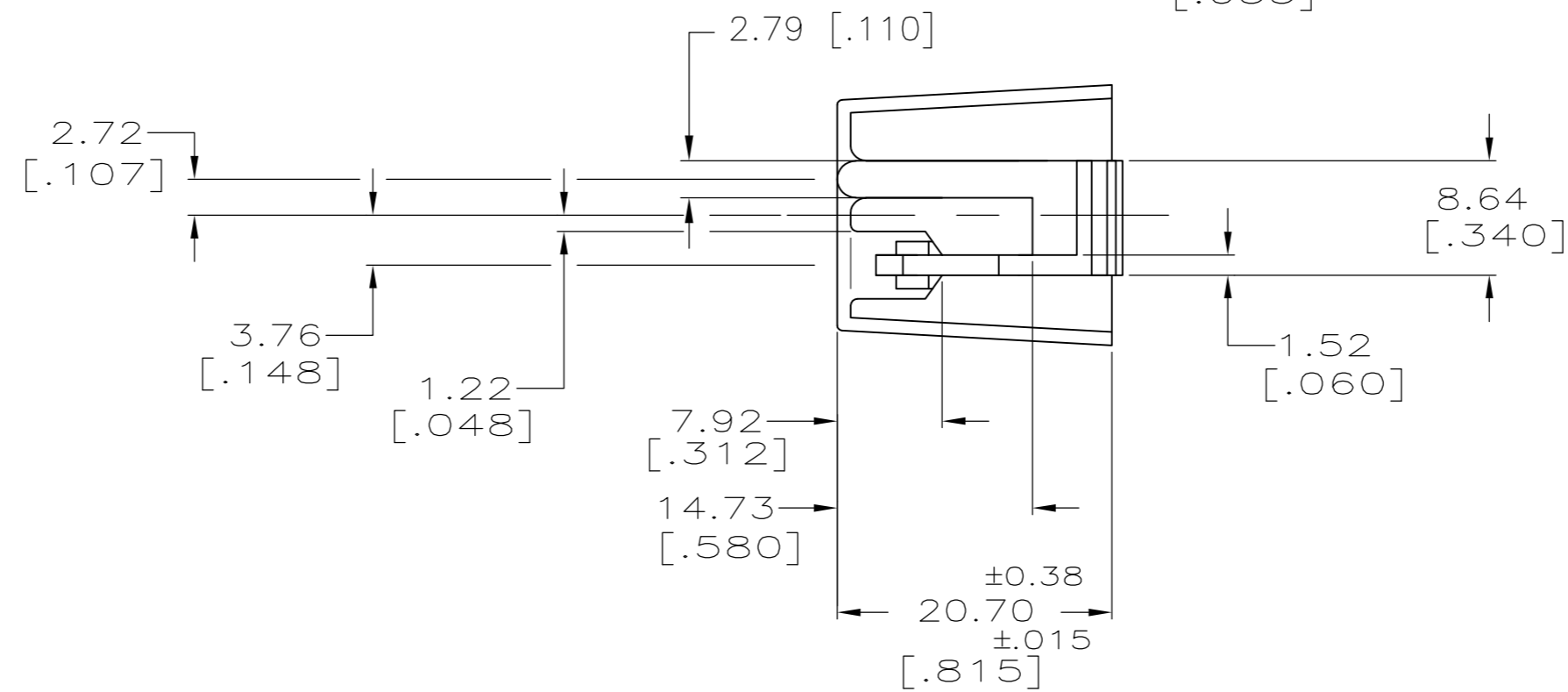
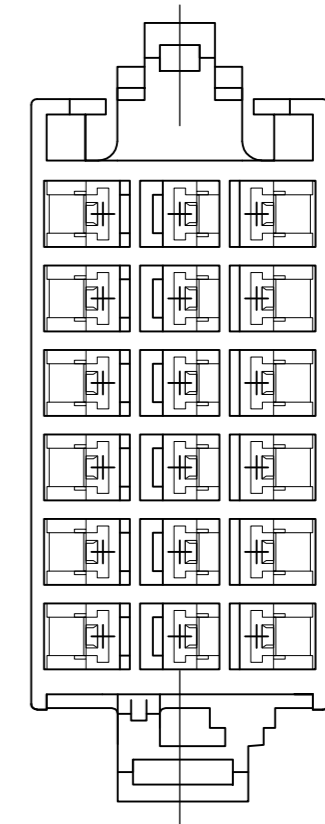
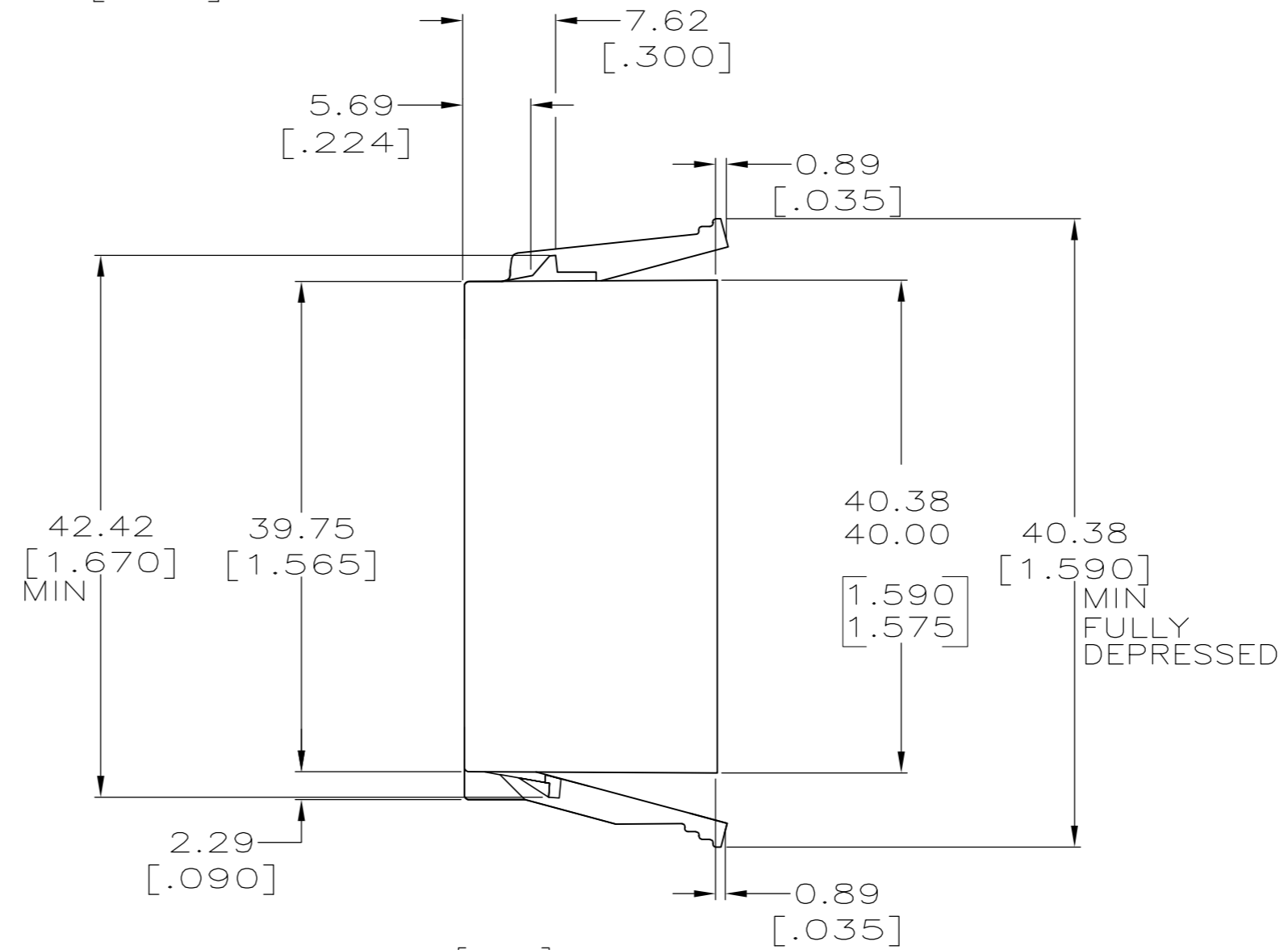
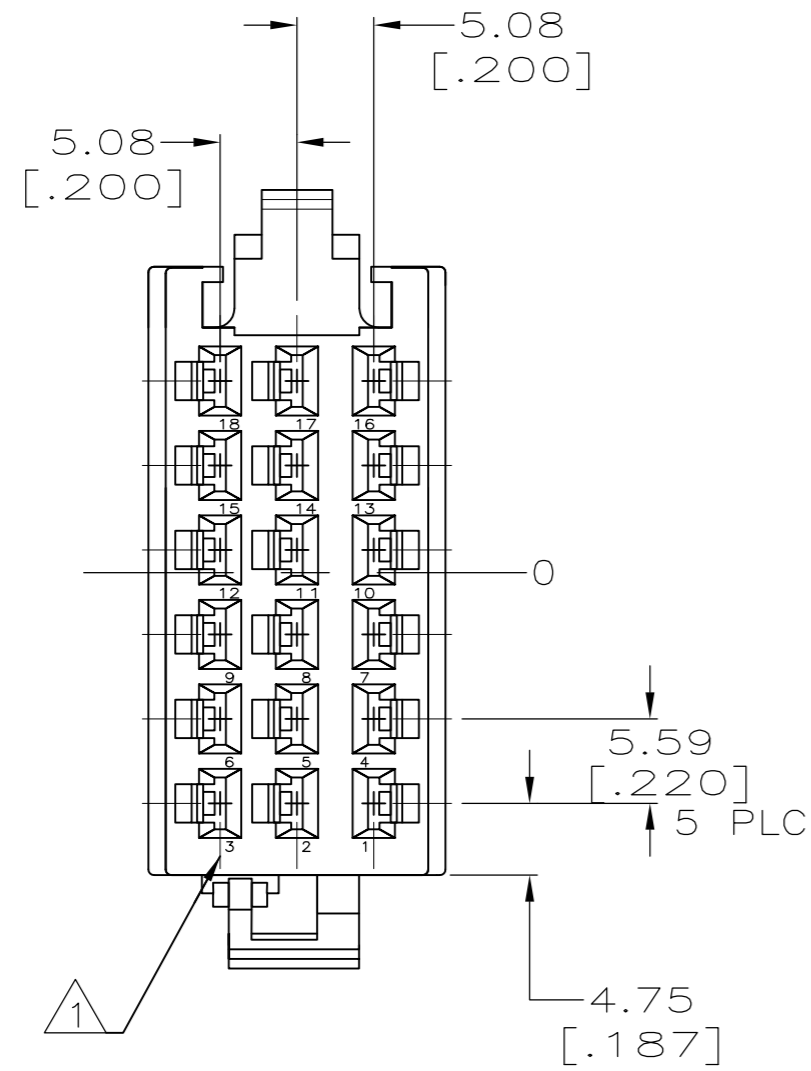


THIS DRAWING IS UNPUBLISHED. RELEASED FOR PUBLICATION
 © COPYRIGHT BY TYCO ELECTRONICS CORPORATION. ALL INTERNATIONAL RIGHTS RESERVED.

LOC	DIST	REVISIONS			
P	LTR	DESCRIPTION	DATE	DWN	APVD
AF	50	U1 REL PER ECR 08-017124	09JUL08	JR	DD



- 1 CIRCUIT IDENTIFICATION.
- 2 MATERIAL: 6/6 NYLON, COLOR NATURAL
- 3 MATERIAL: 6/66 NYLON, COLOR WHITE



3	770200-2
2	770200-1
PART NUMBER	

THIS DRAWING IS A CONTROLLED DOCUMENT.		DWN M.S. FEHER 10NOV2000	Tyco Electronics Corporation Harrisburg, PA 17105-3608	
DIMENSIONS: mm [INCHES]		CHK J.R. RUTH 10NOV2000	NAME HOUSING, LEFT HAND, 18 CIRCUIT, TIMER CONNECTOR	
TOLERANCES UNLESS OTHERWISE SPECIFIED:		APVD DON DECKER 10NOV2000	SIZE A2 CAGE CODE 00779 C=770200	
0 PLC ± -		PRODUCT SPEC -	DRAWING NO -	
1 PLC ± -		APPLICATION SPEC -	RESTRICTED TO -	
2 PLC ± 0.25 [.010]		WEIGHT -	SCALE 2:1 SHEET 1 OF 1 REV U1	
3 PLC ± -		CUSTOMER DRAWING		
4 PLC ± -				
ANGLES ± -				
FINISH SEE NOTES				