

## **USB2510A – Axial High-Field USB Magnetometer**

### **Features and Benefits**

- High-Field Sensing Technology
- Measurement Range of -30 kOe to 30 kOe
- 5 Digit Resolution
- Plug and Play USB Interface
- Powered from USB Bus
- Graphical User Interface
- Command Line User Interface
- Manual Range Selection
- Adjustable Filtering and Averaging
- Simple Zeroing and Calibration
- Customizable Linearization
- Documented Programming Interface
- Reconfigurable Hardware
- Manual and Automatic Triggering

### **Applications**

- High Field Laboratory Measurements
- Automated Data Acquisition and Control
- Materials Research
- Non Destructive Testing
- Magnetic Object Tracking
- Sensor Algorithm Development
- STEM Education
- Hobby and DIY

### **General Description**

The MDT USB2510A is a single-axis digital magnetometer that is intended for the measurement of magnetic fields aligned along the axis of the probe at frequencies less than 100 Hz. The MDT USB2510A combines a high-field magnetic field sensor with plug-and-play USB data acquisition electronics and software to provide a single-axis digital magnetometer system in a simple low-cost form factor. It is designed such that the user may use it directly combined with the proprietary MDT graphical user interface (GUI), controlled with a terminal emulator program, or integrated into the user's custom written program. The GUI can be run on desktop computer, a notebook, or a Windows tablet. Additionally, the probe electronics may be reprogrammed by the user using freely available open source Arduino development tools. The MDT USB Magnetometer is thus a complete development tool that allows a user a simple means for experimenting with MDT sensors, sensor applications, and developing sensor algorithms.

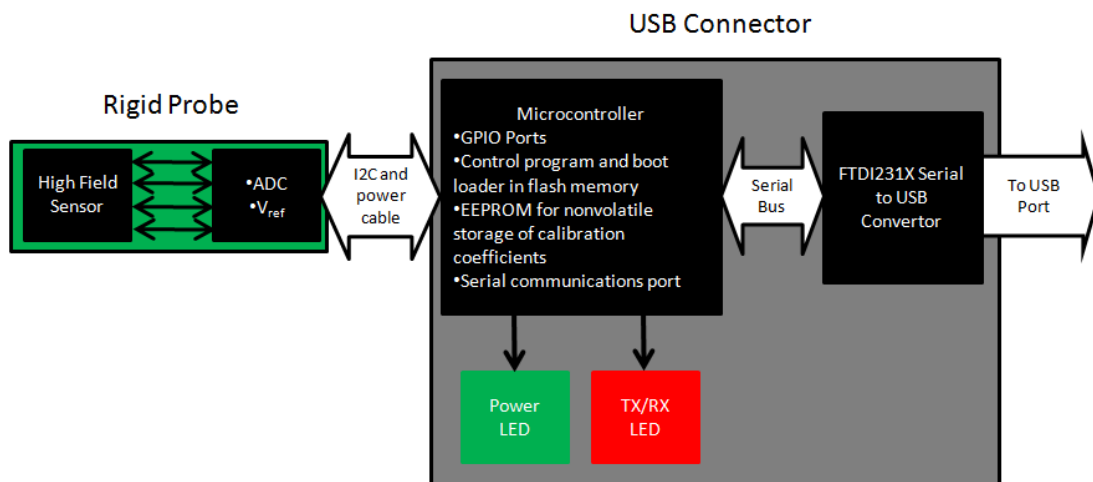


## Hardware Description

The USB magnetometer comprises a magnetic field sensor located on the end of a rigid probe. The rigid probe is connected to data acquisition and computer interfacing hardware by a 1 m long cable. The rigid probe has the following configuration.



The USB magnetometer hardware is program compatible with the popular open source Arduino UNO board, and thus the Arduino programming environment or Atmel microcontroller development tools. The user may develop custom firmware at his/her own risk. The hardware includes a boot loader for uploading Arduino code. The USB magnetometer hardware model is defined as follows:



A magnetic field sensor is used to detect a magnetic field and convert the magnetic field to a voltage value. The magnetic field sensor is biased by a temperature compensated voltage reference. The magnetic field sensor output is connected to an ADC, which digitally samples the voltage and sends the digital signals via a 1 m long cable to the microcontroller over an I2C bus. The microcontroller converts the sampled sensor voltage to a magnetic field value using calibration coefficients stored within the non-volatile program Flash memory or the user reprogrammable EEPROM. When factory calibrated, the calibration coefficients are stored in the EEPROM. These EEPROM values may be overwritten by the user. The microcontroller then sends the computed magnetic field value to a serial bus, which is connected to a FTDI231X Serial-to-USB convertor. The I/O of the FTDI231X Serial-to-USB convertor is a standard USB 2.0 port. A driver on the computer or other computing device is used to create a virtual COM port, which is then accessed by the MDT USB magnetometer GUI, a terminal emulator program, or other custom written program.

## Software Description

The USB Magnetometer includes a GUI for data logging the field readings from the sensor in units of Oersted and displaying those readings in analog, digital, and graphical formats. The data in the graphical display can be output to a csv file, which is compatible with most spreadsheet programs and easy to import into analysis software. The display can be configured in a data viewing mode or in a mode to control operation of the acquisition electronics. The software allows a user to set the resolution, sample rate, filtering, averaging, trigger mode, linearization, and to perform sensor calibration. The GUI also contains a built in terminal emulator for sending and receiving low-level commands to and from the probe, which is useful for programming non-standard configurations and also for debugging commands to be used in custom software applications.



The USB Magnetometer was designed to enable users to interface it with their own custom programs by sending and receiving text commands using a COM port. This is useful for writing data acquisition and data acquisition system control programs, such that the user can input data directly to a program without needing to export it from the USB Magnetometer GUI to a csv file. The COM port commands are fully documented in the user manual, and they may be tested using any terminal emulator program or the built in terminal emulator.

## Absolute Maximum Ratings

Parameter	Symbol	Limit	Unit
External Magnetic Field	$H_{\text{ext}}$	unlimited	Oe <sup>(1)</sup>
ESD Voltage	$V_{\text{ESD}}$	4000	V
Operating Temperature	$T_A$	-40 ~ 125	°C
Storage Temperature	$T_{\text{stg}}$	-55 ~ 150	°C

## Specifications

Parameter	Comments	Min	Typ	Max	Unit
Supply Voltage	From USB Bus		5		V
Sensing Direction	Axial				
Cable Length			1		m
Hardware Interface	USB 2.0				
GUI Supported Operating Systems	Windows XP, Vista, 7, 8, 10				
Custom Program Compatible Operating Systems <sup>(2)</sup>	Windows, Macintosh, Linux, Android, iOS				
Maximum Field Range		-30		30	kOe
Low Noise Field Range		-4		4	kOe
Uncorrected Nonlinearity	Fit @ ±5 kOe		2		%FS
RMS Noise	No Averaging, Low Noise, 16 bits		75		mOe
Temperature Coefficient of Sensitivity			-0.06		%/°C
ADC Resolution <sup>(3)</sup>		12		16	bits
Sampling Frequency <sup>(4)</sup>	ADC Resolution Dependent			110	Hz

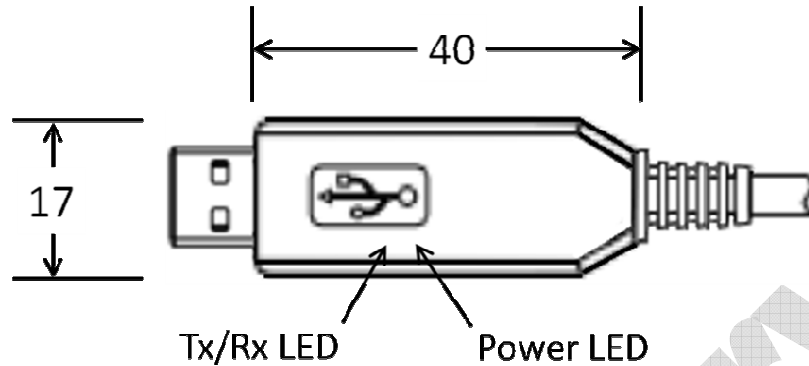
Notes:

- (1) 1 Oe (Oersted) = 1 Gauss in air = 0.1 millitesla = 79.8 A/m.
- (2) Limited by FTDI USB driver availability and computing device USB port hardware
- (3) Resolution can be increased by software averaging
- (4) Limited by ADC hardware

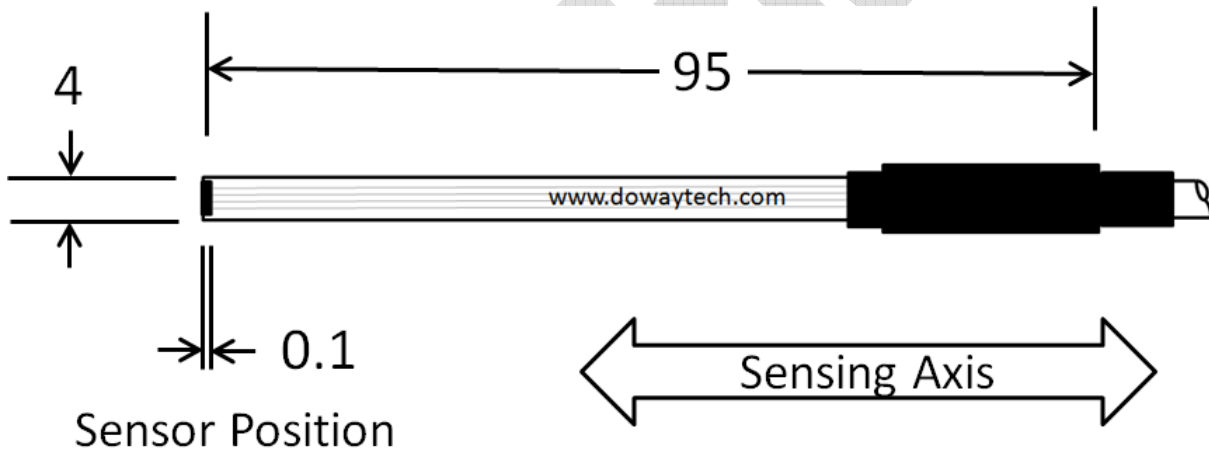
## Related Documents

- MDT USB Magnetometer User Manual
- High-Field Magnetometer Calibration Application Note

**USB Connector Dimensions**



**Rigid Probe Dimensions**



Sensor Position

USB Connector and Rigid Probe view units: mm



The information provided herein by MultiDimension Technology Co., Ltd. (hereinafter MultiDimension) is believed to be accurate and reliable. Publication neither conveys nor implies any license under patent or other industrial or intellectual property rights. MultiDimension reserves the right to make changes to product specifications for the purpose of improving product quality, reliability, and functionality. MultiDimension does not assume any liability arising out of the application and use of its products. MultiDimension's customers using or selling this product for use in appliances, devices, or systems where malfunction can reasonably be expected to result in personal injury do so at their own risk and agree to fully indemnify MultiDimension for any damages resulting from such applications. "MultiDimension", "MultiDimension Sensing the Future", and "MDT" are registered trademarks of MultiDimension Technology Co., Ltd.