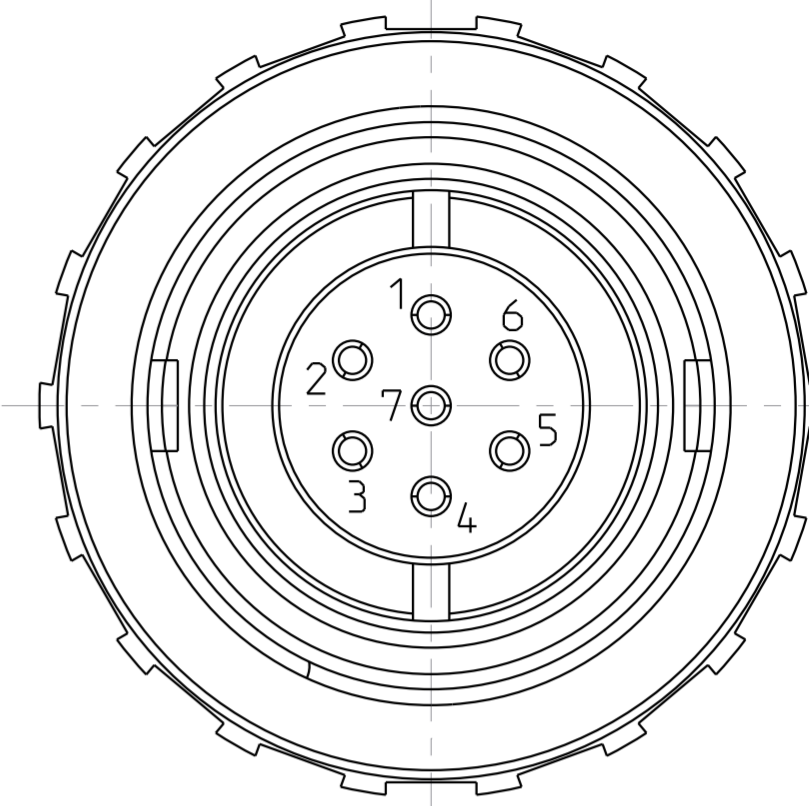
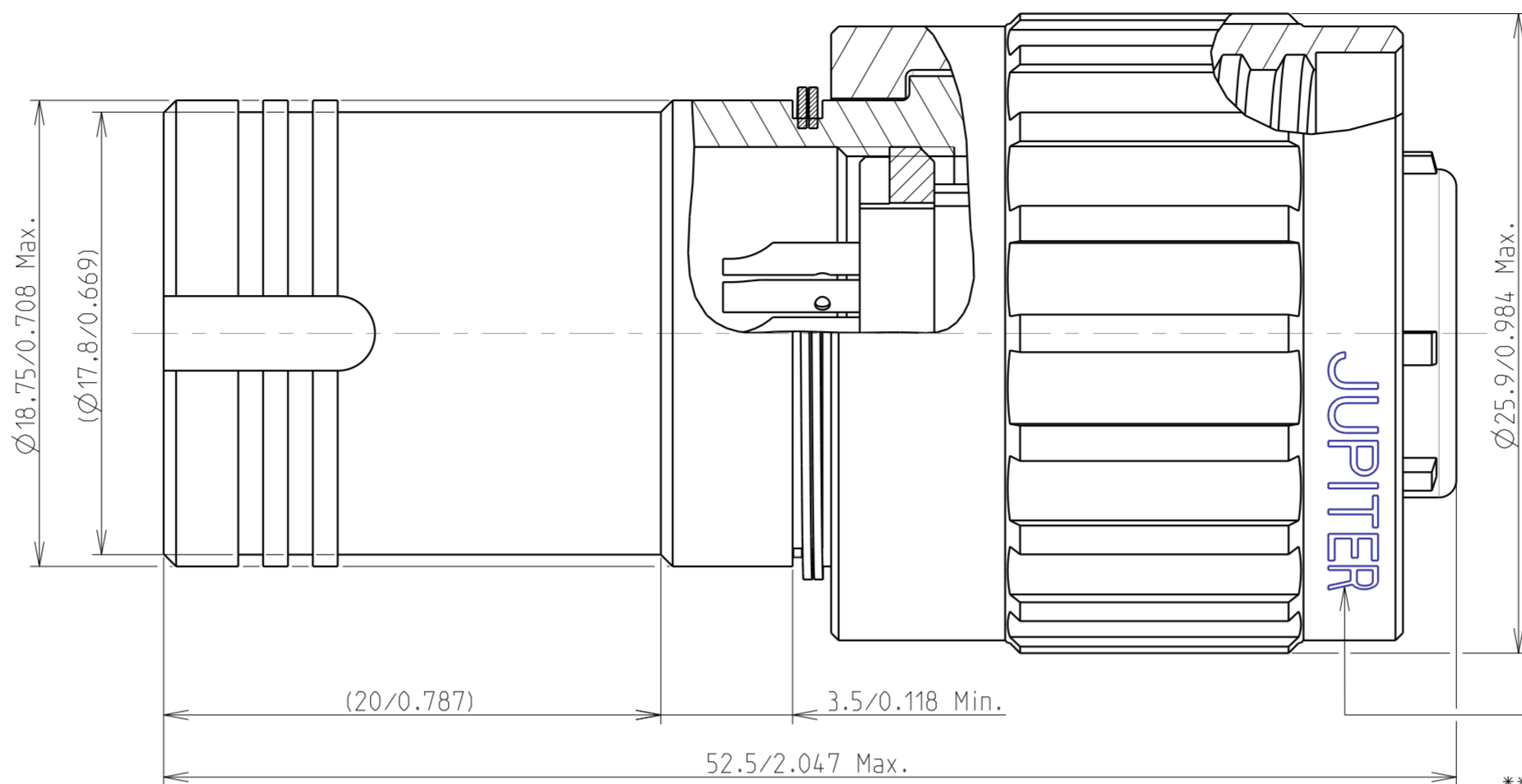
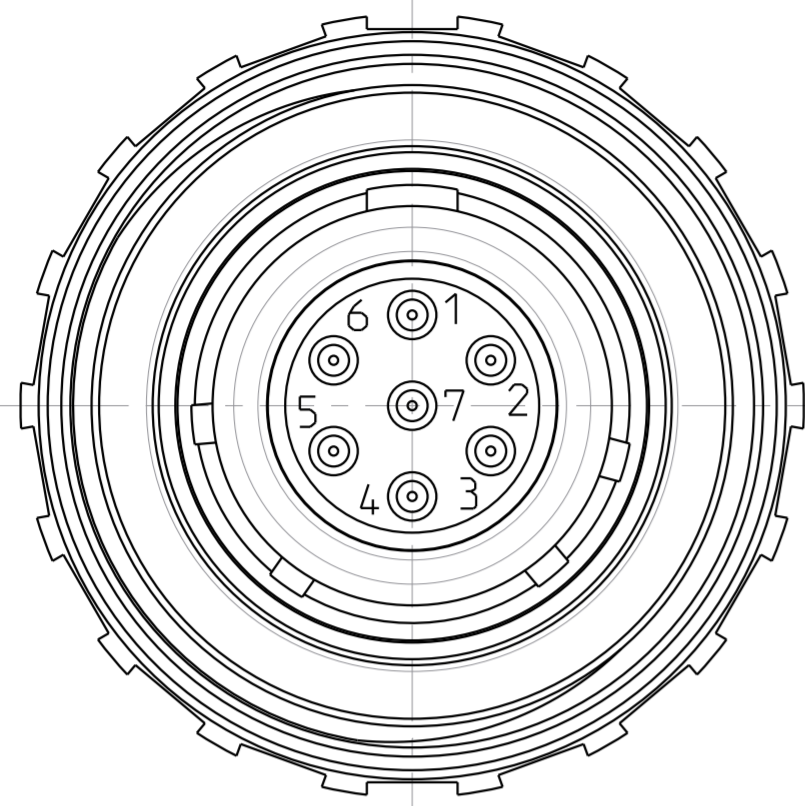


Country	Jurisdiction & Control List
FR	NOT LISTED

	critical dimension
	major dimension



MARQUAGE/MARKING

**** JUPITER FR FED10PL
 SEMAINE/WEEK
 ANNEE/YEAR

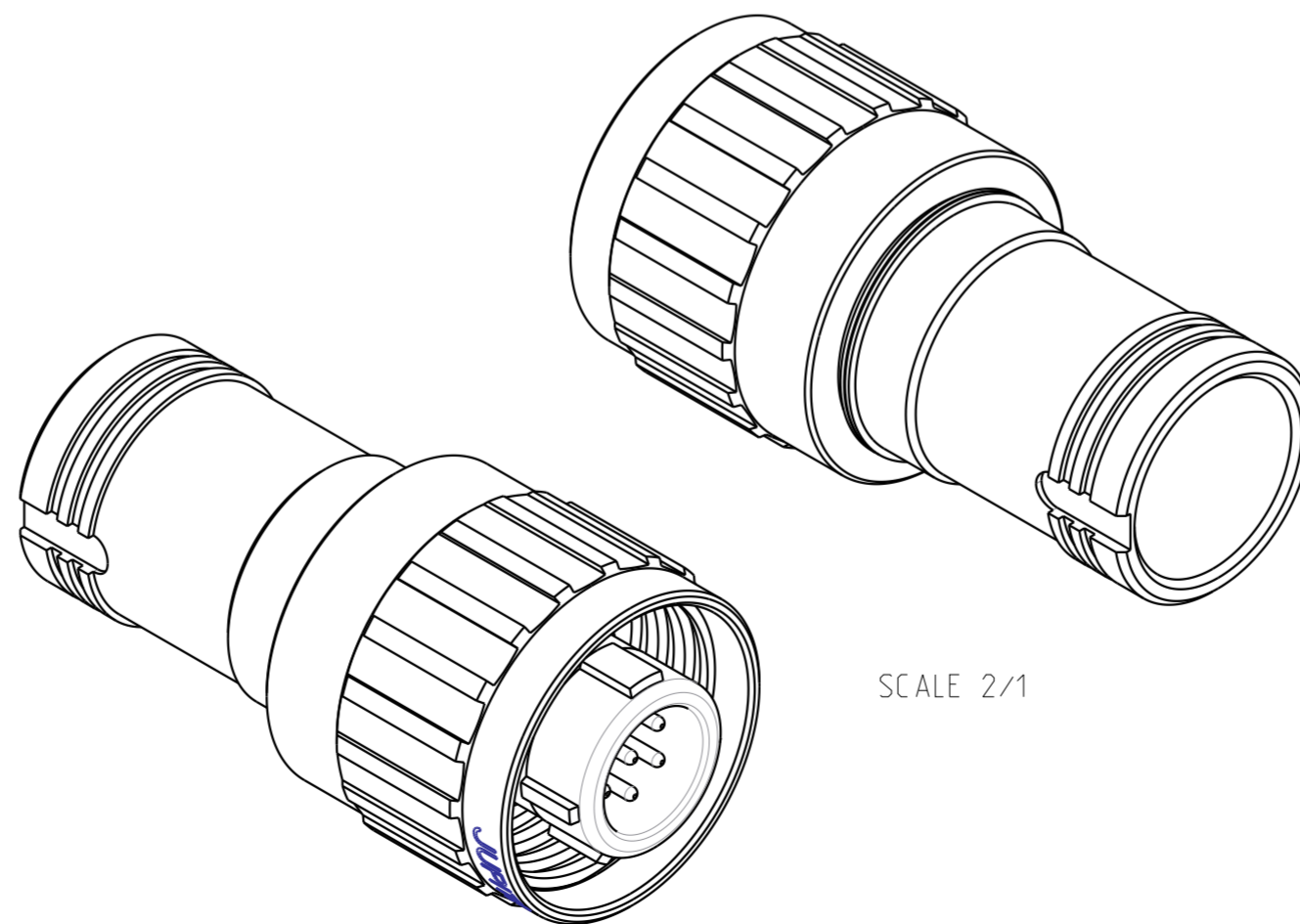
**REFERENCE COMMERCIALE
 PART NUMBER**

FEDM10PLN0720SAY

TYPE DE CONTACT/CONTACT TYPE
 M:MALE/PIN F:FEMELLE/SOCKET

MATIERE DE L'ISOLANT/INSERT MATERIAL
 N:PA6/6+MOS2(NYLATRON) T:PTFE(TEFLON)

ARRANGEMENT DES CONTACTS/CONTACT LAYOUTS
 VOIR ST1-PL54-0001/SEE ST1-PL54-0001



SCALE 2/1

A	11/07/16	Initial drawing			ORAIN	MEFFRE	DIFF
Iss	Date	MODIFICATIONS	A C	Designed by	Checked by	MOD N°	
			Naf.				
MATERIAL --			TREATMENT		PROTECTION/PLATING		
--			--		--		
--			--		CODE --		
DIMENSIONS ARE DEFINED BEFORE PLATING							
TITLE		FICHE DROITE FED SA / STRAIGHT PLUG FED SA TYPE				PROJECT	
		SERIE PL - TAILLE 10				PL54	
Material Reference Voir Référence Commerciale / See Part Number							
Generales tolerances ISO 2768			SOURIAU 3. RUE DU VALLON ZAC N°2 94440 MAROLLES-EN-BRIE (FRANCE) TEL. 33 (0)1 45 10 78 00				
Scale 4/1		General machining Surface texture		SOURIAU			
Geometrical Tolerances: NF EN ISO 1101			FORMAT		SOURIAU DRG N°		Iss
This document is the property of SOURIAU it must not be reproduced or communicated without permission.			A2		542F0130A9C		A SHEET 1/1