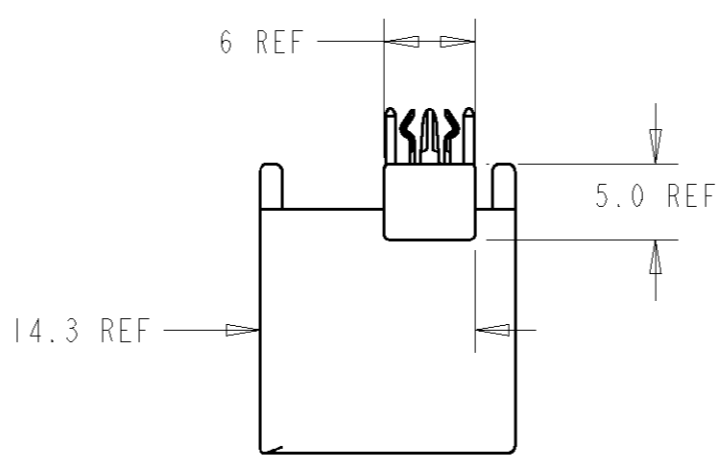
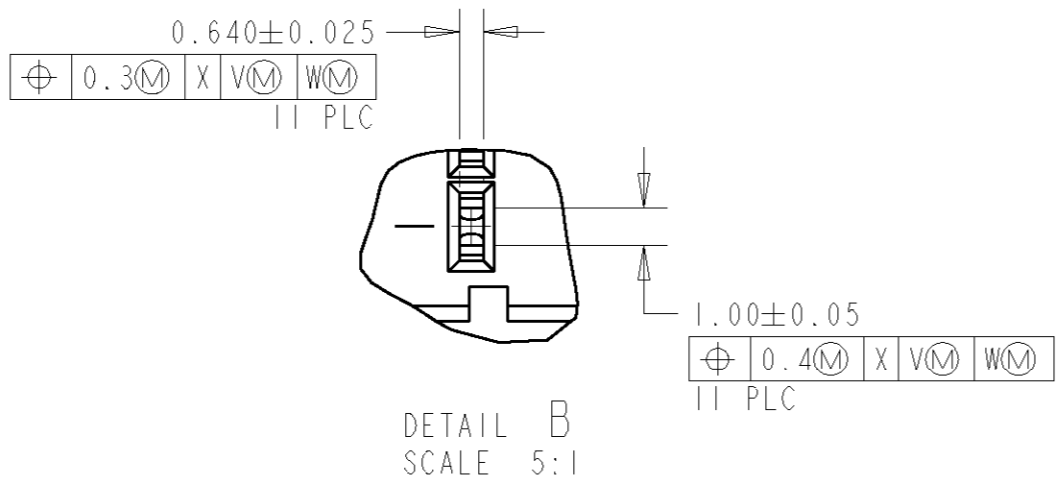
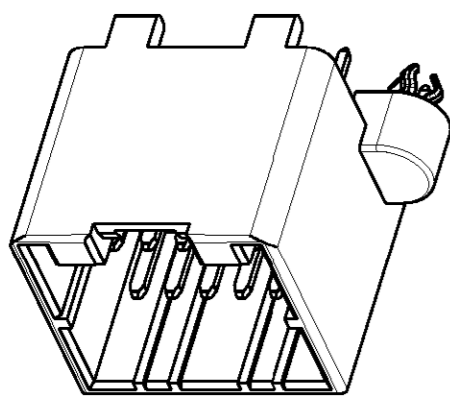
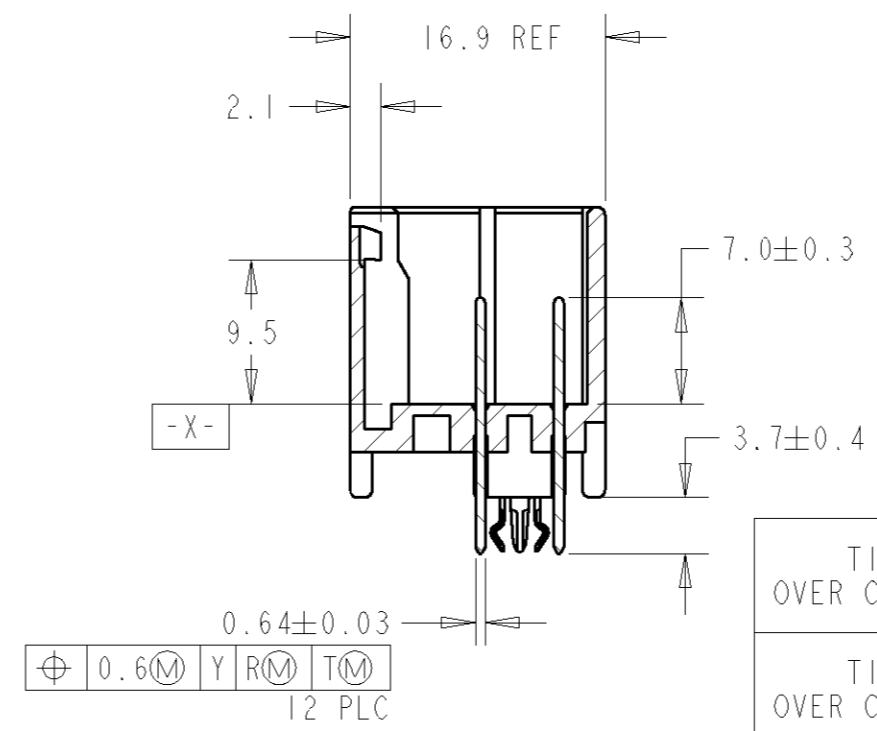
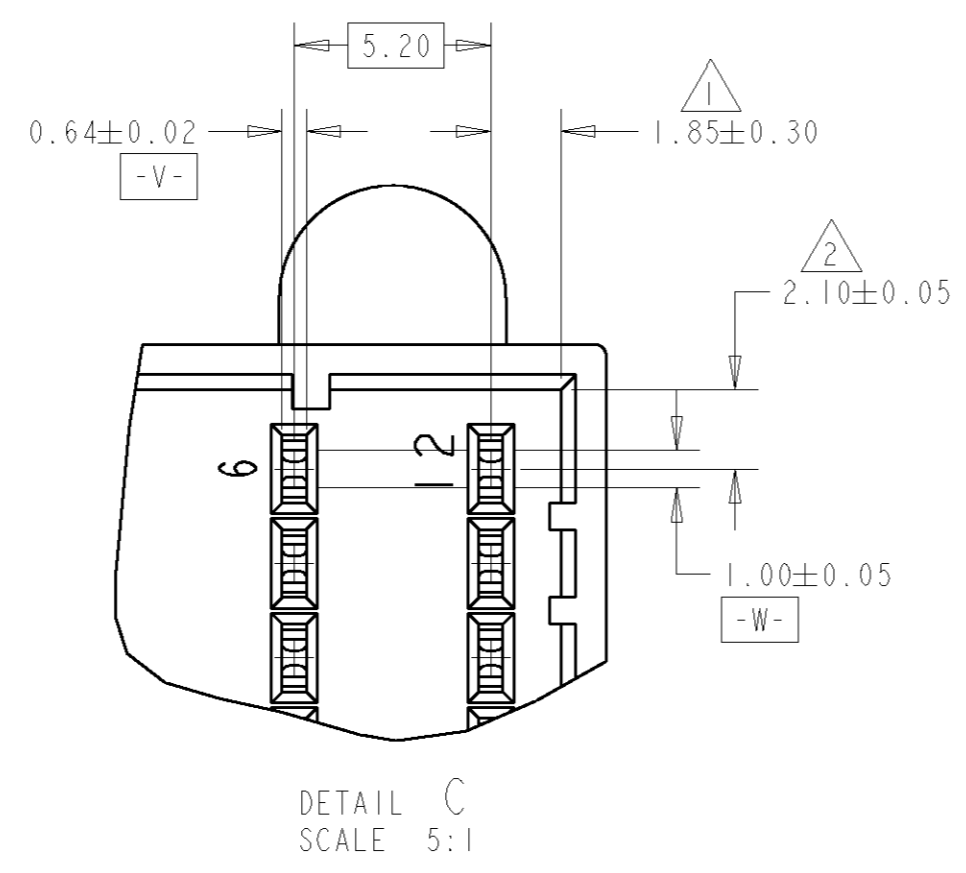
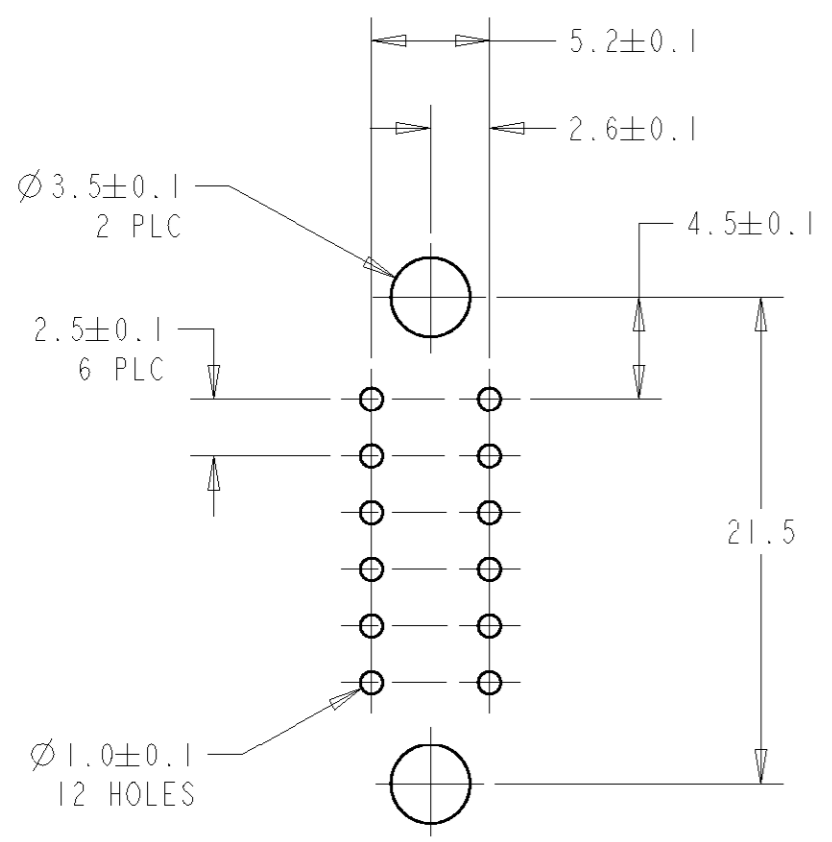
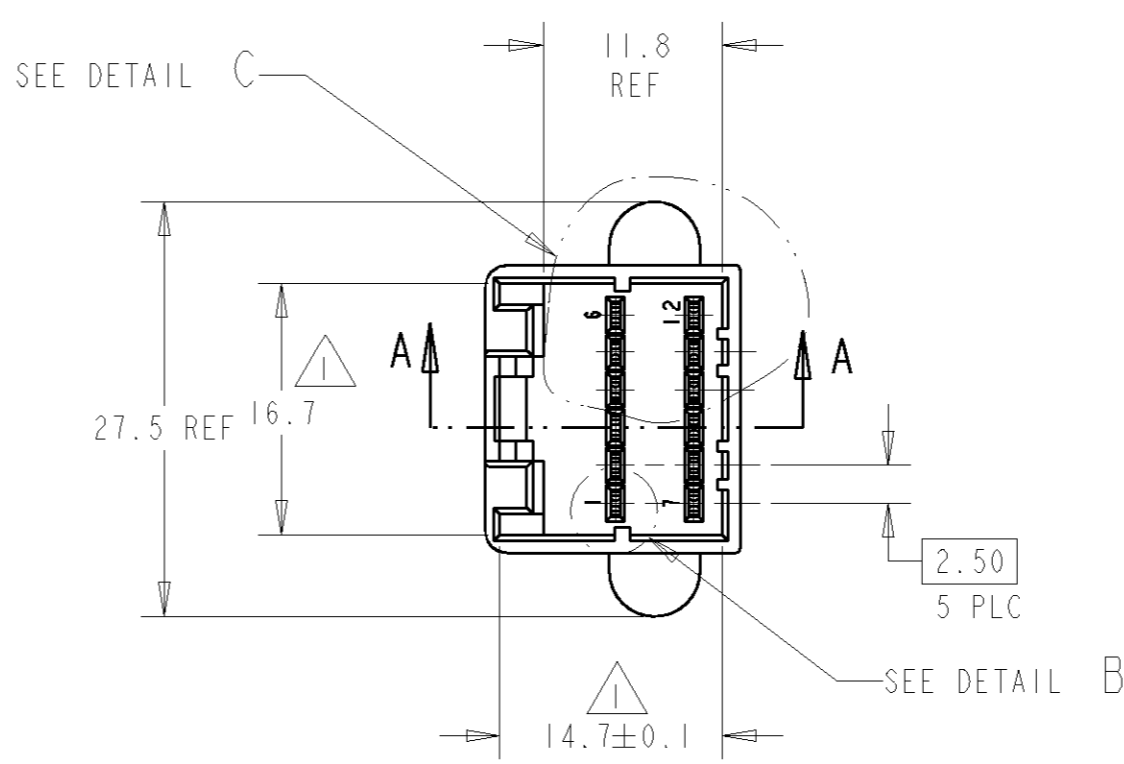
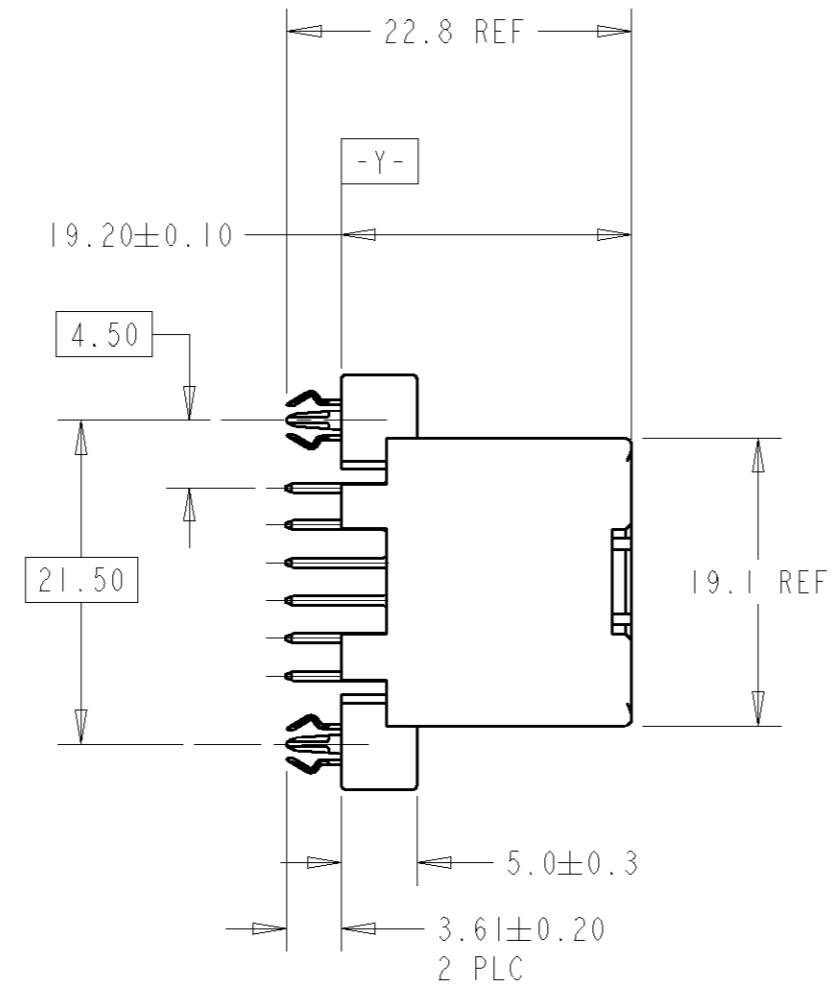
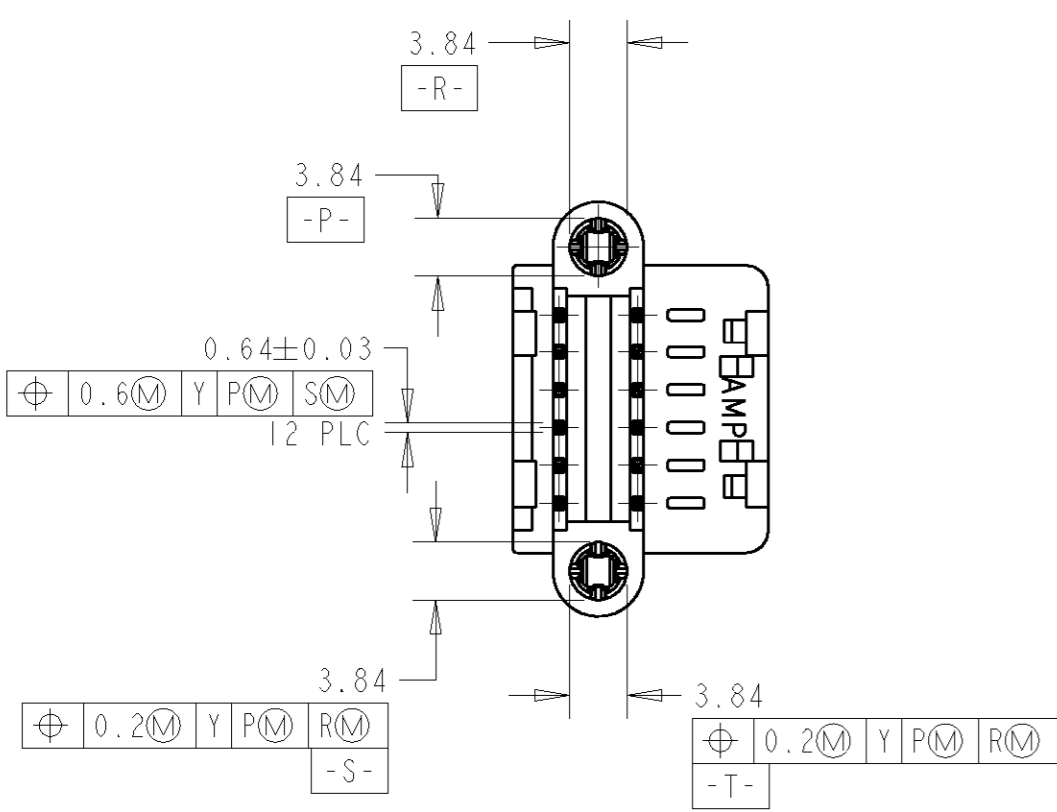


THIS DRAWING IS UNPUBLISHED. RELEASED FOR PUBLICATION  
 © COPYRIGHT 19 BY AMP INCORPORATED. ALL RIGHTS RESERVED.

REVISIONS					
P	LTR	DESCRIPTION	DATE	DWN	APVD
D		REV PER EC 0K80-0357-02	15APR2003	AH	SA
DI		REV PER 0K80-0399-03	04DEC2003	AG	SA



- NOTE
- TO BE MEASURED BETWEEN [-X-] AND 2mm FROM [-X-]
  - MATING PLUG HOUSING PART NUMBER, 174045
  - DATUMS AND BASIC DIMENSIONS ESTABLISHED BY CUSTOMER.
  - APPLICABLE P.C. BOARD THICKNESS 1.6mm



BOARDLOCK FINISH	CONTACT FINISH	CONTACT MATERIAL	COLOR	HOUSING MATERIAL	PART NUMBER
TIN OVER COPPER	TIN OVER COPPER	BRASS	BLACK	HTN	638232-2
TIN OVER COPPER	TIN OVER COPPER	BRASS	NATURAL	HTN	638232-1

THIS DRAWING IS A CONTROLLED DOCUMENT FOR AMP INCORPORATED. IT IS SUBJECT TO CHANGE AND THE CONTROLLING ENGINEERING ORGANIZATION SHOULD BE CONTACTED FOR THE LATEST REVISION.

DWN	R. CORE	11FEB99
CHK	M. MENDYK	11FEB99
APVD	M. MENDYK	11FEB99

**AMP** AMP Incorporated  
Harrisburg, PA 17105-3608

NAME: ASSY, CAP III, .040 12P VERT. MOUNT

SIZE	CAGE CODE	DRAWING NO	RESTRICTED TO
A2	00779	638232	-

CUSTOMER DRAWING SCALE 2/1 SHEET 1 OF 1 REV DI