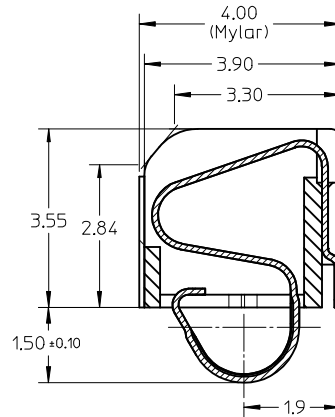
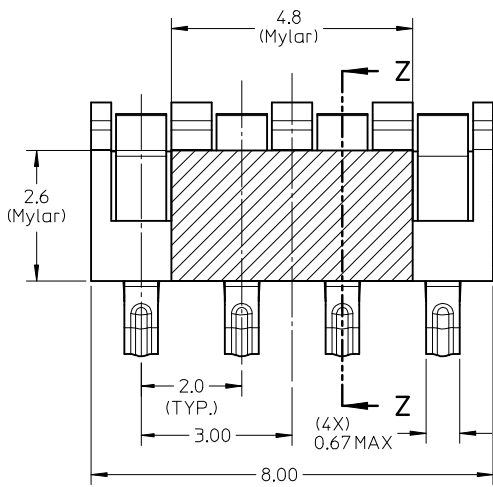
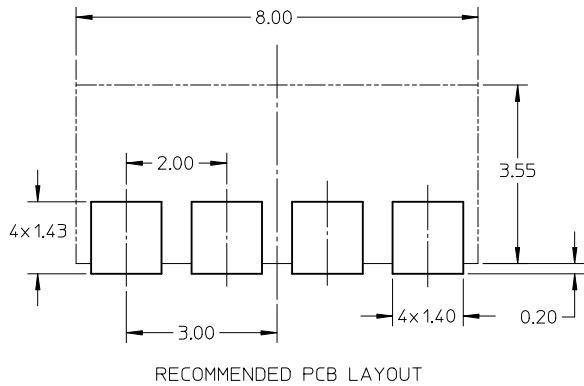
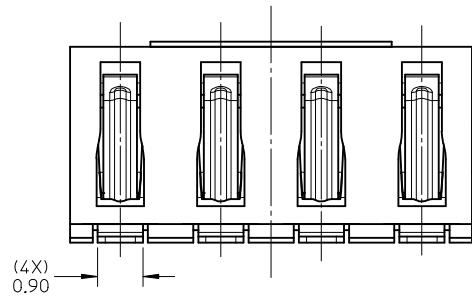
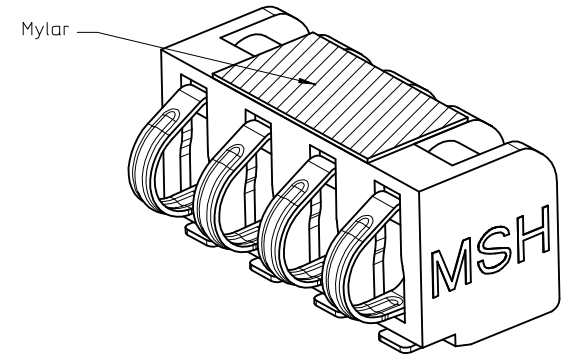


10 9 8 7 6 5 4 3 2 1



SECTION Z-Z



NOTE:

1. MATERIAL:

HOUSING: LCP, 30% GLASS-FILLED, UL 94V-0, COLOR IS BLACK
 TERMINAL: COPPER ALLOY, 0.12 MM BeCu

2. FINISH:

CONTACT AREA: 30-50 MICRO INCHES GOLD PLATING OVER 50-140 MICRO INCHES NICKEL
 SOLDER AREA: 3 MICRO MIN GOLD FLASH OVER 50-140 MICRO INCHES NICKEL
 REST AREA: 50-140 MICRO INCHES NICKEL

3. RECOMMENED WORKING RANGE 1.05 ~ 0.55 MM.

4. COPLANARITY: 0.1 MAX AMONG THESE SOLDER TAILS.

5. PRODUCT SPECIFICATION: PS-47531-001

475310011	4 PIN BATTERY CONNECTOR WITHOUT MYLAR		
475310001	4 PIN BATTERY CONNECTOR WITH MYLAR		
PART NUMBER	DESCRIPTION		
DIMENSION STYLE	SCALE	DESIGN UNITS	THIRD ANGLE PROJECTION
MM ONLY	10:1	METRIC	

NEW PRODUCT EC NO: SH2007-0529 DRWN: YLZHU02 2007/02/06 CHKD: XUXIANG 2007/02/06 APPR: JINCHEN 2007/02/15	QUALITY SYMBOLS	GENERAL TOLERANCES (UNLESS SPECIFIED)
	▽=0	mm INCH
	▽=0	4 PLACES ± --- ± ---
		3 PLACES ± --- ± ---
		2 PLACES ± 0.15 ± ---
		1 PLACE ± 0.25 ± ---
		ANGULAR ± 5 °

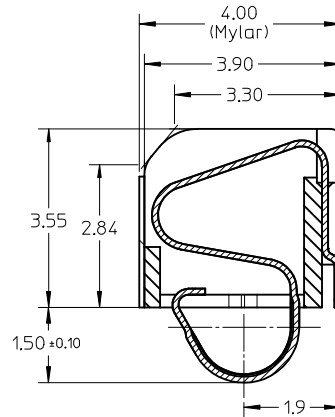
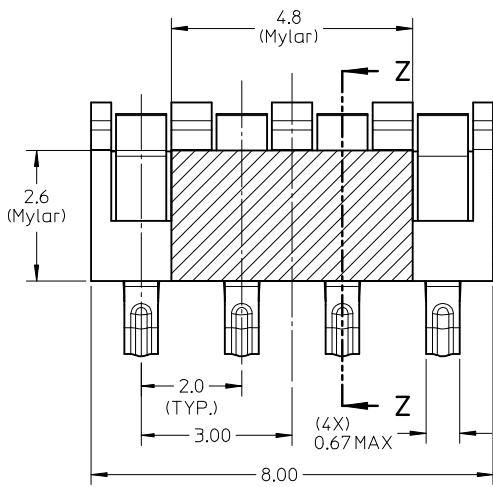
DRAFT WHERE APPLICABLE
 MUST REMAIN WITHIN DIMENSIONS

DRAWN BY	DATE	TITLE
YLZHU02	2007/01/30	ASSEMBLY DRAWING
CHECKED BY	DATE	4 PIN BATTERY CONNECTOR
XIXU	2007/01/31	2.0MM PITCH
APPROVED BY	DATE	
JNCHEN	2007/01/31	
MATERIAL NO.	DOCUMENT NO.	
SEE TABLE	SD-47531-001	

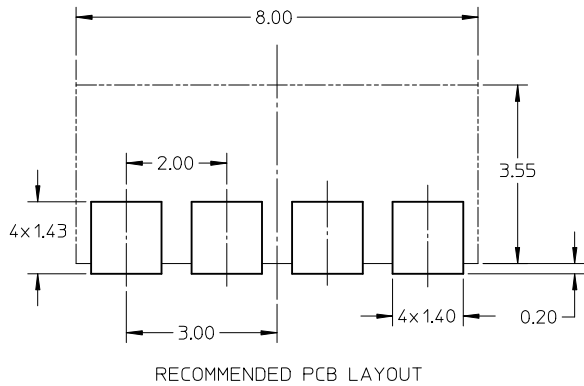
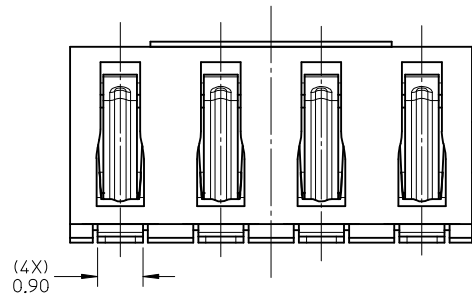
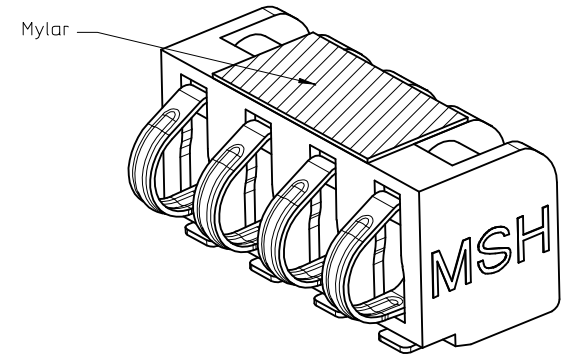
MOLEX INCORPORATED		SHEET NO.
		1 OF 1
THIS DRAWING CONTAINS INFORMATION THAT IS PROPRIETARY TO MOLEX INCORPORATED AND SHOULD NOT BE USED WITHOUT WRITTEN PERMISSION		

9 8 7 6 5 4 3 2 1

10 9 8 7 6 5 4 3 2 1



SECTION Z-Z



NOTE:

1. MATERIAL:

HOUSING: LCP, 30% GLASS-FILLED, UL 94V-0, COLOR IS BLACK
 TERMINAL: COPPER ALLOY, 0.12 MM BeCu

2. FINISH:

CONTACT AREA: 30-50 MICRO INCHES GOLD PLATING OVER 50-140 MICRO INCHES NICKEL
 SOLDER AREA: 3 MICRO MIN GOLD FLASH OVER 50-140 MICRO INCHES NICKEL
 REST AREA: 50-140 MICRO INCHES NICKEL

3. RECOMMENED WORKING RANGE 1.05 ~ 0.55 MM.

4. COPLANARITY: 0.1 MAX AMONG THESE SOLDER TAILS.

5. PRODUCT SPECIFICATION: PS-47531-001

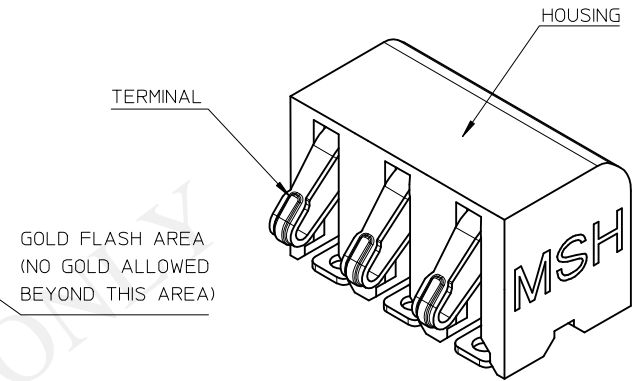
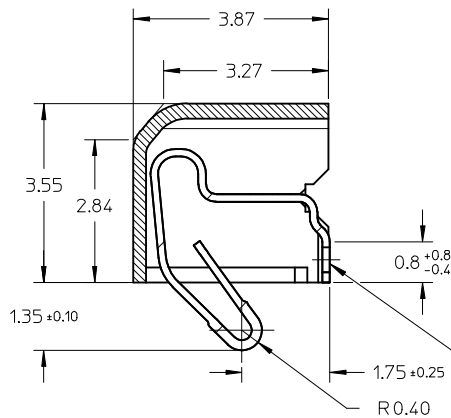
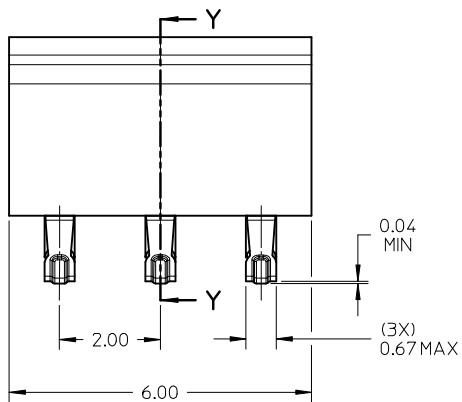
475310011	4 PIN BATTERY CONNECTOR WITHOUT MYLAR		
475310001	4 PIN BATTERY CONNECTOR WITH MYLAR		
PART NUMBER	DESCRIPTION		
DIMENSION STYLE	SCALE	DESIGN UNITS	THIRD ANGLE PROJECTION
MM ONLY	10:1	METRIC	

NEW PRODUCT	EC NO: SH2007-0529	DRWN: YLZHU02	2007/02/06	CHKD: XUXIANG	2007/02/06	APPR: JINCHEN	2007/02/15
REV	DESCRIPTION						
A							

QUALITY SYMBOLS	GENERAL TOLERANCES (UNLESS SPECIFIED)
▽=0	4 PLACES ± --- ± ---
▽=0	3 PLACES ± --- ± ---
	2 PLACES ± 0.15 ± ---
	1 PLACE ± 0.25 ± ---
	ANGULAR ± 5 °
	DRAFT WHERE APPLICABLE MUST REMAIN WITHIN DIMENSIONS

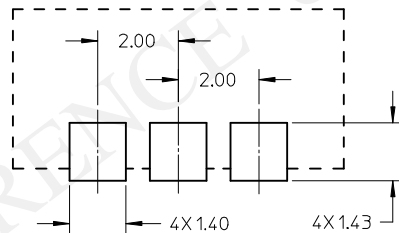
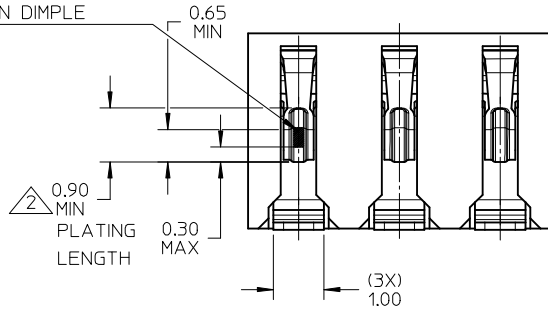
DRAWN BY	DATE	TITLE
YLZHU02	2007/01/30	ASSEMBLY DRAWING
CHECKED BY	DATE	4 PIN BATTERY CONNECTOR
XIXU	2007/01/31	2.0MM PITCH
APPROVED BY	DATE	MOLEX INCORPORATED
JNCHEN	2007/01/31	
MATERIAL NO.	DOCUMENT NO.	SHEET NO.
SEE TABLE	SD-47531-001	1 OF 1
THIS DRAWING CONTAINS INFORMATION THAT IS PROPRIETARY TO MOLEX INCORPORATED AND SHOULD NOT BE USED WITHOUT WRITTEN PERMISSION		

9 8 7 6 5 4 3 2 1



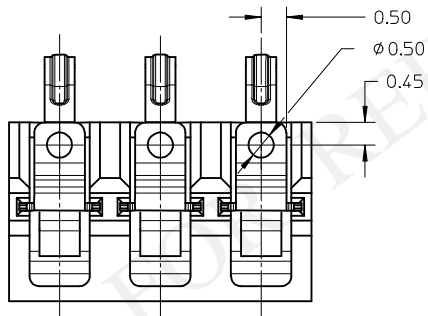
SECTION Y-Y

CONTACT AREA ON DIMPLE



NOTES :

- MATERIAL :
HOUSING: LCP, 30% GLASS FILLED, UL94V-0, COLOR: BLACK
TERMINAL: COPPER ALLOY, 0.15 BECU C17200 290 TM06
- FINISH :
CONTACT AREA ON DIMPLE : 30 MICRO INCHES MIN GOLD PLATING OVER 50 MICRO INCHES MIN NICKEL.
GOLD FLASH ON PLATING LENGTH
SOLDER AREA : GOLD FLASH OVER 50 MICRO MIN INCHES NICKEL
REST AREA :50 MICRO INCHES MIN NICKEL
- RECOMMENED WORKING RANGE 1.05~0.55 MM.
- COPLANARITY : 0.08MAX AMONG THESE SOLDER TAILS.
- PRODUCT SPECIFICATION : PS-47615-001.



PROPOSED EC NO: SH2013-0331 DRWN:RL109 2012/02/01 CHKD: APPR:RL109 2013/04/10	QUALITY SYMBOLS	GENERAL TOLERANCES (UNLESS SPECIFIED)	DIMENSION STYLE	SCALE	DESIGN UNITS	THIRD ANGLE PROJECTION
	$F_A=0$ $F_G=0$ $F_P=0$	mm INCH 4 PLACES ± --- ± --- 3 PLACES ± --- ± --- 2 PLACES ± 0.25 ± --- 1 PLACE ± 0.25 ± --- ANGULAR ± 3 °	MM ONLY	10:1	METRIC	
			DRAWN BY: RL109 CHECKED BY: APPROVED BY: RL109 DATE: 2012/02/01 DATE: 2013/04/10	TITLE	3 CKTS BATTERY CONNECTOR	
		DRAFT WHERE APPLICABLE MUST REMAIN WITHIN DIMENSIONS	MATERIAL NO. 476150020	DOCUMENT NO. SD-47615-020	MOLEX INCORPORATED SHEET NO. 1 OF 1	