

GlobTek, Inc. www.globtek.com 186 Veterans Drive, Northvale, NJ 07647 Tel. (201) 784-1000 Fax (201) 784-0111	Drawing Title: GT-91087-1524, POE PD Module DC/DC, Efficiency Level: , Case Color/Style: PCB, PCB Mounted/DIP, Power Over Ethernet Powered Device Converter (IEEE802.3af PoE PD) Power Supply AC Adaptor, Input Rating: 36-60 VDC, Terminals , Output Rating: 15W, 24.0V@0.64A, Output Configuration: 4-Pin pitch 2.5 mm CONNECTOR, GT Connector # C23130, Pin Out: Pin 6,7 (V-) & Pin 8,9: (V+), Blades/Input Cord: Not Applicable, Approvals: RoHS; China RoHS;	
	Model No. GT-91087-1524	
	Part No./Ordering No. GT-91087-1524(R)	Rev A

In Addition to GlobTek Inc.'s renewed ISO9001:2015 - Quality Management System Certification, GlobTek Inc. is now certified to:

ISO13485:2016 - Medical Devices Quality Management System Certification

ISO14001:2015 - Environmental Management System Certification

ISO Certificates are available online at <https://www.globtek.com/iso-certificates/>

The acceptance of this specification and use of the product described in this document indicates the acceptance and binding of the customer to Globtek TERMS AND CONDITIONS (attached to the end of this document), which supersede all other agreements, terms, and conditions (<https://en.globtek.com/terms-and-conditions/>).

The purchaser of this product (Customer) agrees that it is their sole responsibility to determine suitability/fitness of the product described in this specification for their application and to take precautions for protection against any hazards attendant to the handling and use of the product.

Footnote:

GlobTek Inc. will not be liable for the safety and performance of these power supplies/battery packs if unauthorized access and repair occurs. End user should consult applicable UL, CSA or EN standards for proper installation instruction.

Limitation of Use:

GlobTek products are intended for use with commercial, medical, and/or industrial equipment only. GlobTek product are not authorized for use as mission critical components in life support hazardous environment, nuclear or aircraft applications without prior written approval from the CEO of GlobTek Inc.

Contents of this document are subject to change without prior notice.

Customer Approval of Specification:

Please approve, sign and send back to GlobTek so we can complete order processing.

A delay in receipt of this form will delay delivery schedule.

Company Name: _____	Customer P/N: _____
Quote Number: _____	Date: _____
Authorized Representative Name: _____	Authorized Representative Signature: _____

GlobTek, Inc. www.globtek.com 186 Veterans Drive, Northvale, NJ 07647 Tel. (201) 784-1000 Fax (201) 784-0111	Drawing Title: GT-91087-1524, POE PD Module DC/DC, Efficiency Level: , Case Color/Style: PCB, PCB Mounted/DIP, Power Over Ethernet Powered Device Converter (IEEE802.3af PoE PD) Power Supply AC Adaptor, Input Rating: 36-60 VDC, Terminals , Output Rating: 15W, 24.0V@0.64A, Output Configuration: 4-Pin pitch 2.5 mm CONNECTOR, GT Connector # C23130, Pin Out: Pin 6,7 (V-) & Pin 8,9: (V+), Blades/Input Cord: Not Applicable, Approvals: RoHS; China RoHS;	
	Model No. GT-91087-1524	Part No./Ordering No. GT-91087-1524(R)
		Rev A

REVISION HISTORY

REV	DESCRIPTION	SUB	DATE	APPROVED
A	Initial release	QA	05/21/2019	QA

POWER SUPPLY INFORMATION

TYPE	PCB Mounted/DIP
TECHNOLOGY	Power Over Ethernet Powered Device Converter (IEEE802.3af PoE PD) Power Supply AC Adaptor
CASE COLOR	PCB
NAMEPLATE RATED INPUT	36-60 VDC, 0.5A
INPUT CONFIG	Terminals
WATTS	15.00
VOLTS OUT	24.0
CURRENT OUT (Amps)	0.64
BLADE/CORD INCLUDED	N/A Not Applicable
BLADE/CORD INSTALLED	N/A :Not Applicable
INGRESS PROTECTION	
GROUNDING CONFIGURATION	(X1) Not a power supply (Not applicable)
EFFICIENCY LEVEL	
OUTPUT CONFIGURATION	4-Pin pitch 2.5 mm CONNECTOR, GT Connector # C23130
OVERMOLDED	No
CONNECTOR PIN OUT	Pin 6,7 (V-) & Pin 8,9: (V+)
LABEL SPECS	Standard GT,L-1186
SPECIAL BARCODE LABEL MATERIAL	No
PACK SPEC	Packing for GT-91087
USER MANUAL	

GlobTek, Inc. www.globtek.com 186 Veterans Drive, Northvale, NJ 07647 Tel. (201) 784-1000 Fax (201) 784-0111	Drawing Title: GT-91087-1524, POE PD Module DC/DC, Efficiency Level: , Case Color/Style: PCB, PCB Mounted/DIP, Power Over Ethernet Powered Device Converter (IEEE802.3af PoE PD) Power Supply AC Adaptor, Input Rating: 36-60 VDC, Terminals , Output Rating: 15W, 24.0V@0.64A, Output Configuration: 4-Pin pitch 2.5 mm CONNECTOR, GT Connector # C23130, Pin Out: Pin 6,7 (V-) & Pin 8,9: (V+), Blades/Input Cord: Not Applicable, Approvals: RoHS; China RoHS;	
	Model No. GT-91087-1524	
	Part No./Ordering No. GT-91087-1524(R)	Rev A

Notes/Modifications/Customizations (notes in this section supersede the values shown in the standard spec)

DIMENSIONS ARE IN MM UNLESS SPECIFIED OTHERWISE

GlobTek, Inc. www.globtek.com 186 Veterans Drive, Northvale, NJ 07647 Tel. (201) 784-1000 Fax (201) 784-0111	Drawing Title: GT-91087-1524, POE PD Module DC/DC, Efficiency Level: , Case Color/Style: PCB, PCB Mounted/DIP, Power Over Ethernet Powered Device Converter (IEEE802.3af PoE PD) Power Supply AC Adaptor, Input Rating: 36-60 VDC, Terminals , Output Rating: 15W, 24.0V@0.64A, Output Configuration: 4-Pin pitch 2.5 mm CONNECTOR, GT Connector # C23130, Pin Out: Pin 6,7 (V-) & Pin 8,9: (V+), Blades/Input Cord: Not Applicable, Approvals: RoHS; China RoHS;	
	Model No. GT-91087-1524	
	Part No./Ordering No. GT-91087-1524(R)	Rev A

ELECTRICAL SPECIFICATIONS

A) ELECTRICAL SPECIFICATIONS:

01. DC Input Voltage: 36 – 60V
02. Output Regulation: +/- 5% measured at the output connector
03. Line Voltage Regulation: +/- 0.2% typical measured at the output connector
04. Output Ripple (Vp-p): 1% or 100mV max, measured at 20 MHz bandwidth with 0.1 uf ceramic capacitor in parallel with a low impedance 47 uf electrolytic capacitor connected at the output
05. Switching Frequency: 100 KHz typical
06. Efficiency : 80% typ

B) PROTECTION

01. Under Voltage Lockout: 30Vdc
02. Short Circuit: Protected unit will auto recover upon removal of fault
03. Current Limiting: 110% to 175% of output rating
04. Thermal: Internally protected against over-temperature conditions

C) SAFETY & EMC

01. Isolation Voltage : 1000Vdc
02. Isolation Resistance :100M ohms (min)
03. Designed to UL/EN/IEC 60950-1
04. Meet FCC Class B standard
05. Meet EN55022 Class B standard

D) OTHER:

01. MTBF: 200,000 Hours @ 25°C ambient temperature
02. Operating Temperature: -15°C to 65°C ambient temperature
03. Humidity: 0% to 90% relative humidity
04. Storage Temperature: -40°C to 85°C
05. Cooling: Free air cooling
06. Interoperability: Complies with IEEE 802.3 AF, tested by UNH-iOL
07. Input Set Classification Resistance : 24.9K ohms

E) ENCLOSURE

01. SIZE : 68*14*19 (L*W*H)m/m
02. Markings: Label and/or Pad Printed and/or Molded in the case

F) OPTIONS

01. Tighter output voltage regulation, +/- 2% or +/-3%
02. Reduced Vp-p Output Ripple
03. Custom Output Voltage, in 0.1V increment

PROPRIETARY INFORMATION

PROPRIETARY OF GLOBTEK, INC. ANY REPRODUCTION, DISCLOSURE OR USE OF THIS DRAWING, IN WHOLE OR IN PART, IS HEREBY PROHIBITED EXCEPT AS SPECIFIED IN WRITING BY GLOBTEK, INC. © GlobTek, Inc. 2016 - 2023

GlobTek, Inc. www.globtek.com 186 Veterans Drive, Northvale, NJ 07647 Tel. (201) 784-1000 Fax (201) 784-0111	Drawing Title: GT-91087-1524, POE PD Module DC/DC, Efficiency Level: , Case Color/Style: PCB, PCB Mounted/DIP, Power Over Ethernet Powered Device Converter (IEEE802.3af PoE PD) Power Supply AC Adaptor, Input Rating: 36-60 VDC, Terminals , Output Rating: 15W, 24.0V@0.64A, Output Configuration: 4-Pin pitch 2.5 mm CONNECTOR, GT Connector # C23130, Pin Out: Pin 6,7 (V-) & Pin 8,9: (V+), Blades/Input Cord: Not Applicable, Approvals: RoHS; China RoHS;	
	Model No. GT-91087-1524	
	Part No./Ordering No. GT-91087-1524(R)	Rev A

TO ADDRESS SYSTEM-LEVEL EMI CONCERNS, FERRITE CHOKES/BEADS MAY BE ADDED/REVISED UPON REQUEST. A SAMPLE KIT OF GLOBTEK'S STANDARD FERRITES IS AVAILABLE UNDER GLOBTEK P/N: EMI-MITIGATION-KIT1

FOR ADDITIONAL INFORMATION, PLEASE READ OUR WHITE PAPER AT: <https://r.globtek.info/3QeaqtD>

GlobTek, Inc. www.globtek.com 186 Veterans Drive, Northvale, NJ 07647 Tel. (201) 784-1000 Fax (201) 784-0111	Drawing Title: GT-91087-1524, POE PD Module DC/DC, Efficiency Level: , Case Color/Style: PCB, PCB Mounted/DIP, Power Over Ethernet Powered Device Converter (IEEE802.3af PoE PD) Power Supply AC Adaptor, Input Rating: 36-60 VDC, Terminals , Output Rating: 15W, 24.0V@0.64A, Output Configuration: 4-Pin pitch 2.5 mm CONNECTOR, GT Connector # C23130, Pin Out: Pin 6,7 (V-) & Pin 8,9: (V+), Blades/Input Cord: Not Applicable, Approvals: RoHS; China RoHS;	
	Model No. GT-91087-1524	
	Part No./Ordering No. GT-91087-1524(R)	Rev A

Mechanical drawing



GlobTek, Inc.
www.globtek.com
186 Veterans Drive,
Northvale, NJ 07647
Tel. (201) 784-1000
Fax (201) 784-0111

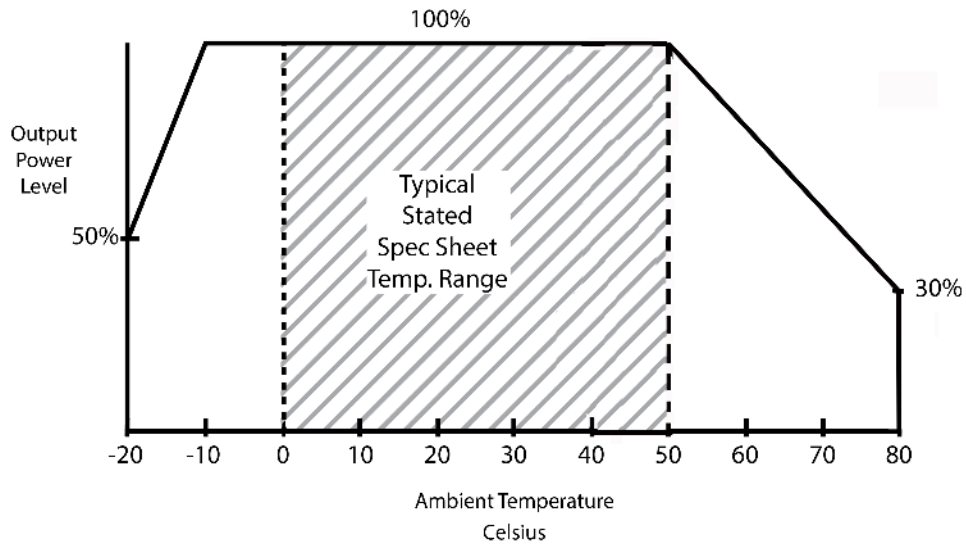
Drawing Title: GT-91087-1524, POE PD Module DC/DC, Efficiency Level: , Case Color/Style: PCB, PCB Mounted/DIP, Power Over Ethernet Powered Device Converter (IEEE802.3af PoE PD) Power Supply AC Adaptor, Input Rating: 36-60 VDC, Terminals , Output Rating: 15W, 24.0V@0.64A, Output Configuration: 4-Pin pitch 2.5 mm CONNECTOR, GT Connector # C23130, Pin Out: Pin 6,7 (V-) & Pin 8,9: (V+), Blades/Input Cord: Not Applicable, Approvals: RoHS; China RoHS;

Model No. GT-91087-1524

Part No./Ordering No. GT-91087-1524(R)

Rev A

DERATING CURVE



GlobTek, Inc. www.globtek.com 186 Veterans Drive, Northvale, NJ 07647 Tel. (201) 784-1000 Fax (201) 784-0111	Drawing Title: GT-91087-1524, POE PD Module DC/DC, Efficiency Level: , Case Color/Style: PCB, PCB Mounted/DIP, Power Over Ethernet Powered Device Converter (IEEE802.3af PoE PD) Power Supply AC Adaptor, Input Rating: 36-60 VDC, Terminals , Output Rating: 15W, 24.0V@0.64A, Output Configuration: 4-Pin pitch 2.5 mm CONNECTOR, GT Connector # C23130, Pin Out: Pin 6,7 (V-) & Pin 8,9: (V+), Blades/Input Cord: Not Applicable, Approvals: RoHS; China RoHS;	
	Model No. GT-91087-1524	Part No./Ordering No. GT-91087-1524(R)
		Rev A

INPUT CONFIGURATION

(X1) Not a power supply (Not applicable)

[Alternate grounding configurations](#) available upon request.

Blades/Cord Included:N/A:Not Applicable

Blades/Cord Installed:N/A:Not Applicable

Pin 1: N/C, Pin 2,3:-V, Pin 4,5: +V

GlobTek, Inc. www.globtek.com 186 Veterans Drive, Northvale, NJ 07647 Tel. (201) 784-1000 Fax (201) 784-0111	Drawing Title: GT-91087-1524, POE PD Module DC/DC, Efficiency Level: , Case Color/Style: PCB, PCB Mounted/DIP, Power Over Ethernet Powered Device Converter (IEEE802.3af PoE PD) Power Supply AC Adaptor, Input Rating: 36-60 VDC, Terminals , Output Rating: 15W, 24.0V@0.64A, Output Configuration: 4-Pin pitch 2.5 mm CONNECTOR, GT Connector # C23130, Pin Out: Pin 6,7 (V-) & Pin 8,9: (V+), Blades/Input Cord: Not Applicable, Approvals: RoHS; China RoHS;	
	Model No. GT-91087-1524	
	Part No./Ordering No. GT-91087-1524(R)	Rev A

OUTPUT CORD AND CONNECTOR: PCB-4 PIn pitch/C23130

ACTUAL CONNECTORS, OVERMOLDS, FERRITES MAY VARY SLIGHTLY FROM THE PICTURE BELOW

CABLE TYPE	PCB Mounted
CABLE LENGTH (mm)	0
CABLE TOLERANCE (mm)	
WIRE GAUGE (AWG)	
CONDUCTORS	
HANK DIMENSION (mm)	
CABLE / CONNECTOR OVERMOLD COLOR	
FERRITE TYPE AND DIMENSION	None
FERRITE NUMBER OF TURNS (Definition)	N/A
FERRITE DIMENSION FROM STRAIN RELIEF	N/A
FERRITE DIMENSION FROM PLUG	N/A
PLUG TYPE	4-Pin pitch 2.5 mm CONNECTOR
OVERMOLDED	No
CONNECTOR PIN OUT	Pin 6,7 (V-) & Pin 8,9: (V+)

ADDITIONAL OUTPUT PLUG OPTIONS ARE AVAILABLE AT <https://www.globtek.com/connectors/>

STANDARD PLUGS AND CONNECTORS CAN BE SEEN ONLINE AT <https://www.globtek.com/connectors/>

CALCULATE VOLTAGE REGULATION/DROP WITH OUR ONLINE CALCULATOR: <https://en.globtek.com/output-cable-regulation-calculator/>

GlobTek, Inc. www.globtek.com 186 Veterans Drive, Northvale, NJ 07647 Tel. (201) 784-1000 Fax (201) 784-0111	Drawing Title: GT-91087-1524, POE PD Module DC/DC, Efficiency Level: , Case Color/Style: PCB, PCB Mounted/DIP, Power Over Ethernet Powered Device Converter (IEEE802.3af PoE PD) Power Supply AC Adaptor, Input Rating: 36-60 VDC, Terminals , Output Rating: 15W, 24.0V@0.64A, Output Configuration: 4-Pin pitch 2.5 mm CONNECTOR, GT Connector # C23130, Pin Out: Pin 6,7 (V-) & Pin 8,9: (V+), Blades/Input Cord: Not Applicable, Approvals: RoHS; China RoHS;	
	Model No. GT-91087-1524	Part No./Ordering No. GT-91087-1524(R)

OUTPUT CONNECTOR HOOK UP

TO ADDRESS SYSTEM-LEVEL EMI CONCERNS, FERRITE CHOKES/BEADS MAY BE ADDED/REVISED UPON REQUEST. A SAMPLE KIT OF GLOBTEK'S STANDARD FERRITES IS AVAILABLE UNDER GLOBTEK P/N: EMI-MITIGATION-KIT1

FOR ADDITIONAL INFORMATION, PLEASE READ OUR WHITE PAPER AT:

<https://en.globtek.com/technical-articles/ferrite-kit-radiated-emi-suppression-kit-for-globtek-power-supplies-cable-assemblies>

GlobTek, Inc. www.globtek.com 186 Veterans Drive, Northvale, NJ 07647 Tel. (201) 784-1000 Fax (201) 784-0111	Drawing Title: GT-91087-1524, POE PD Module DC/DC, Efficiency Level: , Case Color/Style: PCB, PCB Mounted/DIP, Power Over Ethernet Powered Device Converter (IEEE802.3af PoE PD) Power Supply AC Adaptor, Input Rating: 36-60 VDC, Terminals , Output Rating: 15W, 24.0V@0.64A, Output Configuration: 4-Pin pitch 2.5 mm CONNECTOR, GT Connector # C23130, Pin Out: Pin 6,7 (V-) & Pin 8,9: (V+), Blades/Input Cord: Not Applicable, Approvals: RoHS; China RoHS;	
	Model No. GT-91087-1524	Part No./Ordering No. GT-91087-1524(R)

LABEL:L-1186

LABEL P/N	Standard GT
MATERIAL	Flat Thermal Transfer, Imprintable, Polyester Label and/or Pad Printed and/or Molded, and/or Laser Engraved in the case
BACKGROUND COLOR	Black if housing is Black, White or Silver if housing is White or Gray.
TEXT COLOR	White or Silver if label is Black Background for Black housing. Black if label is White or Silver background and Housing is White or Gray.
LABEL WIDTH (mm)	12
LABEL HEIGHT (mm)	12
SPECIAL BARCODE LABEL MATERIAL	No

Below is the minimum information which will appear on the label. NOTE: in the logo area additional/actual positioning of symbols and text is subjected to change as per agency updates/requirements or additional model approvals become available.
 Regulatory certifications/label markings may be in logo area on the label or molded into the case housing outside the label area.
 Information will be shown via label and/or pad printed and/or molded and/or laser engraved in the case. * Date code markings at GlobTek option



or
DATE CODE B *:
 WWYY
 WW = WEEK
 YY = YEAR

- A=POE PD Module DC/DC
- B=P/N: (料号) GT-91087-1524(R)
- C=Model (型号) GT-91087-1524
- D=Input (输入)36-60 VDC, 0.5A
- E=Output (输出)24.0 V 0.64 A, 15.00W

GlobTek, Inc. www.globtek.com 186 Veterans Drive, Northvale, NJ 07647 Tel. (201) 784-1000 Fax (201) 784-0111	Drawing Title: GT-91087-1524, POE PD Module DC/DC, Efficiency Level: , Case Color/Style: PCB, PCB Mounted/DIP, Power Over Ethernet Powered Device Converter (IEEE802.3af PoE PD) Power Supply AC Adaptor, Input Rating: 36-60 VDC, Terminals , Output Rating: 15W, 24.0V@0.64A, Output Configuration: 4-Pin pitch 2.5 mm CONNECTOR, GT Connector # C23130, Pin Out: Pin 6,7 (V-) & Pin 8,9: (V+), Blades/Input Cord: Not Applicable, Approvals: RoHS; China RoHS;	
	Model No. GT-91087-1524	Part No./Ordering No. GT-91087-1524(R)

AGENCY ONLINE DOCUMENTS

CE EC-Declaration for Medical	Contact GlobTek for more information
CE EC-Declaration for Industrial/Commercial/ITE	Contact GlobTek for more information
CE EC-Declaration for Household	Contact GlobTek for more information
UKCA-Declaration for Medical	Contact GlobTek for more information
UKCA-Declaration for Industrial/Commercial/ITE	Contact GlobTek for more information
UKCA-Declaration for Household	Contact GlobTek for more information
Morocco SDoC Declaration	https://globtek.secure.force.com/models/Morocco_SDoC_Declaration?id=a0030000007P7YrEAK
RoHS/RoHS3 Declaration	https://www.globtek.com/pdf/rohs_cert/01ta0000005xtIOAAY
REACH Declaration	https://www.globtek.com/pdf/iso_certificates/REACH.pdf
Conflict Minerals Declaration	https://www.globtek.com/pdf/conflict-minerals.pdf
Prop 65 Statement	https://en.globtek.com/prop-65-statement.pdf

IPXY rating is based on 3rd party testing and customers should check suitability and test system level IPXY rating before ordering.

Regulatory Certifications/Label Markings

Below follows a link to the latest regulatory certifications and marks for this specific product. National standards as well as certification schemes are constantly changing and so is the set of certification marks and symbols applicable to this product. Various standards, marks and symbols, and certificates are subject to change at any time without notice.

Additional standards or unique country certifications are available upon request. Please contact Globtek to request a quotation.

LATEST PRODUCT/MODEL CERTIFICATIONS: <https://www.globtek.com/datasheet/w70457>

AGENCY ONLINE DOCUMENTS

(X1) Not a power supply (Not applicable)



Pin 6,7 (V-) & Pin 8,9: (V+)

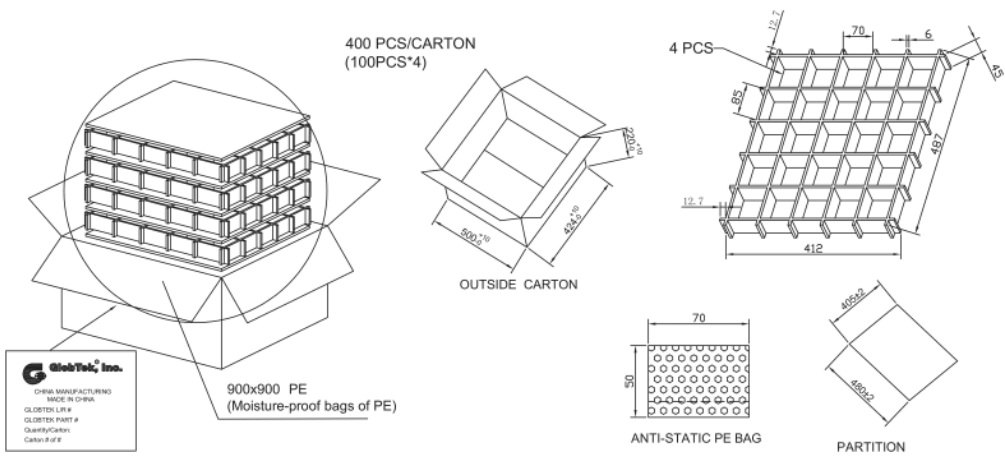
GlobTek, Inc. www.globtek.com 186 Veterans Drive, Northvale, NJ 07647 Tel. (201) 784-1000 Fax (201) 784-0111	Drawing Title: GT-91087-1524, POE PD Module DC/DC, Efficiency Level: , Case Color/Style: PCB, PCB Mounted/DIP, Power Over Ethernet Powered Device Converter (IEEE802.3af PoE PD) Power Supply AC Adaptor, Input Rating: 36-60 VDC, Terminals , Output Rating: 15W, 24.0V@0.64A, Output Configuration: 4-Pin pitch 2.5 mm CONNECTOR, GT Connector # C23130, Pin Out: Pin 6,7 (V-) & Pin 8,9: (V+), Blades/Input Cord: Not Applicable, Approvals: RoHS; China RoHS;	
	Model No. GT-91087-1524	Part No./Ordering No. GT-91087-1524(R)

PACKAGING

Packing Spec P/N	Packing for GT-91087
Box Qty	400
Gift Box Size (mm)	plastic bag
Gift Box Color	White
Master Carton Size (mm)	500 x 220 x 424
Master Carton Cubic Volume (m³)	0.05
Master GW (Kg)	kg
BLADES INCLUDED	N/A: Not Applicable
BLADE/CORD INSTALLED	N/A: Not Applicable
USER MANUAL*	
USER MANUAL WEB LINK	

* This specification sheet is considered the user manual for all applications. It is expected that the buyer of this product will use it to formulate their own user manual for their end product and a user manual specifically for the power adapter is not usually required. If a user manual is not specifically listed above then none will be provided with this unit.

If specific packaging is required, this section must specify all requirements and note "no exceptions". If this section does not specify packaging, it is subject to change without notice at GlobTek's discretion.



GlobTek, Inc. www.globtek.com 186 Veterans Drive, Northvale, NJ 07647 Tel. (201) 784-1000 Fax (201) 784-0111	Drawing Title: GT-91087-1524, POE PD Module DC/DC, Efficiency Level: , Case Color/Style: PCB, PCB Mounted/DIP, Power Over Ethernet Powered Device Converter (IEEE802.3af PoE PD) Power Supply AC Adaptor, Input Rating: 36-60 VDC, Terminals , Output Rating: 15W, 24.0V@0.64A, Output Configuration: 4-Pin pitch 2.5 mm CONNECTOR, GT Connector # C23130, Pin Out: Pin 6,7 (V-) & Pin 8,9: (V+), Blades/Input Cord: Not Applicable, Approvals: RoHS; China RoHS;	
	Model No. GT-91087-1524	
	Part No./Ordering No. GT-91087-1524(R)	Rev A

INSTRUCTIONS TO THE OEM SYSTEMS ENGINEER

It is the responsibility of the OEM systems engineer to provide the end system user instructions and warnings for the use of this product in the end system.

If an input cord is required for this product, AC Mains voltage should be provided to the power supply by a power supply cord approved to the national standards of the country in which it will be used.

This product is not designed to be repaired. No serviceable parts inside. A blown internal fuse is an indication of catastrophic failure of circuit component(s). If a Failure Analysis is required for a failed power supply/battery charger, please return the damaged unit to GlobTek for an accurate determination of the root cause of the failure.

EMC Compliance of the complete OEM product, including the GlobTek power supply/battery charger needs to be verified by the OEM systems engineer.

INSTRUCTION SHEET

<p>GlobTek, Inc. www.globtek.com 186 Veterans Drive, Northvale, NJ 07647 Tel. (201) 784-1000 Fax (201) 784-0111</p>	<p>Drawing Title: GT-91087-1524, POE PD Module DC/DC, Efficiency Level: , Case Color/Style: PCB, PCB Mounted/DIP, Power Over Ethernet Powered Device Converter (IEEE802.3af PoE PD) Power Supply AC Adaptor, Input Rating: 36-60 VDC, Terminals , Output Rating: 15W, 24.0V@0.64A, Output Configuration: 4-Pin pitch 2.5 mm CONNECTOR, GT Connector # C23130, Pin Out: Pin 6,7 (V-) & Pin 8,9: (V+), Blades/Input Cord: Not Applicable, Approvals: RoHS; China RoHS;</p>
	<p>Model No. GT-91087-1524</p>
	<p>Part No./Ordering No. GT-91087-1524(R) Rev A</p>

