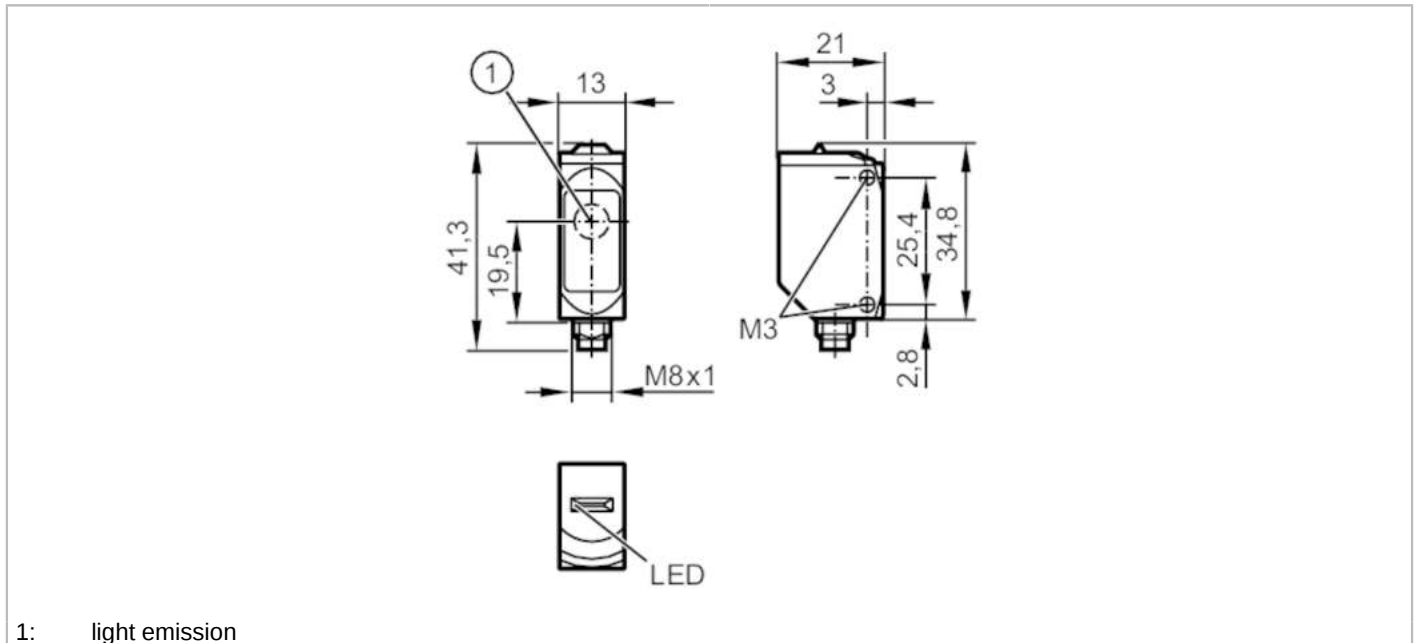


O6S305



Through-beam sensor transmitter

O6S-00KG/AS/4P



1: light emission



Product characteristics	
Type of light	red light
Housing	rectangular
Application	
Function principle	Through-beam sensor
Electrical data	
Operating voltage [V]	10...30 DC
Current consumption [mA]	11; ((24 V))
Protection class	III
Type of light	red light
Wave length [nm]	633
Detection zone	
Transmitter / receiver	transmitter
Range [m]	< 10
Max. light spot diameter [mm]	300
Light spot dimensions refer to	at maximum range
Interfaces	
Communication interface	IO-Link
Transmission type	COM2 (38,4 kBaud)
IO-Link revision	1.1
SDCI standard	IEC 61131-9
Profiles	Smart Sensor: Device Identification
SIO mode	yes
Required master port type	A
Min. process cycle time [ms]	2.5

O6S305



Through-beam sensor transmitter

O6S-OOKG/AS/4P

IO-Link process data (cyclical)	function	bit length
	process value	8
IO-Link functions (acyclical)	application specific tag; operating hours counter; switching cycles counter	
Supported DeviceIDs	Type of operation	DeviceID
	Default	420

Operating conditions

Ambient temperature	[°C]	-25...80
Protection		IP 65; IP 67; IP 68; IP 69K

Tests / approvals

EMC	EN 60947-5-2	
MTTF	[years]	1239
UL approval	UL Approval no.	E011

Mechanical data

Weight	[g]	33.8
Housing		rectangular
Dimensions	[mm]	34.8 x 13 x 21
Materials		housing: stainless steel (1.4404 / 316L); plastics: PPSU; Sealing: EPDM
Lens material		PMMA
Lens alignment		side lens
Tightening torque	[Nm]	1; (screws)

Displays / operating elements

Display	operation	1 x LED, green
---------	-----------	----------------

Remarks

Remarks	operating voltage "supply class 2" according to cULus	
Pack quantity	1 pcs.	

Electrical connection

Connector: 1 x M8; coding: A

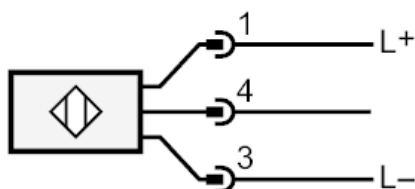




Through-beam sensor transmitter

O6S-OOKG/AS/4P

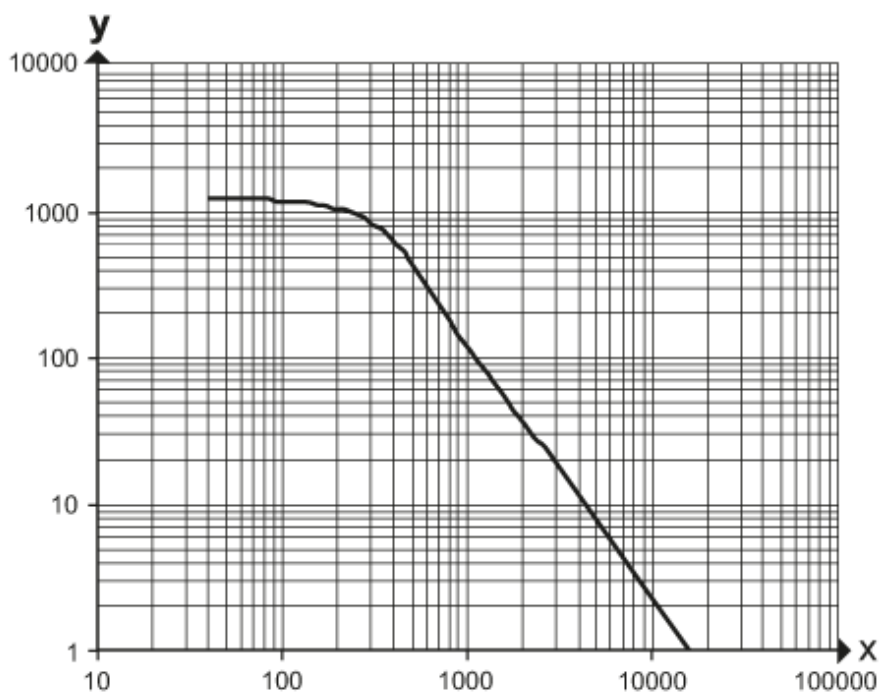
Connection



4 IO-Link

Diagrams and graphs

excess gain graph



x: distance [mm]

y: excess gain factor