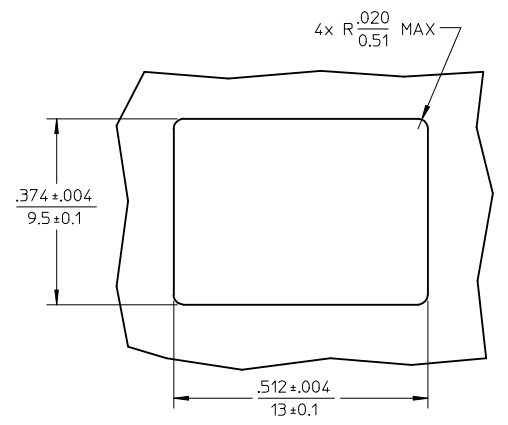
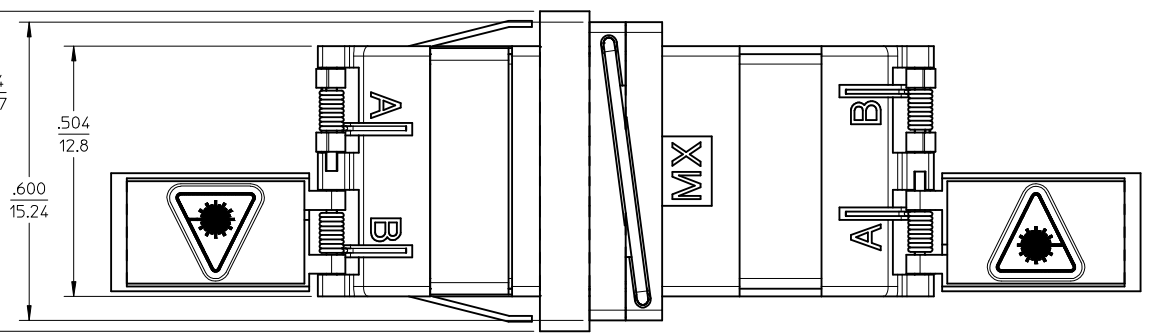
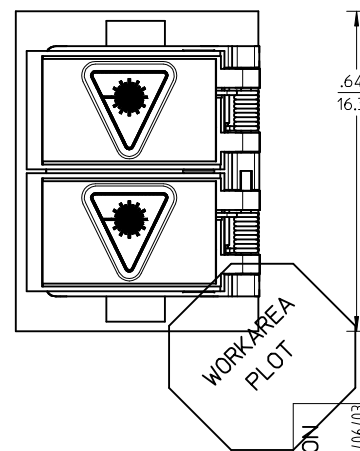
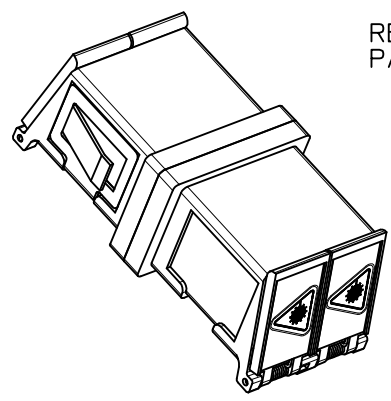
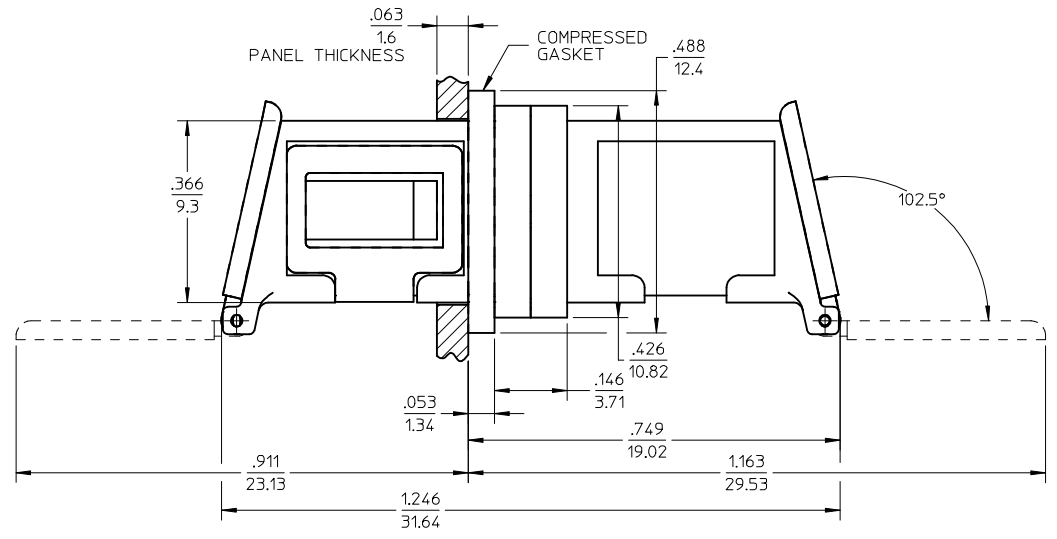


ADAPTER P/N	SPLIT SLEEVE MATERIAL
106115-2120	Zr
106115-2126	Ph. Bronze



RECOMMENDED PANEL CUTOUT  
 PANEL THICKNESS - 1.6mm/.063"



- NOTES:
1. ALL DIMENSIONS ARE FOR REFERENCE ONLY.
  2. CONDUCTIVE FABRIC OVER FOAM GASKET IS SUPPLIED WITH PART.
  3. PART IS DIECAST.
  4. ADAPTERS TO BE PACKAGED IN TRAY.

ENTER DESCRIPTION EC NO: MF2009-0641 DRAWN: KPEVZNER CHKD: LGUMIN APPR: LGUMIN	2009/06/03 2009/06/03 2009/06/05	QUALITY SYMBOLS ▽=0 ▽=0	GENERAL TOLERANCES (UNLESS SPECIFIED) mm INCH 4 PLACES ± --- ± --- 3 PLACES ± --- ± --- 2 PLACES ± --- ± --- 1 PLACE ± --- ± --- ANGULAR ± 1/2°	DIMENSION STYLE IN/MM DRAWN BY PGIBL IN DATE 2005/12/09 CHECKED BY DATE APPROVED BY DATE	SCALE 4:1 DESIGN UNITS INCH THIRD ANGLE PROJECTION	TITLE LC-D EMI ADAPTER, (SNAP MOUNT, W/SHUTTERS)
	DRAFT WHERE APPLICABLE MUST REMAIN WITHIN DIMENSIONS			MATERIAL NO. SEE TABLE SIZE B	MOLEX INCORPORATED DOCUMENT NO. SD-106115-212X	SHEET NO. 1 OF 1
	THIS DRAWING CONTAINS INFORMATION THAT IS PROPRIETARY TO MOLEX INCORPORATED AND SHOULD NOT BE USED WITHOUT WRITTEN PERMISSION					
	B					