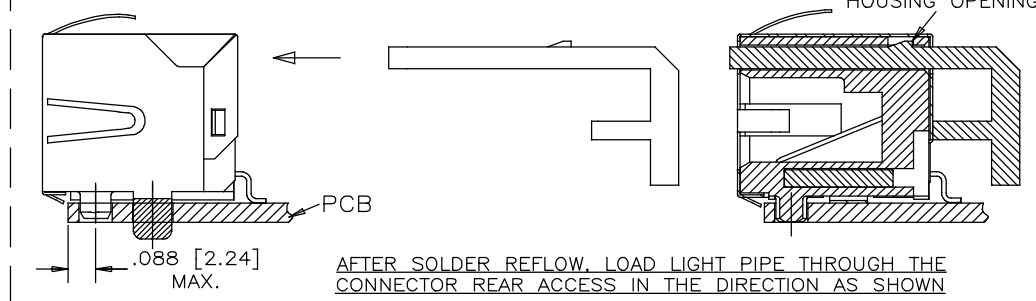
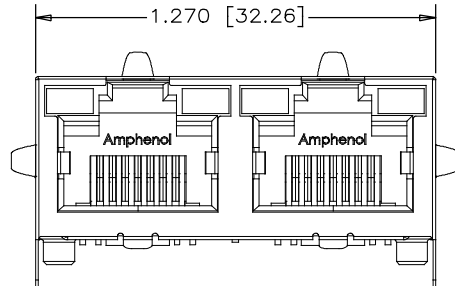


TOP VIEW

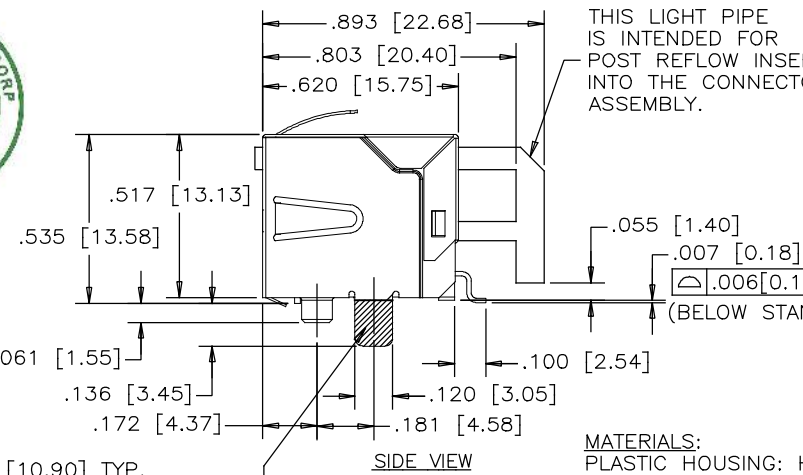


AFTER SOLDER REFLOW, LOAD LIGHT PIPE THROUGH THE CONNECTOR REAR ACCESS IN THE DIRECTION AS SHOWN

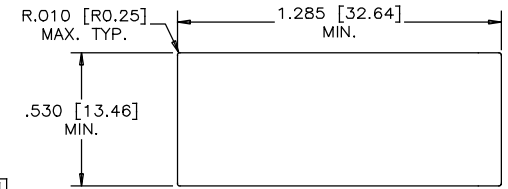
| REVISIONS | | | |
|-----------|--|------------|--------|
| REV. | ECN, ERN NO. | DATE | APPRD. |
| A | PROPOSAL | Jun 4.09 | L.CHAN |
| B | PROPOSAL | Jun 5.09 | L.CHAN |
| C | ADD PACKING DRAWING | July 29.09 | L.CHAN |
| D | MODIFY TRAY PER CUSTOMER REQUIREMENT | Aug 25.09 | L.CHAN |
| E | UPDATE DRAWING | Nov 07.13 | L.CHAN |
| F | CORRECT DIMENSION AND PACKAGING QUANTITY | JAN21/16 | L.CHAN |
| G | UPDATE PART NUMBER NOTES | MAY20/16 | L.CHAN |
| H | FIX THE ERROR FOR PACKAGING QUANTITY | MAR 20/18 | L.CHAN |



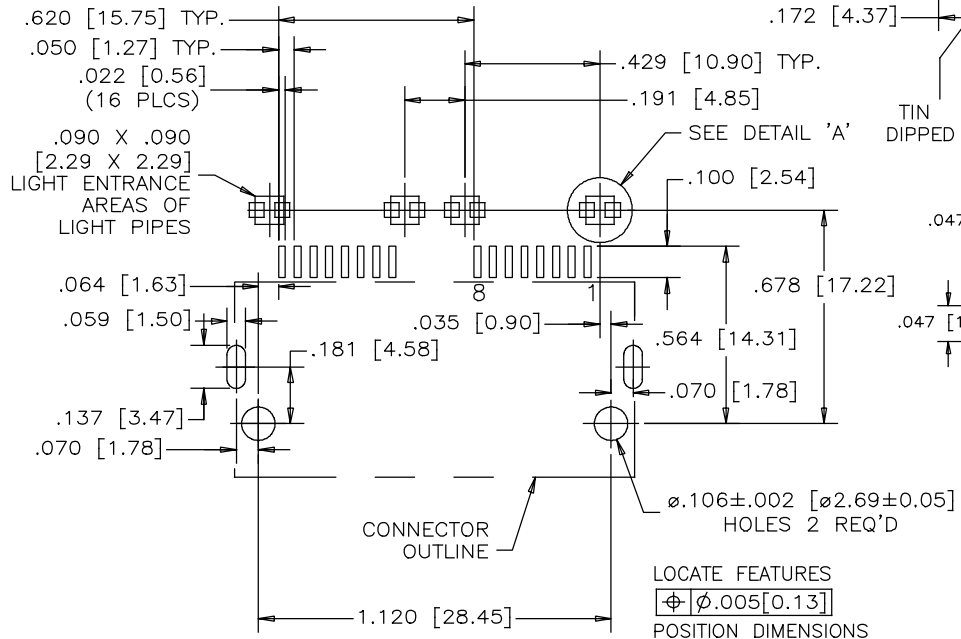
FRONT VIEW



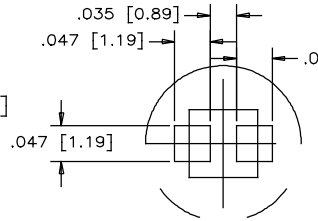
SIDE VIEW



RECOMMENDED PANEL CUTOUT



RECOMMENDED P.C.B. LAYOUT (COMPONENT SIDE OF BOARD)



DETAIL 'A' (ENLARGED)
SMT LED SOLDER PAD (SMT LED TO BE PROVIDED BY THE CUSTOMER)

MATERIALS:
 PLASTIC HOUSING: HIGH TEMPERATURE ENGINEERING THERMOPLASTIC FLAMMABILITY RATING UL 94V-0. COLOR: BLACK.
 CONTACTS: PHOSPHOR BRONZE
 PLATING: 20 μ" [0.51 MICRONS] MIN. GOLD ON MATING SURFACES.
 50 μ" [1.27 MICRONS] MIN. NICKEL UNDERPLATE.
 100 μ" [2.54 MICRONS] MIN. MATTE TIN ON CONTACT TAILS.
 SHIELD: COPPER ALLOY
 PLATING: NICKEL
 LIGHT PIPE: CLEAR POLYCARBONATE RATED UL 94V-0.
 PART NUMBER: RJSS-5S8X-02

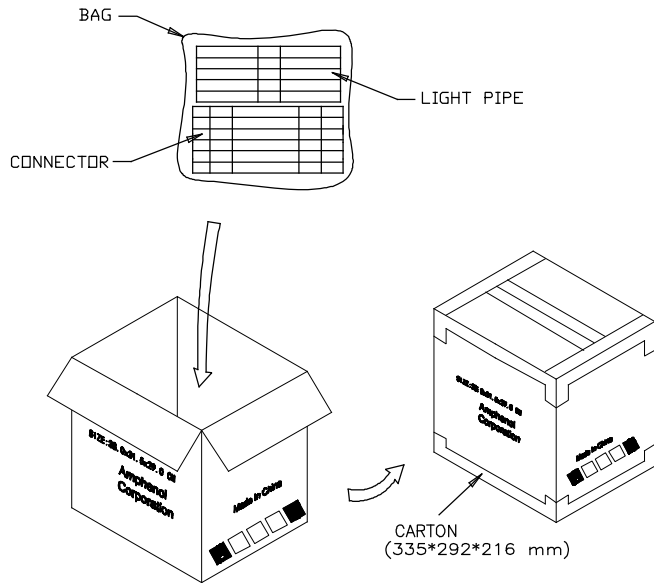
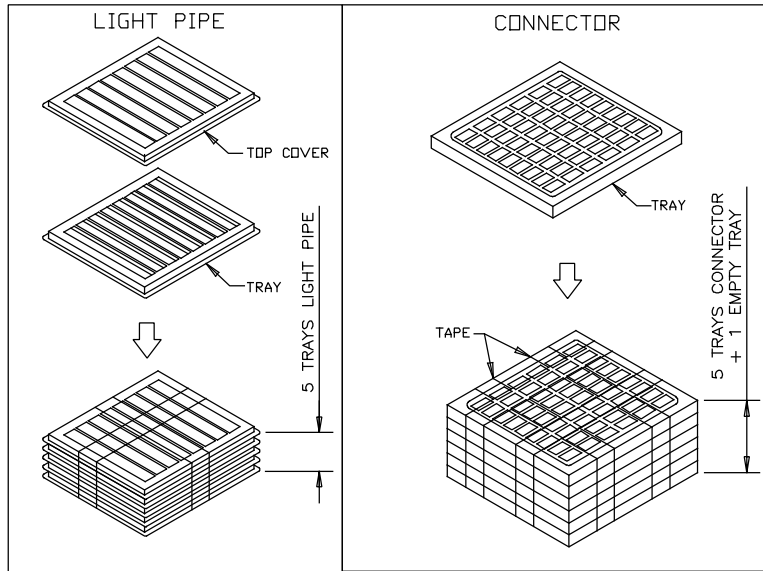
SHELL OPTION _____ LIGHT PIPE DESIGNATION
 S - SPECIAL SOLDER 0 - BLOCKED
 TAIL OF SHEEL 1 - WITH LIGHT PIPE
 2 - WITH LIGHT PIPE HOLE, BUT WITHOUT LIGHT PIPE.

THIS DOCUMENT CONTAINS PROPRIETARY INFORMATION AND SUCH INFORMATION MAY NOT BE DISCLOSED TO OTHERS FOR ANY PURPOSE OR USED FOR MANUFACTURING PURPOSES WITHOUT WRITTEN PERMISSION FROM AMPHENOL CANADA CORP.

| | | |
|-------------------------------|--------------------|---------------|
| MATERIAL | DRAWN MT.chen | DATE Jun 4.09 |
| DESIGNED | CHECKED L.CHAN | Jun 4.09 |
| I. E. APPRD. Oyang | Q. A. APPRD. Joe | Jun 4.09 |
| DWG. APPRD. | ENG. REL. NO. | REF. |
| DIMENSIONS ARE IN INCHES [mm] | CODE ID. NO. 03554 | |

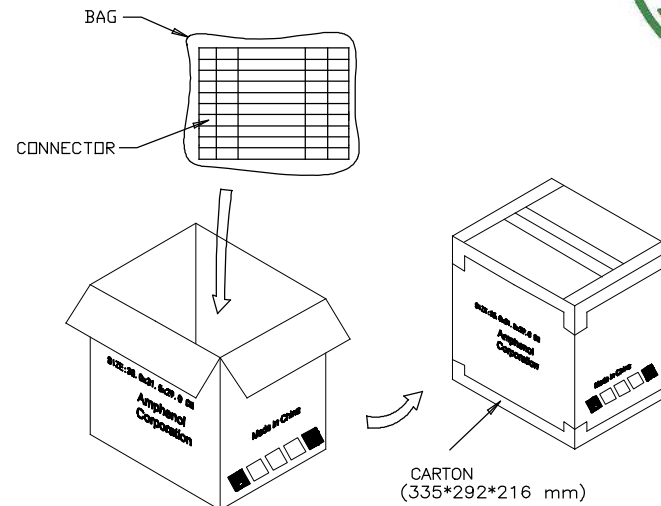
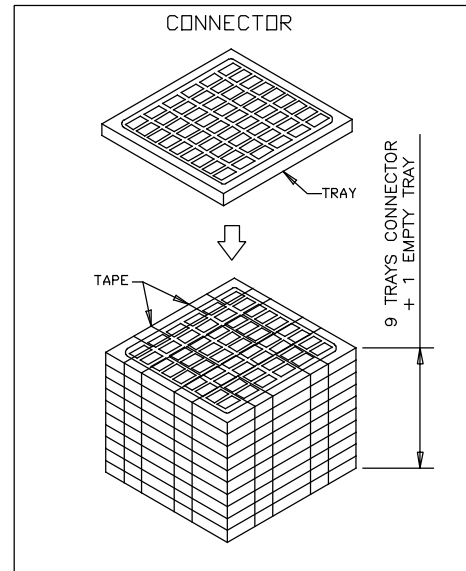
| | | |
|---|-----------------------------|-------------|
| Amphenol Canada Corp. | | |
| TITLE 2 PORT, SURFACE MOUNT, RJ45 MODULAR JACK, 8 POSITION, 8 CONTACTS, TRAY PACKAGING, SHIELDED, LIGHT PIPES OPTIONAL - RoHS COMPLIANT | | |
| DWG C | DRAWING NO. P-RJSSE-5S8X-02 | REV. H |
| SCALE 3/1 | WT. ----- | SURF. ----- |
| SHEET 1 OF 2 | | |

RJSSE-5S81-02



- NOTES:
1. EACH TRAY PACK 54PCS CONNECTORS
EACH CARTON PACK 270PCS CONNECTOR [5 TRAYS CONNECTOR AND 1 EMPTY TRAY]
 2. EACH LIGHT PIPE TRAY PACK 128PCS LIGHT PIPE
EACH CARTON PACK 540PCS LIGHT PIPE

RJSSE-5S80-02/RJSSE-5S82-02



- NOTES:
1. EACH TRAY PACK 54PCS CONNECTORS
EACH CARTON PACK 486PCS CONNECTOR [9 TRAYS CONNECTOR AND 1 EMPTY TRAY]

| REVISIONS | | | |
|-----------|--|------------|--------|
| REV. | ECN, ERN NO. | DATE | APPRD. |
| A | PROPOSAL | Jun 4,09 | L.CHAN |
| B | PROPOSAL | Jun 5,09 | L.CHAN |
| C | ADD PACKING DRAWING | July 29,09 | L.CHAN |
| D | MODIFY TRAY PER CUSTOMER REQUIREMENT | Aug 25,09 | L.CHAN |
| E | UPDATE DRAWING | Nov 07,13 | L.CHAN |
| F | CORRECT DIMENSION AND PACKAGING QUANTITY | JAN21/16 | L.CHAN |
| G | UPDATE PART NUMBER NOTES | MAY20/16 | L.CHAN |
| H | FIX THE ERROR FOR PACKAGING QUANTITY | MAR 20/18 | L.CHAN |



| | | | |
|-------------------|--------------|------|----------|
| DRAWN | MT.chen | DATE | Jul 4,09 |
| DESIGNED | | | |
| CHECKED | L.CHAN | DATE | Jul 4,09 |
| I. E. APPRD. | Oyang | DATE | Jul 4,09 |
| Q. A. APPRD. | Joe | DATE | Jul 4,09 |
| DWG. APPRD. | | | |
| ENG. REL. NO. | | | |
| REF. | | | |
| DIMENSIONS ARE IN | CODE ID. NO. | | |
| INCHES [mm] | 03554 | | |

Amphenol Canada Corp.

TITLE 2 PORT, SURFACE MOUNT, RJ45 MODULAR JACK,
8 POSITION, 8 CONTACTS, TRAY PACKAGING,
SHIELDED, LIGHT PIPES OPTIONAL - RoHS COMPLIANT

| | | |
|-------|-----------------|--------------|
| DWG | DRAWING NO. | REV. |
| | P-RJSSE-5S8X-02 | H |
| SCALE | WT. | SURF. |
| | | SHEET 2 of 2 |