

NOTES:
Mechanical:
 1. Housing material : High Temp. UL94V-0 , Color: Black
 2. Contact material: Phosphor Bronze t=0.35mm
 3. Contact plating: Contact area---Selective Gold plating
 Tails---Tin plated all over 50u" Nickel
 4. Operating Life: 750 Cycles min.
 5. PCB Retention Post-solder: 10 LBS min.

Electrical:
 1. Voltage Rating: 125VAC.
 2. Current Rating: 1.5AMP.
 3. Contact Resistance: 30mΩ max.
 4. Insulation Resistance: 1000MΩ min. @ 500 VDC
 5. Dielectric Strength: 1000 VAC 60Hz, 1 min.

Environmental:
 1. Storage: -40°C To +85°C
 2. Operation: -40°C~+85°C
 3. IR Reflow Soldering Temperature: 255°C~265°C(5-10S)

Packing: 150pcs/Tape reel, 900pcs/Carton

Order code: A-2014-2-X-SMT-N

Contact plating:
 1: Selective 15u" gold
 2: Selective 30u" gold
 3: Selective 50u" gold
 4: Selective 6u" gold

RoHS compliant
 Unit:mm

Scale	Free						Date	Name	Customer-No.
TOLERANCE							Drawn	27.05.2013	Amy
X.X	±0.20						Approved	16.04.2014	Amy
X.XX	±0.15								
X.XXX	±0.10								
DIM	TOL	①	Add tape reel packing on page 2	16.04.2014	Amy		Drawing-No.		ASS 5707 CO rev01 SHEET 1 / 2
		②	Drawn	27.05.2013	Amy		Replace		
Angle	±5°	Id.	Modification	Date	Name				

Customer-No.
 ASSMANN WSW-No.
A-2014-2-X-SMT-N



Drawing-No.
ASS 5707 CO
 rev01
 SHEET 1 / 2

1

2

3

4

5

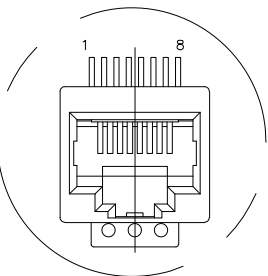
6

7

A

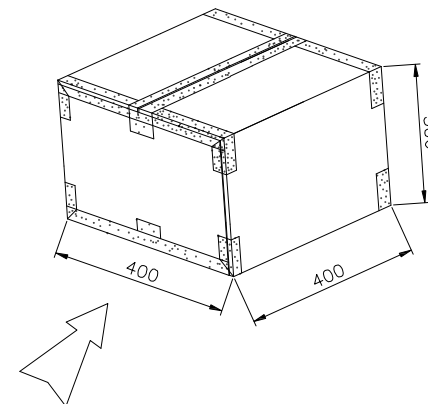
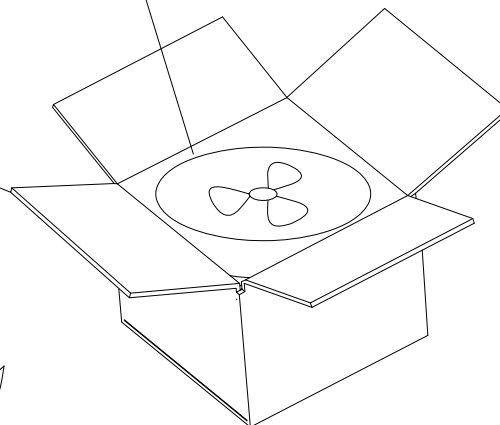
A

1.PRODUCT 1PCS



1.TOP ENTRY SMT 8P8C JACK
 150 PCS/REEL
 900PCS/CARTON

2.CARTON



B

B

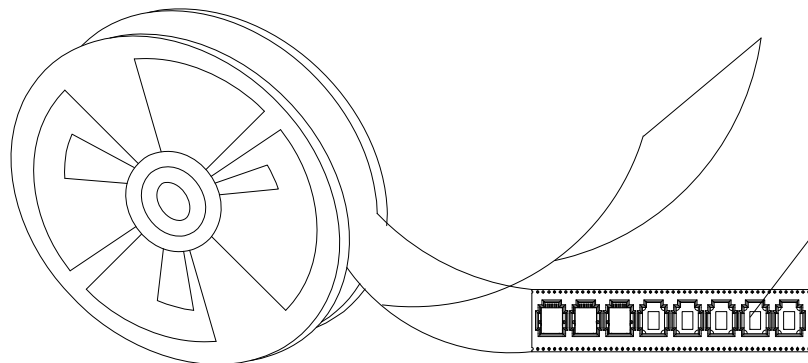
C

C

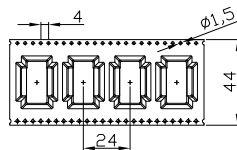
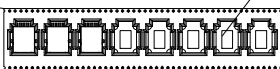
D

D

3.TAPE REEL



Keep 5pcs blank on
 front and tail



E

E

F

F

RoHS compliant
 Unit:mm

Scale	Free						Date	Name	Customer-No.
TOLERANCE						Drawn	27.05.2013	Amy	
X.X	±0.20					Approved	16.04.2014	Amy	ASSMANN WSW-No.
X.XX	±0.15								A-2014-2-X-SMT-N
X.XXX	±0.10								Drawing-No.
DIM	TOL	①	Add tape reel packing on page 2	16.04.2014	Amy			ASS 5707 CO	rev01
		②	Drawn	27.05.2013	Amy			Replace	SHEET 2 / 2
Angle	±5°	Id.	Modification	Date	Name				

G

G

H

H

1

2

3

4

5

6

7