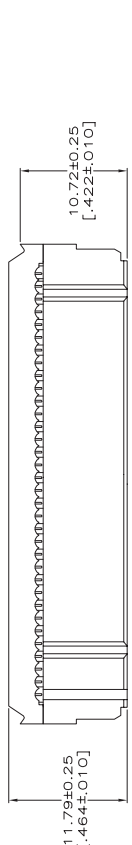
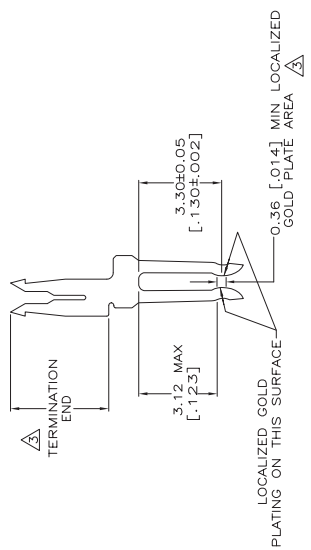


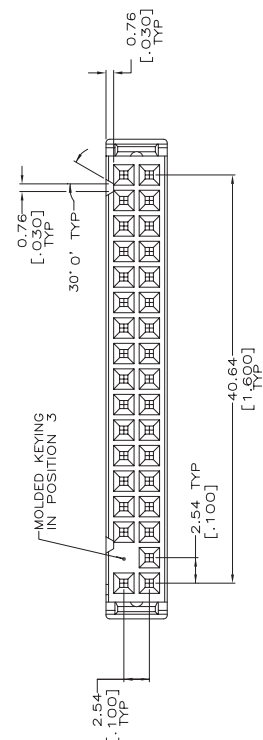
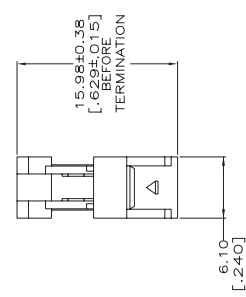
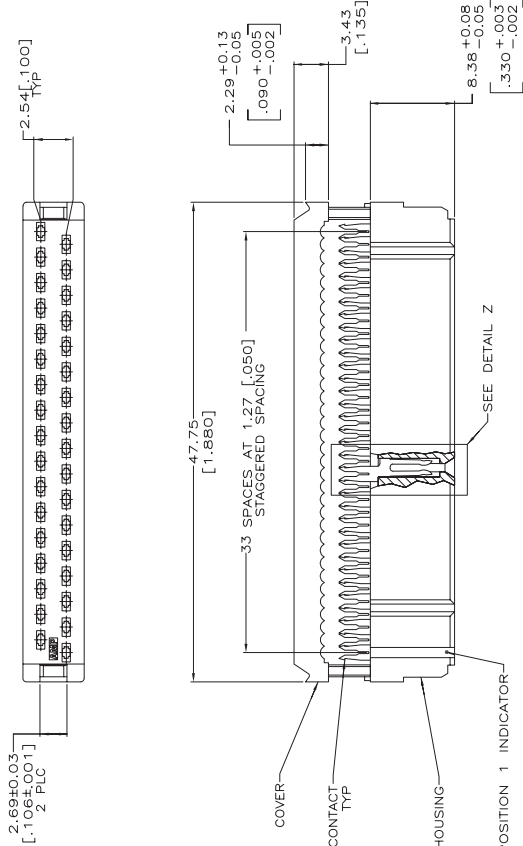
▲ POLYESTER, BLACK, UL RATED 94V-0.
 ▲ PHOSPHOR BRONZE PER QQ-B-750.
 ▲ 0.38mm [.000015] MIN GOLD ON LOCALIZED GOLD PLATE AREA.
 ▲ 1.27mm [.000050] MIN TIN ON TERMINATION END, ALL OVER 1.27mm [.000050] MIN NICKEL ON ENTIRE CONTACT.



TERMINATED VIEW



DETAIL Z
SCALE 10:1
TYPICAL



| | | | |
|--|------------|-------------|--|
| NO. OF POSN | 34 | PART NUMBER | 5111826-8 |
| THIS DRAWING IS A CONTROLLED DOCUMENT. | | | |
| DESIGNER | W. WALKLEY | DATE | 11-14-93 |
| DATE | 11-14-93 | REV | 1 |
| REV | 1 | DESCRIPTION | RECEPTACLE, FULL COVER, MILITARY POLARIZATION, 1000, AMP-LATCH |
| REV | 2 | DESCRIPTION | RECEPTACLE, FULL COVER, MILITARY POLARIZATION, 1000, AMP-LATCH |
| REV | 3 | DESCRIPTION | RECEPTACLE, FULL COVER, MILITARY POLARIZATION, 1000, AMP-LATCH |
| REV | 4 | DESCRIPTION | RECEPTACLE, FULL COVER, MILITARY POLARIZATION, 1000, AMP-LATCH |
| REV | 5 | DESCRIPTION | RECEPTACLE, FULL COVER, MILITARY POLARIZATION, 1000, AMP-LATCH |
| REV | 6 | DESCRIPTION | RECEPTACLE, FULL COVER, MILITARY POLARIZATION, 1000, AMP-LATCH |
| REV | 7 | DESCRIPTION | RECEPTACLE, FULL COVER, MILITARY POLARIZATION, 1000, AMP-LATCH |
| REV | 8 | DESCRIPTION | RECEPTACLE, FULL COVER, MILITARY POLARIZATION, 1000, AMP-LATCH |
| REV | 9 | DESCRIPTION | RECEPTACLE, FULL COVER, MILITARY POLARIZATION, 1000, AMP-LATCH |
| REV | 10 | DESCRIPTION | RECEPTACLE, FULL COVER, MILITARY POLARIZATION, 1000, AMP-LATCH |
| REV | 11 | DESCRIPTION | RECEPTACLE, FULL COVER, MILITARY POLARIZATION, 1000, AMP-LATCH |
| REV | 12 | DESCRIPTION | RECEPTACLE, FULL COVER, MILITARY POLARIZATION, 1000, AMP-LATCH |
| REV | 13 | DESCRIPTION | RECEPTACLE, FULL COVER, MILITARY POLARIZATION, 1000, AMP-LATCH |
| REV | 14 | DESCRIPTION | RECEPTACLE, FULL COVER, MILITARY POLARIZATION, 1000, AMP-LATCH |
| REV | 15 | DESCRIPTION | RECEPTACLE, FULL COVER, MILITARY POLARIZATION, 1000, AMP-LATCH |
| REV | 16 | DESCRIPTION | RECEPTACLE, FULL COVER, MILITARY POLARIZATION, 1000, AMP-LATCH |
| REV | 17 | DESCRIPTION | RECEPTACLE, FULL COVER, MILITARY POLARIZATION, 1000, AMP-LATCH |
| REV | 18 | DESCRIPTION | RECEPTACLE, FULL COVER, MILITARY POLARIZATION, 1000, AMP-LATCH |
| REV | 19 | DESCRIPTION | RECEPTACLE, FULL COVER, MILITARY POLARIZATION, 1000, AMP-LATCH |
| REV | 20 | DESCRIPTION | RECEPTACLE, FULL COVER, MILITARY POLARIZATION, 1000, AMP-LATCH |
| REV | 21 | DESCRIPTION | RECEPTACLE, FULL COVER, MILITARY POLARIZATION, 1000, AMP-LATCH |
| REV | 22 | DESCRIPTION | RECEPTACLE, FULL COVER, MILITARY POLARIZATION, 1000, AMP-LATCH |
| REV | 23 | DESCRIPTION | RECEPTACLE, FULL COVER, MILITARY POLARIZATION, 1000, AMP-LATCH |
| REV | 24 | DESCRIPTION | RECEPTACLE, FULL COVER, MILITARY POLARIZATION, 1000, AMP-LATCH |
| REV | 25 | DESCRIPTION | RECEPTACLE, FULL COVER, MILITARY POLARIZATION, 1000, AMP-LATCH |
| REV | 26 | DESCRIPTION | RECEPTACLE, FULL COVER, MILITARY POLARIZATION, 1000, AMP-LATCH |
| REV | 27 | DESCRIPTION | RECEPTACLE, FULL COVER, MILITARY POLARIZATION, 1000, AMP-LATCH |
| REV | 28 | DESCRIPTION | RECEPTACLE, FULL COVER, MILITARY POLARIZATION, 1000, AMP-LATCH |
| REV | 29 | DESCRIPTION | RECEPTACLE, FULL COVER, MILITARY POLARIZATION, 1000, AMP-LATCH |
| REV | 30 | DESCRIPTION | RECEPTACLE, FULL COVER, MILITARY POLARIZATION, 1000, AMP-LATCH |
| REV | 31 | DESCRIPTION | RECEPTACLE, FULL COVER, MILITARY POLARIZATION, 1000, AMP-LATCH |
| REV | 32 | DESCRIPTION | RECEPTACLE, FULL COVER, MILITARY POLARIZATION, 1000, AMP-LATCH |
| REV | 33 | DESCRIPTION | RECEPTACLE, FULL COVER, MILITARY POLARIZATION, 1000, AMP-LATCH |
| REV | 34 | DESCRIPTION | RECEPTACLE, FULL COVER, MILITARY POLARIZATION, 1000, AMP-LATCH |