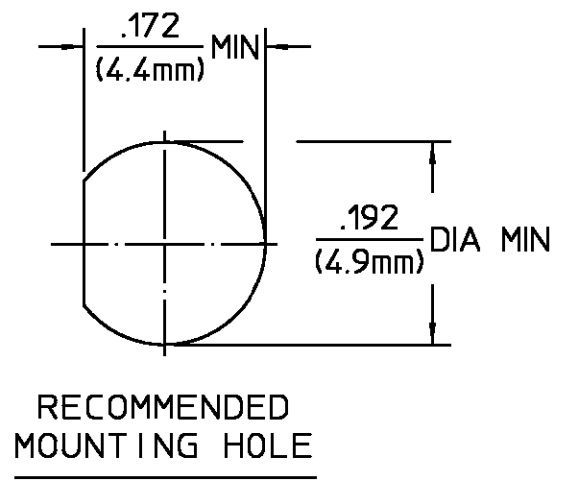


REVISIONS			
REV	DESCRIPTION	DATE	APPROVED
014	ECN 92-0010	2/2/93	[Signature] 02/10/93



ELECTRICAL	MECHANICAL	ENVIRONMENTAL
Nominal Impedance (Ohms) <u>50</u>	Interface Dimensions MIL-STD-348, Fig. 319.2	Temperature Rating <u>-65°C to +125°C</u>
Frequency Range (GHz) DC to <u>40</u>	Recommended Mounting	Vibration MIL-STD-202, Method 204, Condition D
Volt Rating (VRMS MAX)	Torque <u>5 In/Lbs</u>	Shock MIL-STD-202, Method 213, Condition I
Sea Level <u>250</u>	Mating Characteristics:	Thermal Shock MIL-STD-202, Method 107, Condition B, Except High Temp +115°C
VSWR <u>1.10 ±.01f(GHz)</u>	Insertion (MAX Lbs) <u>3.0</u>	Moisture Resistance MIL-STD-202, Method 106, Except Vibration
Insertion Loss (dB MAX) <u>.04√f(GHz)</u>	Withdrawal (MIN Oz) <u>1.0</u>	Shall Be Omitted
RF Leakage (dB MIN) <u>[-60-f(GHz)]</u>	Force to Engage and Disengage (In/Lbs MAX) <u>2.0</u>	Corrosion - MIL-STD-202, Method 101, Condition B, 5% salt spray
Corona, 70,000 Ft (VRMS MIN) <u>190</u>	Center Contact Captivation	
Dielectric Withstanding Voltage (VRMS MIN) @ Sea Level <u>750</u>	Axial (Lbs) <u>4.0</u>	
Contact Resistance (Milliohms MAX)	Radial (In-Oz) <u>3.0</u>	
Center Contact <u>2.0</u>	Weight (Grams) <u>1.6</u>	
Outer Contact <u>2.0</u>		
Cable to Housing <u>N/A</u>		
RF High Potential @ Sea Level (VRMS MIN @ 5 MHz) <u>500</u>		
I.R.(Megohms MIN) <u>5,000</u>		

HOUSING MOUNTING NUT LOCKWASHER	STAINLESS STEEL PER ASTM-A484 AND ASTM-A582, TYPE 303	GOLD PLATE PER MIL-G-45204 OVER NICKEL PLATE PER QQ-N-290
DIELECTRIC	TFE FLUOROCARBON PER ASTM-D-1457	N/A
CENTER CONTACT	BERYLLIUM COPPER PER ASTM B 196, ALLOY C17300, CONDITION H	GOLD PLATE PER MIL-G-45204 OVER COPPER PLATE PER MIL-C-14550
COMPONENT	MATERIAL	FINISH
UNLESS OTHERWISE SPECIFIED DIMENSIONS ARE IN INCHES TOLERANCE ON	DRAWN BY <u>BW</u> DATE <u>5/17/68</u>	<b>AMP Incorporated</b> 140 Fourth Avenue Waltham, MA 02451-7599
FRAC. DEC. ANGLES	CHECKED BY <u>PRB</u> DATE <u>5/17/68</u>	
± 1/64 ±.005 ± °	APPD BY <u>R. SMITH</u> DATE <u>5/17/68</u>	
These drawings and specifications are the property of Omni Spectra Incorporated and shall not be reproduced or copied or used in whole or in part as the basis for the manufacture or sale of item(s) without written permission.	USE ASS'Y PROCEDURE	TITLE <u>OSSM JACK TO OSSM JACK BULKHEAD FEEDTHRU ADAPTER</u>
	NO. AP. <u>N/A</u>	SIZE <u>B</u> CODE IDENT NO. <u>1084-0000-00</u> REV <u>014</u>
		SCALE <u>6:1</u> SHEET 1 OF 1

AMP PART # 1045722-1  
SHEET 1 OF 1 REV A