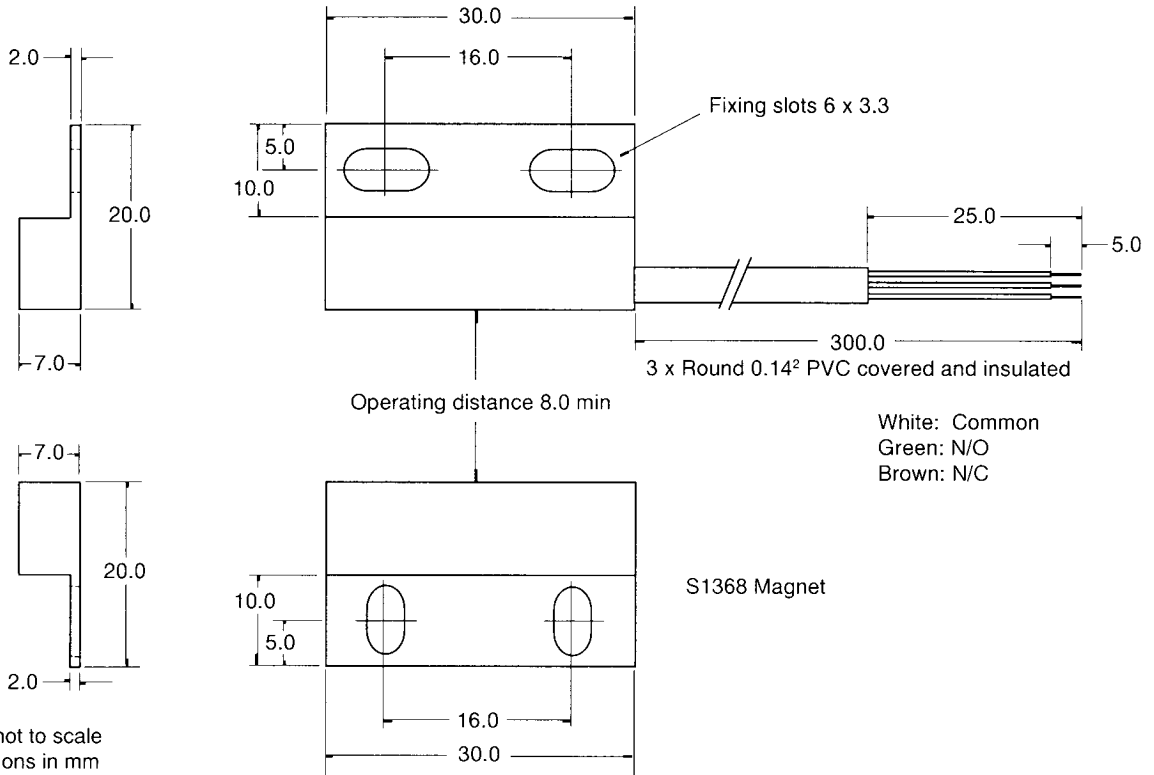


ASSEMtech Europe Ltd

PRODUCT DATA SHEET



Drawings not to scale
All dimensions in mm

SPECIFICATION

CONTACT FORM/STYLE		C/Changover
SWITCHING VOLTAGE	Max. Vac	100
SWITCHING CURRENT	Max. A	0.25
SWITCHING CAPACITY (RESISTIVE)	Max. VA	3
CONTACT RESISTANCE	Max. mΩ	150
SWITCHING DISTANCE	Min. mm	8.0
OPERATING TEMPERATURE	Deg. °C	-20° + 70°
STORAGE TEMPERATURE	Deg. °C	-25° + 70°
CASE MATERIAL		Black Polypropylene

RECTANGULAR MAGNETIC PROXIMITY SWITCHES

PART NUMBER
S1367

Rev. No.	Revision Note	Date	Signature
A	FIRST ISSUE	10.6.97	P.R.



BS5750/ISO 9000
Reg. No. FM 21080