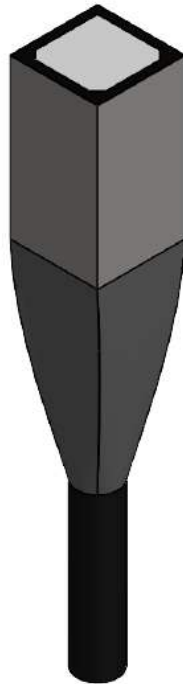




MiiS MCMD Product Specifications



700x700 Micro-Camera Module Technical Specifications

Micro-Camera Module (MCM) is a micro-camera solution for endoscope application and especially for the medical endoscopy. It has low voltage, high-performance, high sensitivity global shutter pixel and special design for medical endoscopic applications. MiiS applies the advanced package technology to integrate the micro-lens, CMOS image sensor (CIS) and high quality micro-cables to make this micro-camera module with ultra-small form factor. The micro-camera module delivers the signal through micro coaxial cables to a matched ISP and shows the high quality images, that is, makes a minimal size of endoscopes come true. The MCMD product delivers most compact size of 700x700 pixels camera module in worldwide and especial suitable for the ultra-small size endoscopic applications.



Absolute Maximum Ratings

Table 1 MCMD Absolute Maximum Rating

Parameters	Value	Unit	Remark
V _{DD} (with respect to GND)	4.5	Volt	
Voltage to any IO	-0.3 to V _{DD-IO} +1	Volt	
Current to any IO	200	mA	
Ambient Storage Temp.	-20 ~ +85	°C	

General Specifications

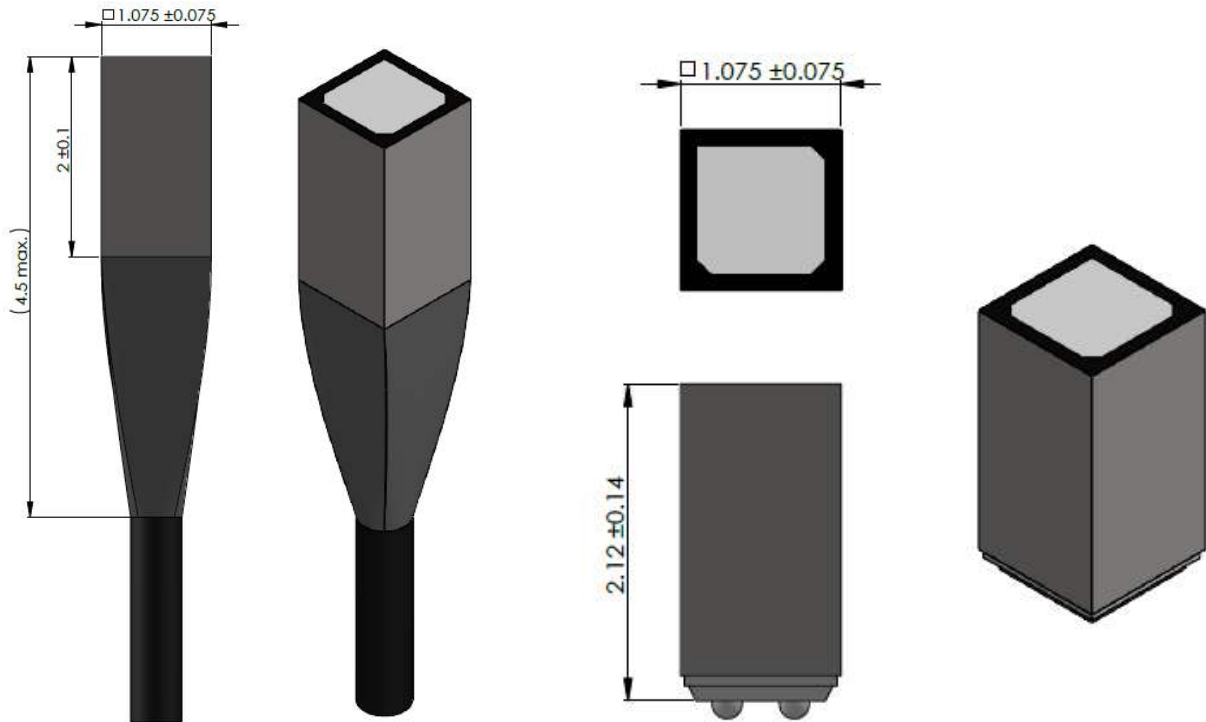
Table 2 MCMD General Specifications

Parameters	Unit	Value	Remark
MCM Dimension	mm	1.075x1.075	Max. L=4.5mm
Resolutions	Pixels	700 x 700	
Sensing Area	um	733.824 x 733.824	
Field of View (Horizontal)	Degree	86	+/- 3
Field of View (Diagonal)	Degree	120	+/- 3
F Number	/	5.0	
Depth of Field	mm	2 ~ 60	
TV Distortion	/	< 11%	@ 95% field
Frame Rate	fps	30 / 40 / 60	Relative Resolutions 490K / 360K / 160K
IR Band Pass Filter	nm	660 +/- 10	50% cut-off
Cable Diameter	mm	0.55 / 0.75	Depend on Length
Cable Length	mm	Max. 5000	Depend on Dia.



Mechanical Drawings

Model Name: MCMD490120 Series



1. Dimensions are in millimeters.
2. Tolerances unless mentioned are ± 0.1 mm.