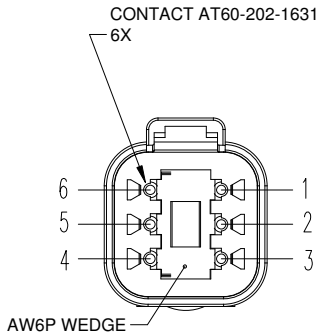


NOTES: UNLESS OTHERWISE SPECIFIED

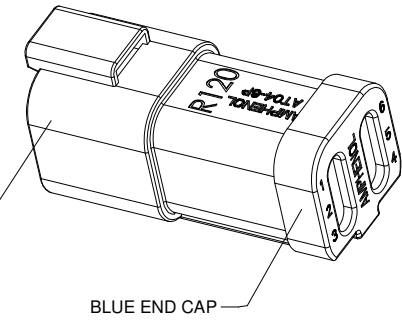
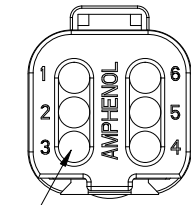
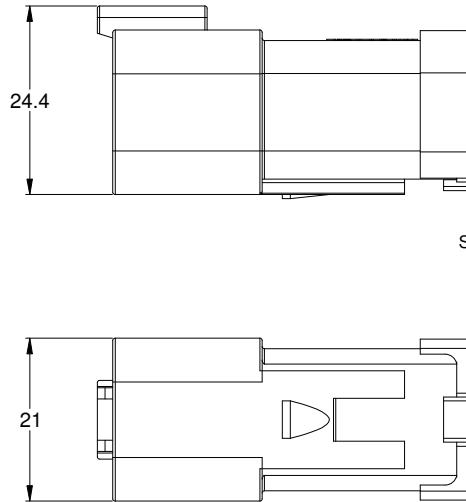
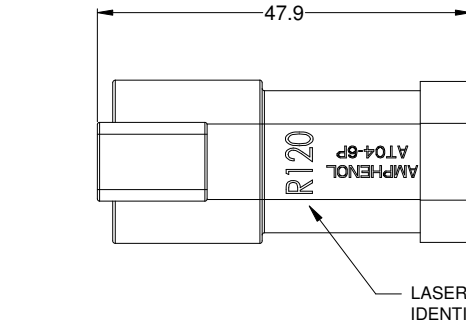
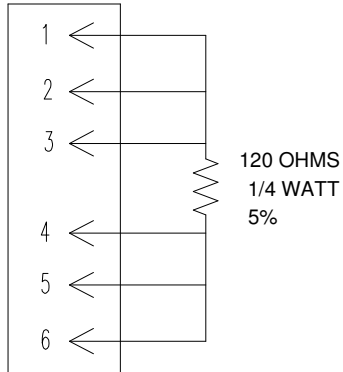
⚠ ALL DIMENSIONS ARE FOR REFERENCE ONLY.

⚠ PART NUMBER AT04-6P-R120BL COMES FULLY ASSEMBLED READY FOR INSTALLATION.

⚠ COLOR TO BE SINE SYSTEMS STANDARD 'AT' BLUE



WIRING DIAGRAM



REVISIONS					
REV	ECO	DESCRIPTION	DATE	BY	APPR
A1	-	RELEASE	17JUN15	RFC	

TITLE: RECEPT, 6-WAY AT, 120 OHM TERMINATOR
 DWG NO: AT04-6P-R120BL
 REV: A1
 SH: 1
 OF: 1

AT04-6P-R120BL		DESCRIPTION		ITEM
QUANTITY	PART NUMBER	MATERIALS LIST		
UNLESS OTHERWISE SPECIFIED		SIGNATURES		DATE
1) All dimensions are in metric(mm).		DRAWN: R. CURRY		12JUN15
2) Tolerances are as follows:		CHECKED:		
1) PL DEC ±0.30 Fractions ±1/64		ENGINEER:		
2) PL DEC ±0.15 Angles ±1°		APPROVAL:		
3) Note reference = ⚠		CUSTOMER:		
MATERIAL SPECIFICATIONS:		THIS DRAWING IS SUPPLIED FOR INFORMATION ONLY. DESIGN FEATURES, SPECIFICATIONS AND PERFORMANCE DATA SHOWN HEREON ARE THE PROPERTY OF THE AMPHENOL CORPORATION. NO RIGHTS OF REPRODUCTION ARE IMPLIED. ALL DIMENSIONS ARE SUBJECT TO NORMAL MANUFACTURING VARIATIONS.		
PROCESS SPECIFICATIONS:		E		TYPE
NEXT ASSY:		B C-		DWG NO: AT04-6P-R120BL
		SCALE: NONE		REVISION A1
		SHEET 1		OF 1

Amphenol
 Sine Systems - www.amphenol-sine.com
 44724 Morley Drive
 Clinton Township, MI 48036

RECEPT, 6-WAY AT,
 120 OHM TERMINATOR