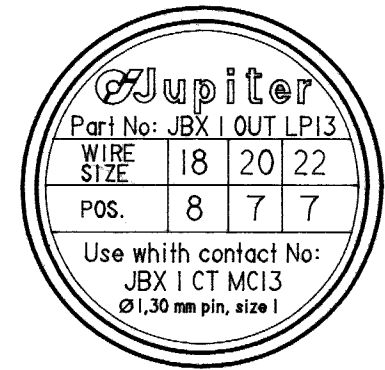
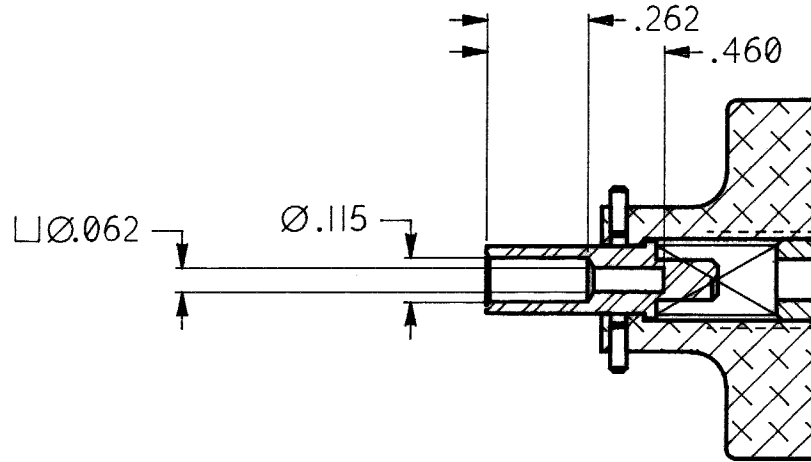
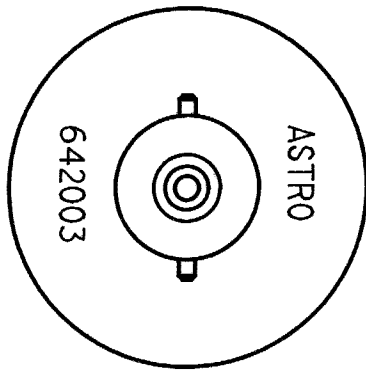


**UNCONTROLLED DOCUMENT  
WILL NOT BE UPDATED**

**FILE# 642003C  
CAD# M642003C**



5. NOTIFY BURNDY/FCI AFTER ANY CHANGES TO DRAWING.
4. REF: JUPITER PART# JBX 1 OUT LPI3.
- 3.
2. THIS IS A CUSTOMER REFERENCE DRAWING, TO ORDER USE PART # 642003.
1. THIS IS A CAD DRAWING DO NOT CHANGE MANUALLY

NOTES:

FILE COPY NOV 18 1993

2	DESCRIPTION	BY	DATE	APR.	<p>THESE DRAWINGS, SPECIFICATIONS OR OTHER DATA ARE AND REMAIN THE PROPERTY OF ASTRO TOOL CORP. AND MUST BE RETURNED UPON REQUEST. THEY CONTAIN INFORMATION OWNED AND/OR DEVELOPED BY ASTRO AT ITS OWN PRIVATE EXPENSE AND MAY NOT BE USED, DUPLICATED OR DISCLOSED TO OTHERS, IN WHOLE OR IN PART FOR DESIGN, MANUFACTURE, OR PROCUREMENT WITHOUT THE WRITTEN PERMISSION OF ASTRO TOOL CORP. EACH AND EVERY TIME.</p>	SCALE:	UNLESS OTHERWISE SPECIFIED:	<p>DECIMALS:</p> <p>.XXX ± .005</p> <p>.XX ± .010</p> <p>.X ± .030</p>	<p>ANGLES:</p> <p>± 1°</p>	<p><b>ASTRO TOOL CORP.</b></p> <p>21615 S.W. TUALATIN VALLEY HWY., BEAVERTON OR 97006</p>	CAGE 58164
						DWN BY:					DESCRIPTION:
						2:1				POSITIONER ASSEMBLY	
						GM				<b>PART NO.   A   642003C</b>	
						DATE:					
						4-7-93					
						APPROVED:					