

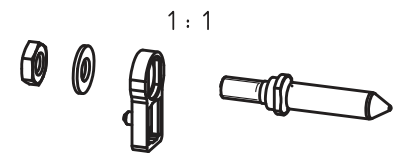
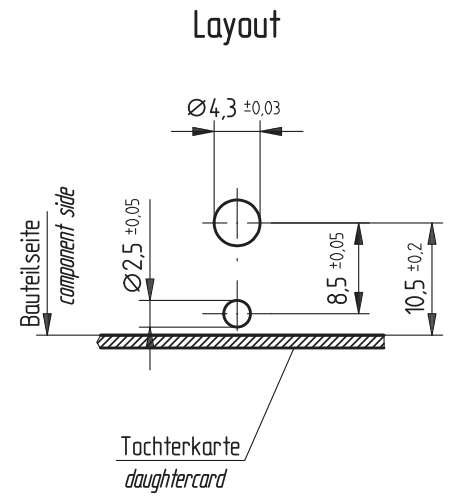
134734
Grundkörper
housing

833986
Schnarrscheibe S 4 rostfrei
"schnarr" washer

823976
Sechskantmutter rostfrei ISO 4035 - M4 ¹⁾
nut

1) maximales Anzugsmoment: 200 Ncm
dargestellt: 144131

Bausatz in Polybeutel verpackt



214364	13,8	144742
214363	11,5	144741
Ident.-Nr.	A	Stift-Ident.-Nr.

Information:	Tolerances	 All Dimensions in mm	Scale	2:1
	All rights reserved. Only for information. To insure that this is the latest version of this drawing, please contact one of the ERNI companies before using.		Designation Führungsbolz., vergold. Bausatz <i>ERmet Guiding System, Kit</i>	
Subject to modification without prior notice. Drawing will not be updated.		 www.ERNI.com	214380	
Index	Date	V:00045912.SZA	ERMBGR	